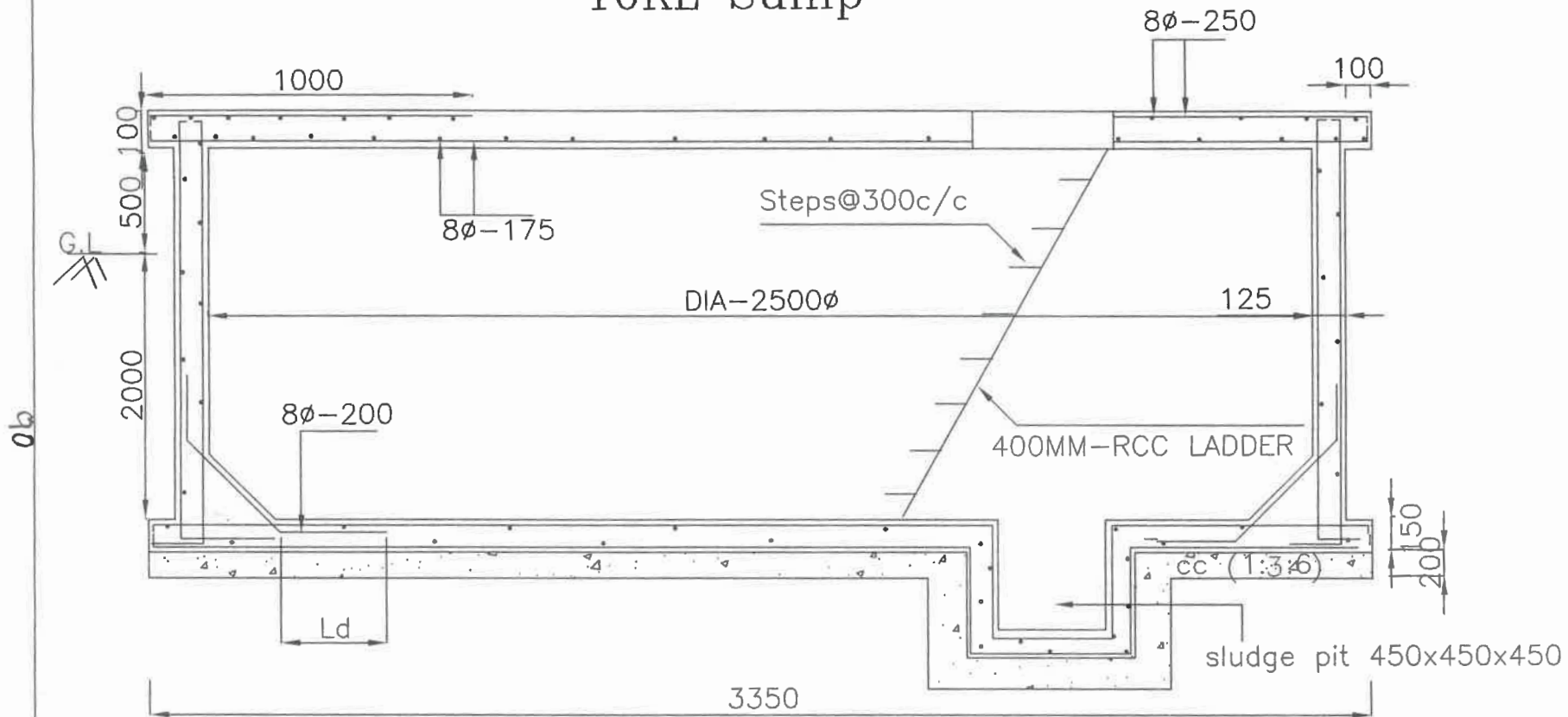


10KL Sump



All dimensions are in 'mm'

Concrete mix V.R.C.C M30

Steel Fe-415

Reinforcement Details shall be as per IS - SP34

SBC OF SOIL = 20T/sqm

Depth of water table is -1.0m below GL

Note: provide sand bed as per site conditions and verify the uplift condition before grounding the work, if depth of water table < 1.0m below GL

H.T. Saitoja
Asst Executive Engineer

POR
Dy. Executive Engineer

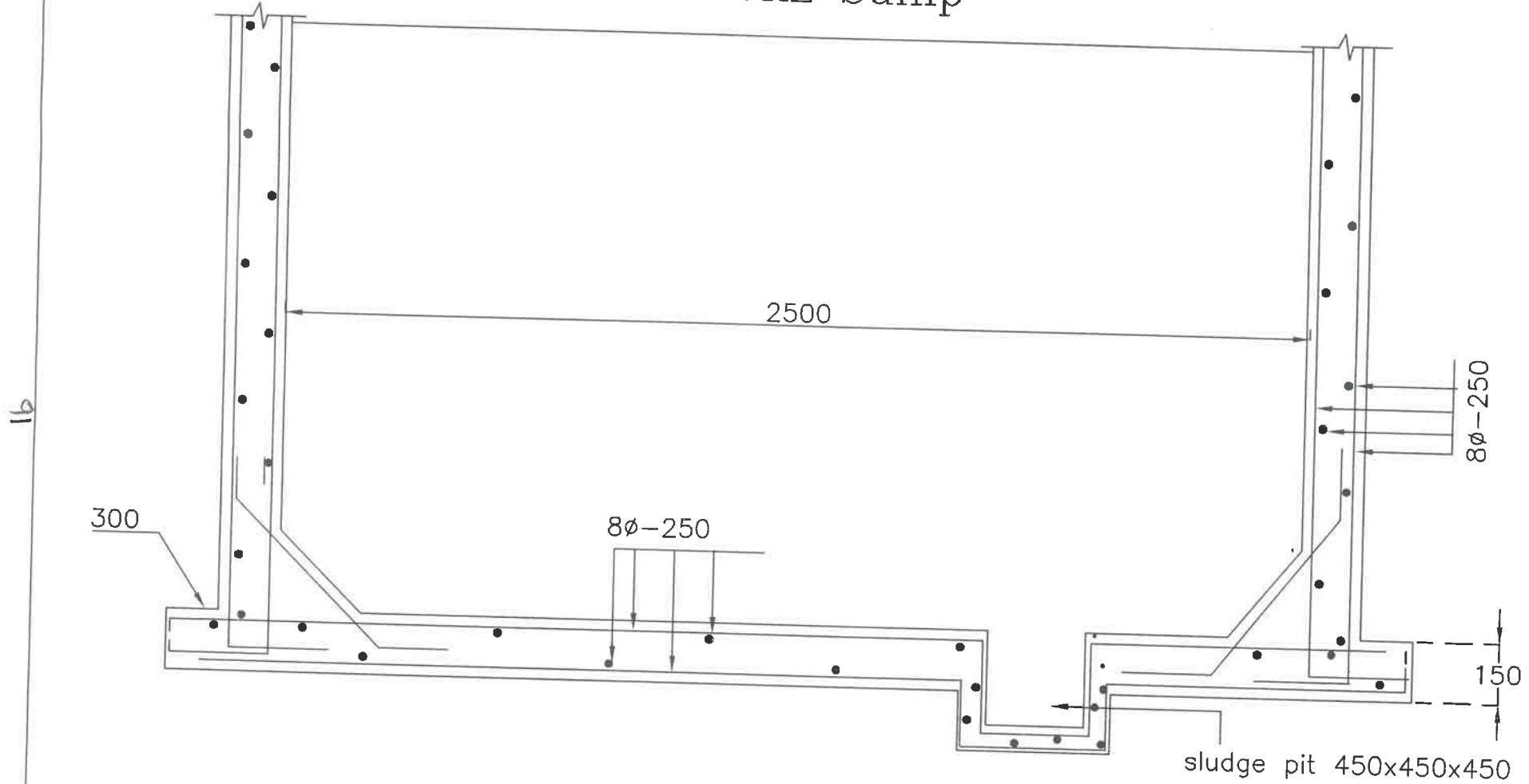
Y.S
Executive Engineer

//Approved//
Chief Engineer
RWS&S, Gollapudi
Vijayawada.

SCHEME:

DWG.NO.1

10KL Sump



H. C. Sailaja
Asst Executive Engineer

POR
Dy. Executive Engineer

Y. S.
Executive Engineer

// Approved //
RWS
Chief Engineer
RWS&S, Gollapudi
Vijayawada.

SCHEME:

DWG. NO. 2