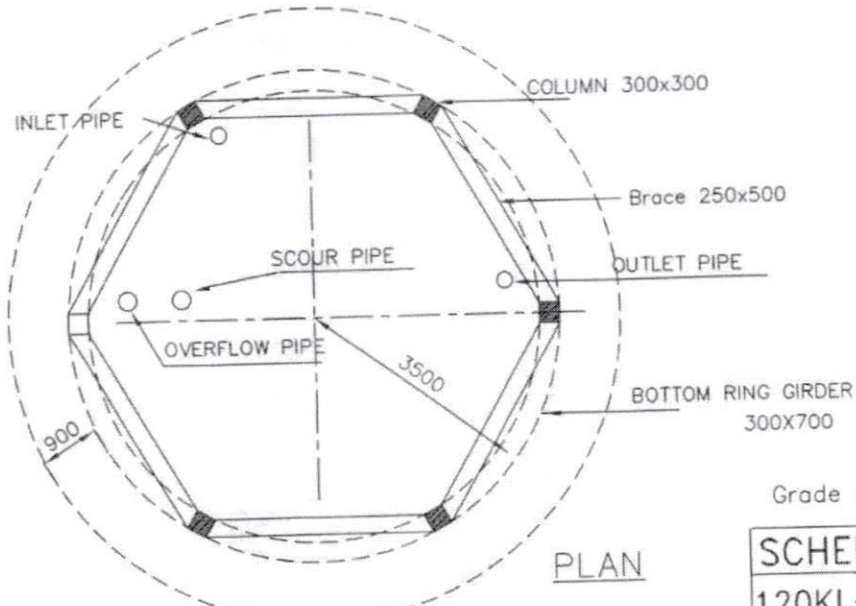


SECTIONAL ELEVATION

CONDITIONS

1. Concrete (All members) : M30
2. Steel : Tor 40, Fe415
3. Clear minimum cover :
 - Side walls : 45MM
 - Top & Bottom slabs : 45MM
 - Beams : 45MM
 - Columns : 45MM
 - Footings : 50MM
4. All dimension are in 'mm' unless specified.
5. The steel should not be overlapped at the junction points
6. Not more than 1/3rd of the bars should be curtailed at a given section
7. Provide Rcc stair case-M30 with RCC railing

RADIUS OF CURVATURE IS 6.00MTS



PLAN

Approved //

Chief Engineer-II
RWS&S, Gollapudi
Vijayawada.

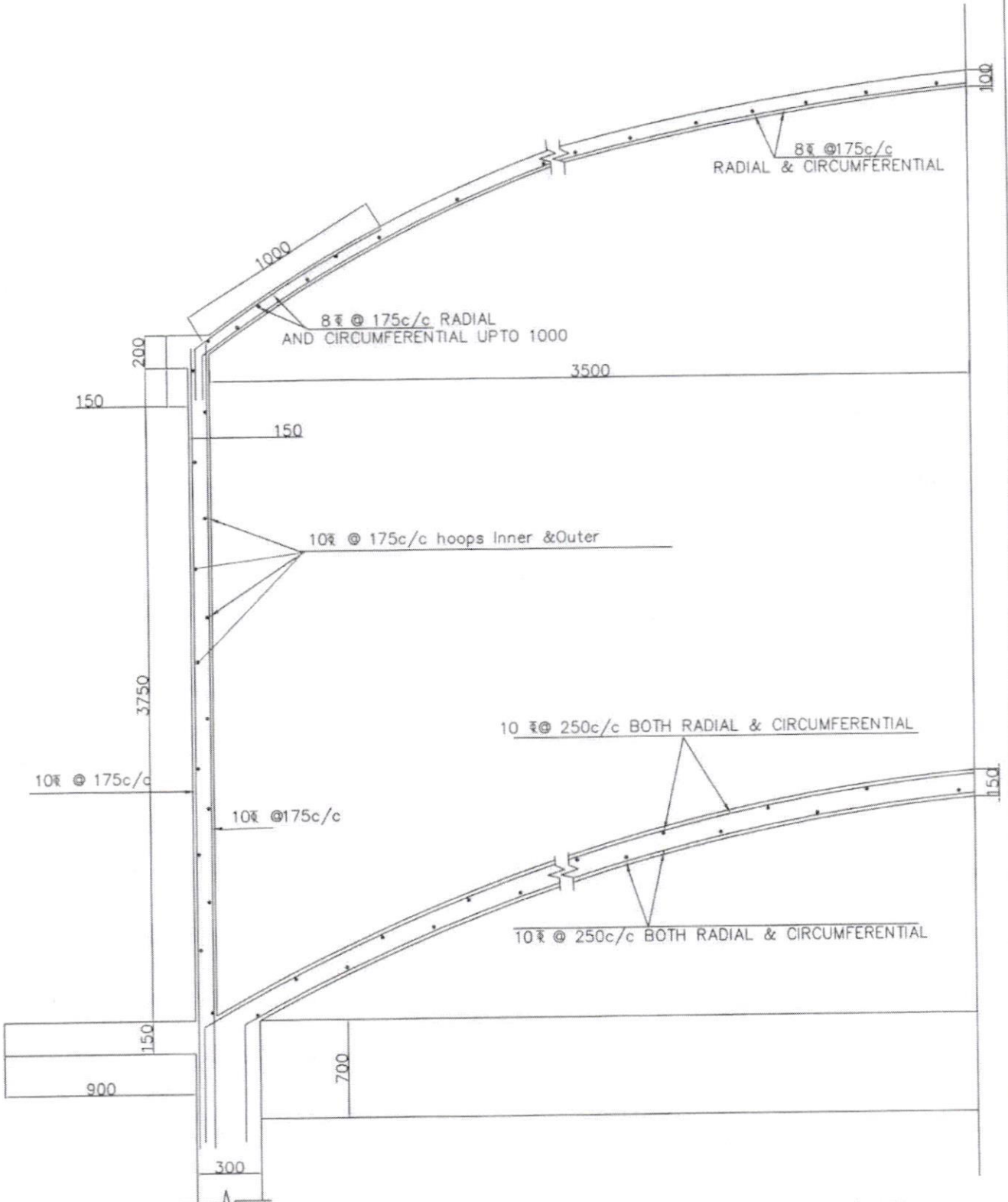
Grade of concrete : M30

SCHEME:

120KL-O.H.S.R-13.15m stg

Asst Executive Engineer

Dy. Executive Engineer



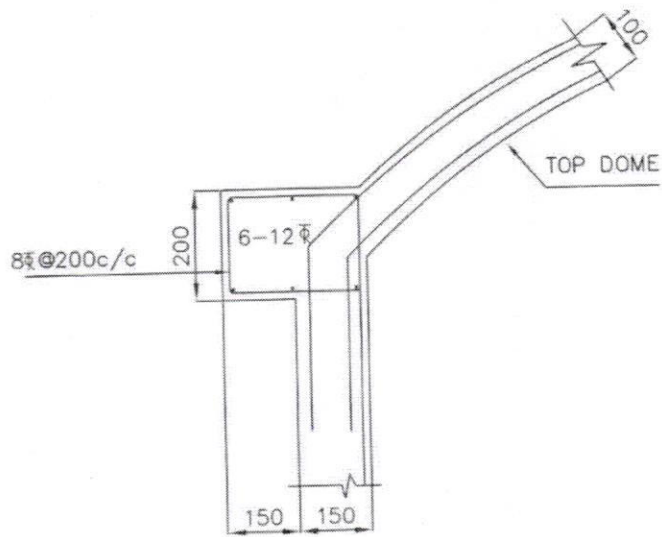
DETAILS OF SIDE WALL, TOP & BOTTOM DOMES
Grade of concrete : M30

POB
Asst Executive Engineer

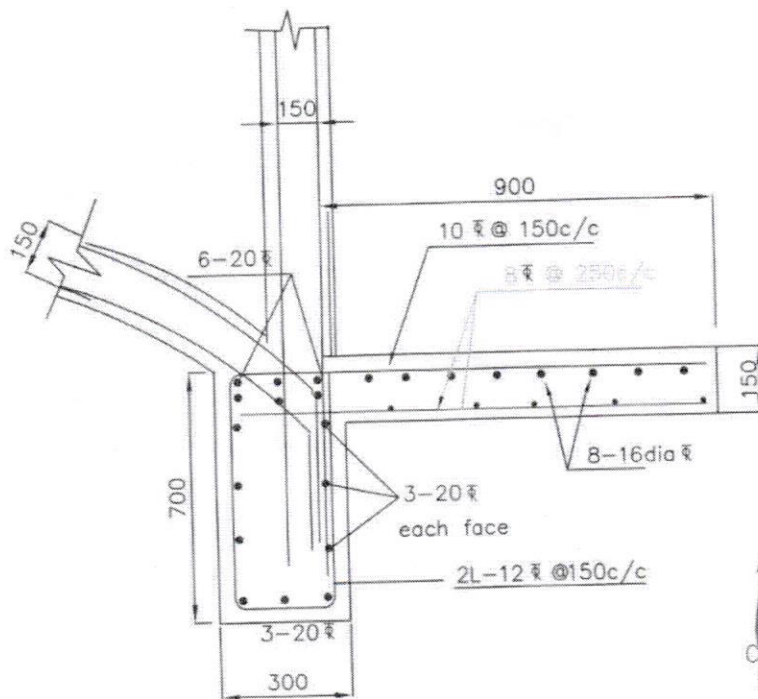
SJS
7.2.2019
Dy.Executive Engineer

[Signature]
Approved//
Chief Engineer-II
RWS&S, Gollapudi
Vijayawada.

SCHEME:
120KL-O.H.S.R-13.15m stg



DETAILS OF TOP RING BEAM



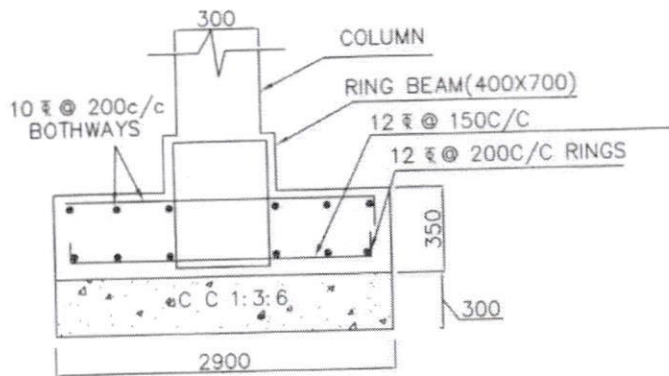
Approved //
 Chief Engineer-II
 RWS&S, Gollapudi
 Vijayawada.

BOTTOM RING BEAM CUM LANDING

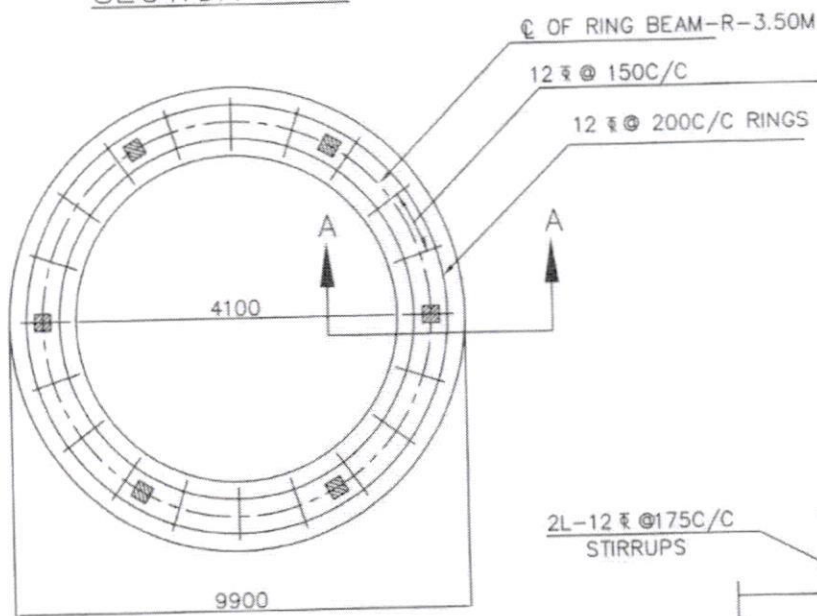
Grade of concrete : M30

ROR
 Asst Executive Engineer
RSD
 Dy. Executive Engineer
 7.2.2019

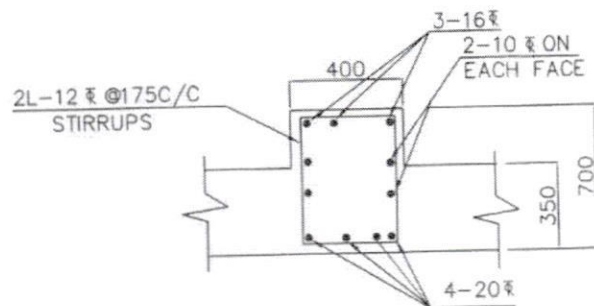
SCHEME:
120KL-O.H.S.R-13.15m stg



SECTION A-A



BOTTOM REINFORCEMENT OF RING FOUNDATION



SECTION OF RING BEAM

NOTE:

1. Grade of concrete : M30
- Grade of steel : Fe415
2. Basic wind speed : 150 KMPH
3. Depth below foundation (above raft) : 2.0M
4. Staging height : 13.15
- Clear height between the braces : 2.70
- No of stagings : 4
5. Nos of 16 diagonal bars shall be provided at column brace junction

6. For detailing of reinforcement IS Sp-34 shall be followed
7. All covers minimum 45mm


 Asst Executive Engineer


 Dy. Executive Engineer

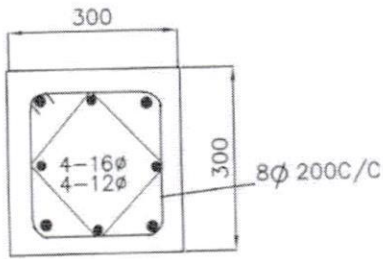
/ Approved //

 Chief Engineer-II
 RWS&S, Gollapudi
 Vijayawada.

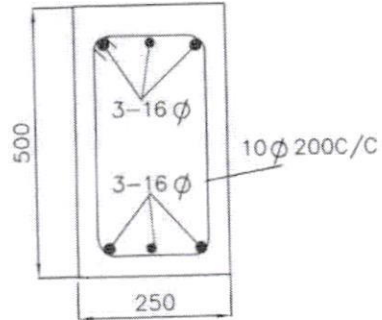
SCHEME:

120KL-OHSR-13.15M STG

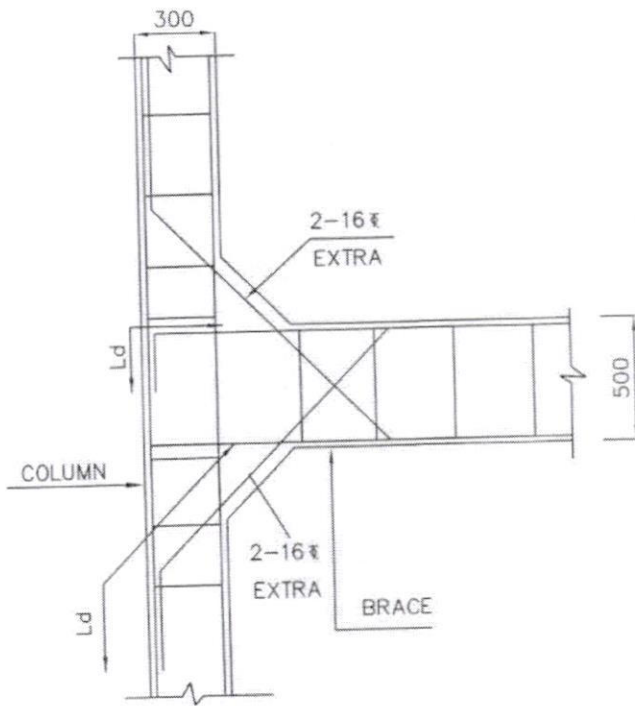
SBC OF SOIL-5T/M²



SECTION OF COLUMN



SECTION OF BRACE



COLUMN BRACE JUNCTION

Grade of concrete : M30

BR

Asst Executive Engineer

SJM
7.2.2019

Dy. Executive Engineer

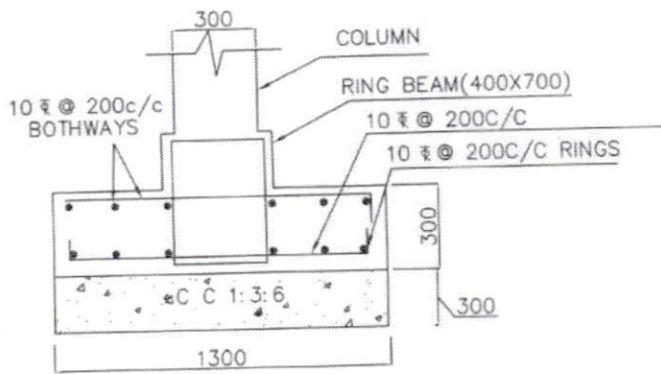
// Approved //

[Signature]
Chief Engineer-II
RWS&S, Gollapudi
Vijayawada.

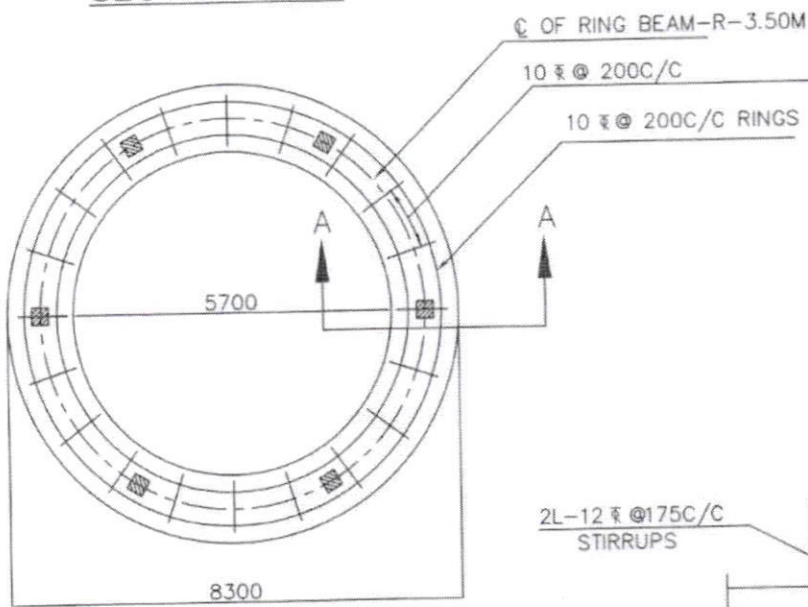
SCHEME:

120KL-O.H.S.R-13.15m stg

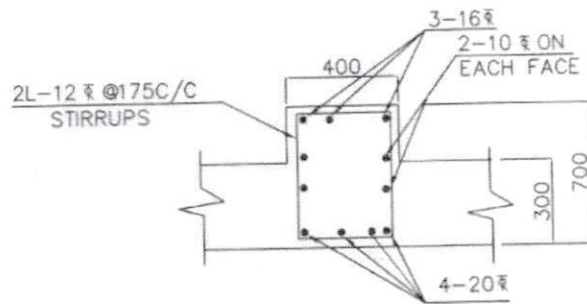
wind speed : 150 KMPH



SECTION A-A



BOTTOM REINFORCEMENT OF RING FOUNDATION



SECTION OF RING BEAM

NOTE:

- | | |
|---------------------------|------------|
| 1. Grade of concrete | : M30 |
| Grade of steel | : Fe415 |
| 2. Basic wind speed | : 150 KMPH |
| 3. Depth below foundation | : 2.0M |
| 4. Staging height | : 13.15 |

- | |
|--|
| 6. For detailing of reinforcement IS Sp-34 shall be followed |
| 7. All covers minimum 45mm |

Clear height between the braces : 2.70
 No of stagings : 4
 5. 8 Nos of 16 diagonal bars shall be provided at column brace junction

// Approved //

Por
 Asst Executive Engineer

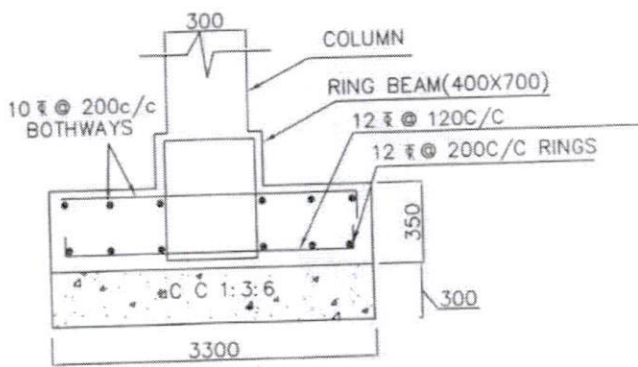
PJB
 7.2.2019
 Dy. Executive Engineer

Chief Engineer-II
 RWS&S, Gollapudi
 Vijayawada.

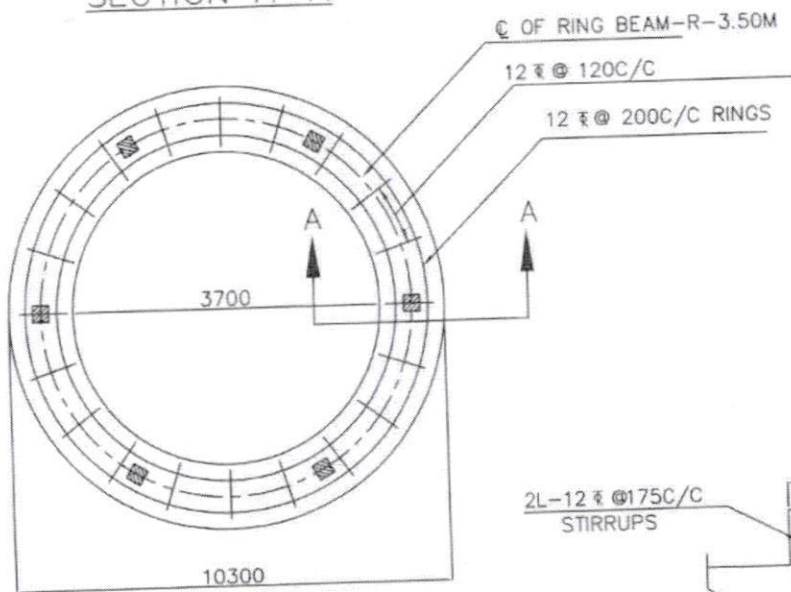
SCHEME:

120KL-OHSR-13.15M STG

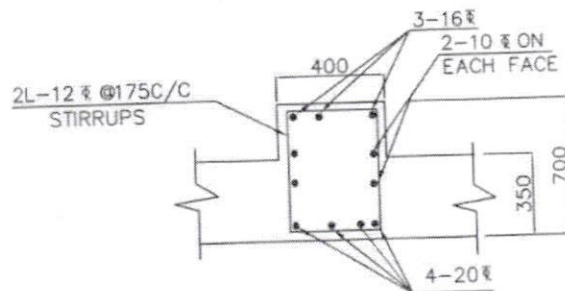
SBC OF SOIL-10T/M²



SECTION A-A



BOTTOM REINFORCEMENT OF RING FOUNDATION



SECTION OF RING BEAM

NOTE:

- | | |
|---|------------|
| 1. Grade of concrete | : M30 |
| Grade of steel | : Fe415 |
| 2. Basic wind speed | : 200 KMPH |
| 3. Depth below foundation | : 2.0M |
| 4. Staging height | : 13.15 |
| Clear height between the braces | : 2.70 |
| No of stagings | 4 |
| 5. Nos of 16 diagonal bars shall be provided at column brace junction | |

- | |
|--|
| 6. For detailing of reinforcement IS Sp-34 shall be followed |
| 7. All covers minimum 45mm |

Asst Executive Engineer

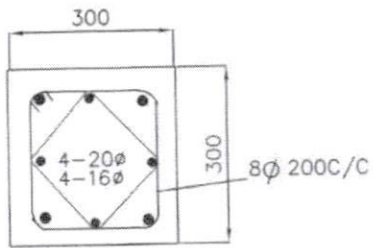
Dy. Executive Engineer

Chief Engineer-II
RWS&S, Gollapudi
Vijayawada.

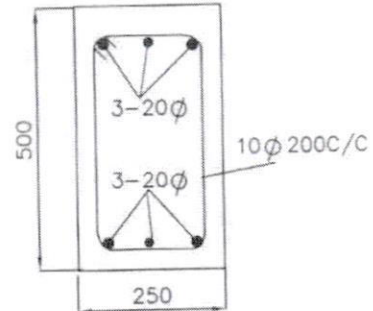
SCHEME:

120KL-OHSR-13.15M STG

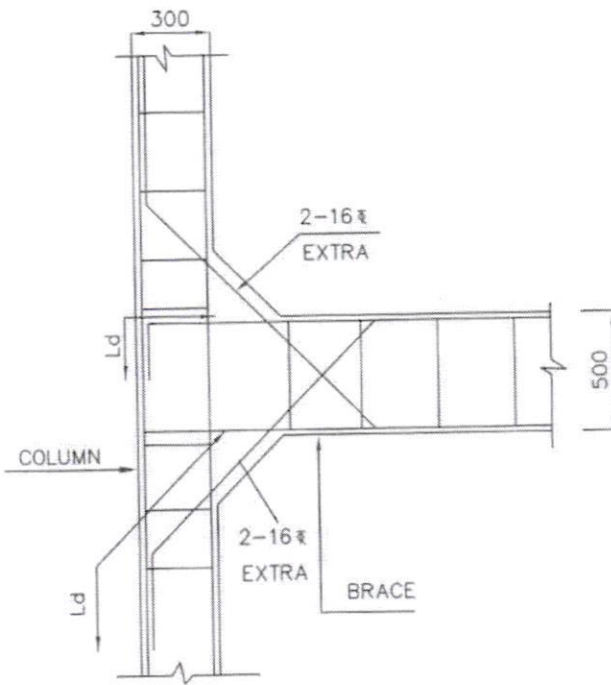
SBC OF SOIL-5T/M²



SECTION OF COLUMN



SECTION OF BRACE



COLUMN BRACE JUNCTION

Grade of concrete : M30

POR
Asst Executive Engineer

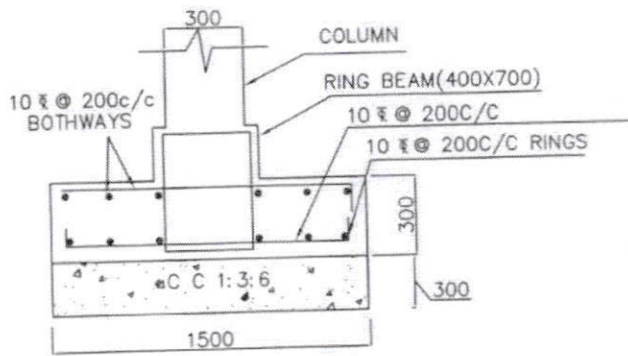
RJB
7.2.2019
Dy. Executive Engineer

// Approved //
Chief Engineer-II
RWS&S, Gollapudi
Vijayawada.

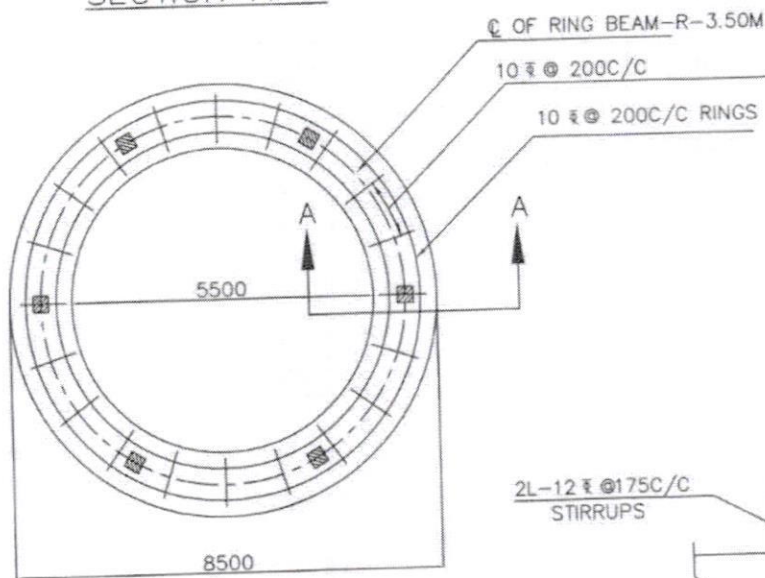
SCHEME:

120KL-O.H.S.R-13.15m stg

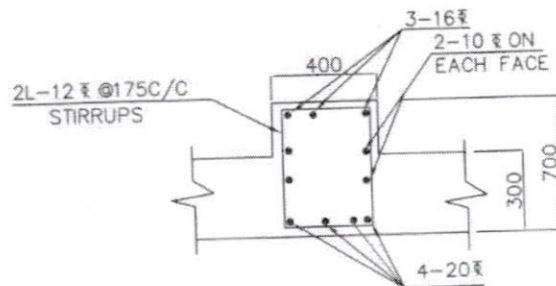
wind speed: 200 KMPH



SECTION A-A



BOTTOM REINFORCEMENT OF RING FOUNDATION



SECTION OF RING BEAM

NOTE:

- | | |
|---|------------|
| 1. Grade of concrete | : M30 |
| Grade of steel | : Fe415 |
| 2. Basic wind speed | : 200 KMPH |
| 3. Depth below foundation | : 2.0M |
| 4. Staging height | : 13.15 |
| Clear height between the braces | : 2.70 |
| No of stagings | 4 |
| 5. Nos of 16 diagonal bars shall be provided at column brace junction | 4 |

6. For detailing of reinforcement IS Sp-34 shall be followed
7. All covers minimum 45mm

Asst Executive Engineer Dy. Executive Engineer

Approved
 Chief Engineer-II
 RWS&S, Gollapudi
 Vijayawada.

SCHEME:
 120KL-OHSR-13.15M STG
 SBC OF SOIL-10T/M²