

//Approved//
[Signature]
 Chief Engineer-
 RWS&S, Gollapudi
 Vijayawada.

SPIRAL STAIR CASE -20KL OHSR

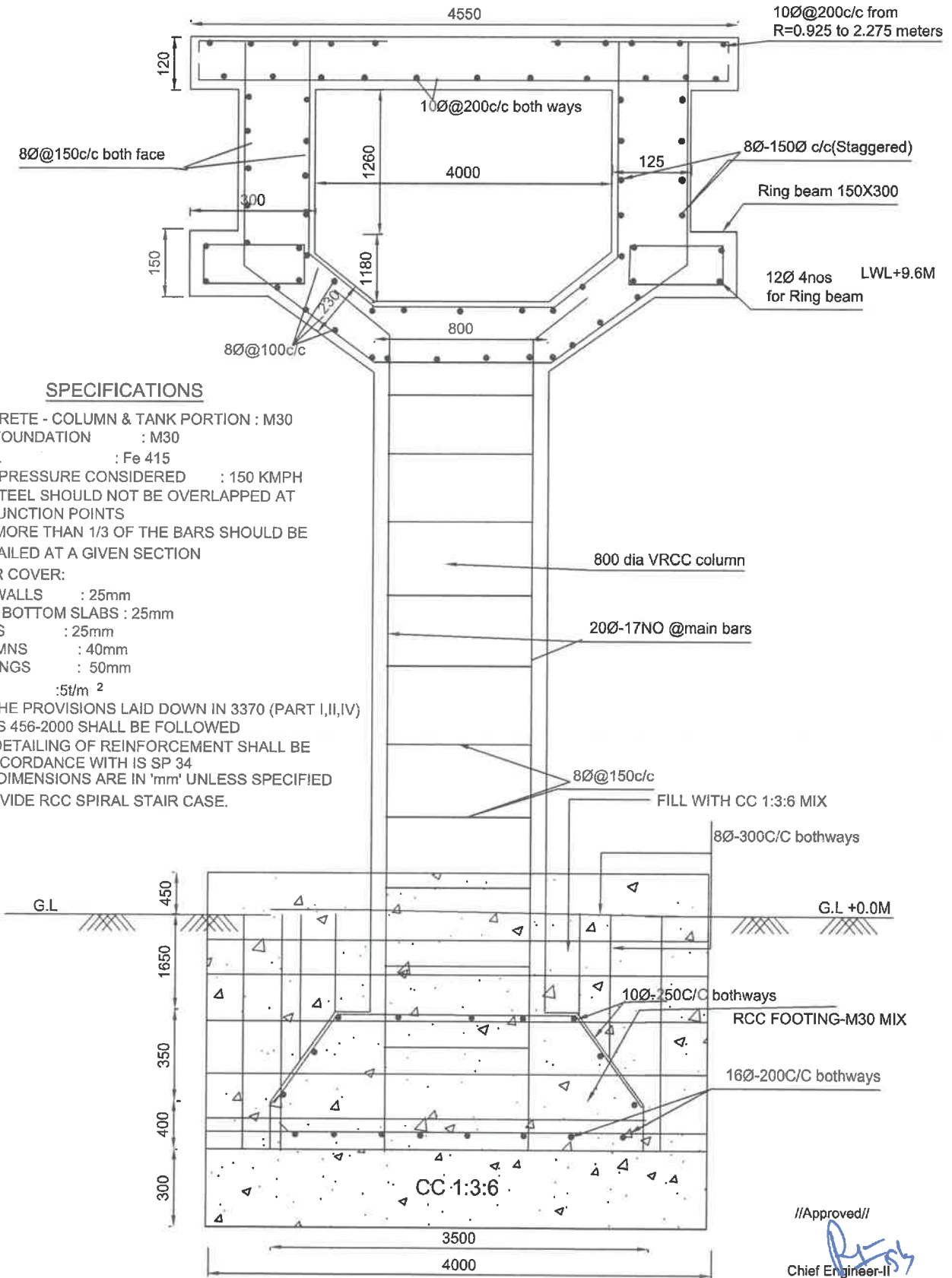
[Signature]
 AEE

[Signature]
 DEE

[Signature]
 EE

SCHEME:
20KL OHSR
9.6M stg

20 K.L CAPACITY O.H.S.R WITH 9.6M STAGING



SPECIFICATIONS

1. CONCRETE - COLUMN & TANK PORTION : M30
FOUNDATION : M30
2. STEEL : Fe 415
3. WIND PRESSURE CONSIDERED : 150 KMPH
4. THE STEEL SHOULD NOT BE OVERLAPPED AT THE JUNCTION POINTS
5. NOT MORE THAN 1/3 OF THE BARS SHOULD BE CURTAILED AT A GIVEN SECTION
6. CLEAR COVER:
SIDE WALLS : 25mm
TOP & BOTTOM SLABS : 25mm
BEAMS : 25mm
COLUMNS : 40mm
FOOTINGS : 50mm
7. S.B.C : 5t/m²
8. ALL THE PROVISIONS LAID DOWN IN 3370 (PART I,II,IV) AND I.S 456-2000 SHALL BE FOLLOWED
9. THE DETAILING OF REINFORCEMENT SHALL BE IN ACCORDANCE WITH IS SP 34
10. ALL DIMENSIONS ARE IN 'mm' UNLESS SPECIFIED
11. PROVIDE RCC SPIRAL STAIR CASE.

<https://rwsengineers.com>

S.B.C : 5.0 T/m²
WIND SPEED-150 KMPH

//Approved//

Chief Engineer-II
RWS&S, Gollapudi
Vijayawada.

NOTE:- PROVIDE INLET, OUTLET, OVER FLOW AND SCOUR PIPES SUITABLE LOCATIONS
PROVIDE SAND FILLING 300MM

H. Sankar
AEE

PUR
DEE

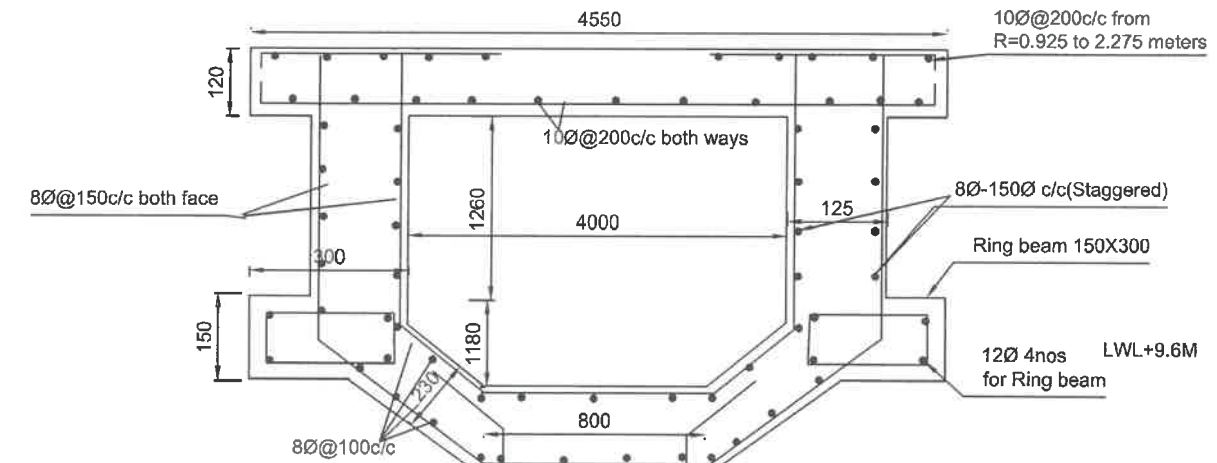
Y.S
EE

SCHEME:

20KL OHSR - 9.6M stg

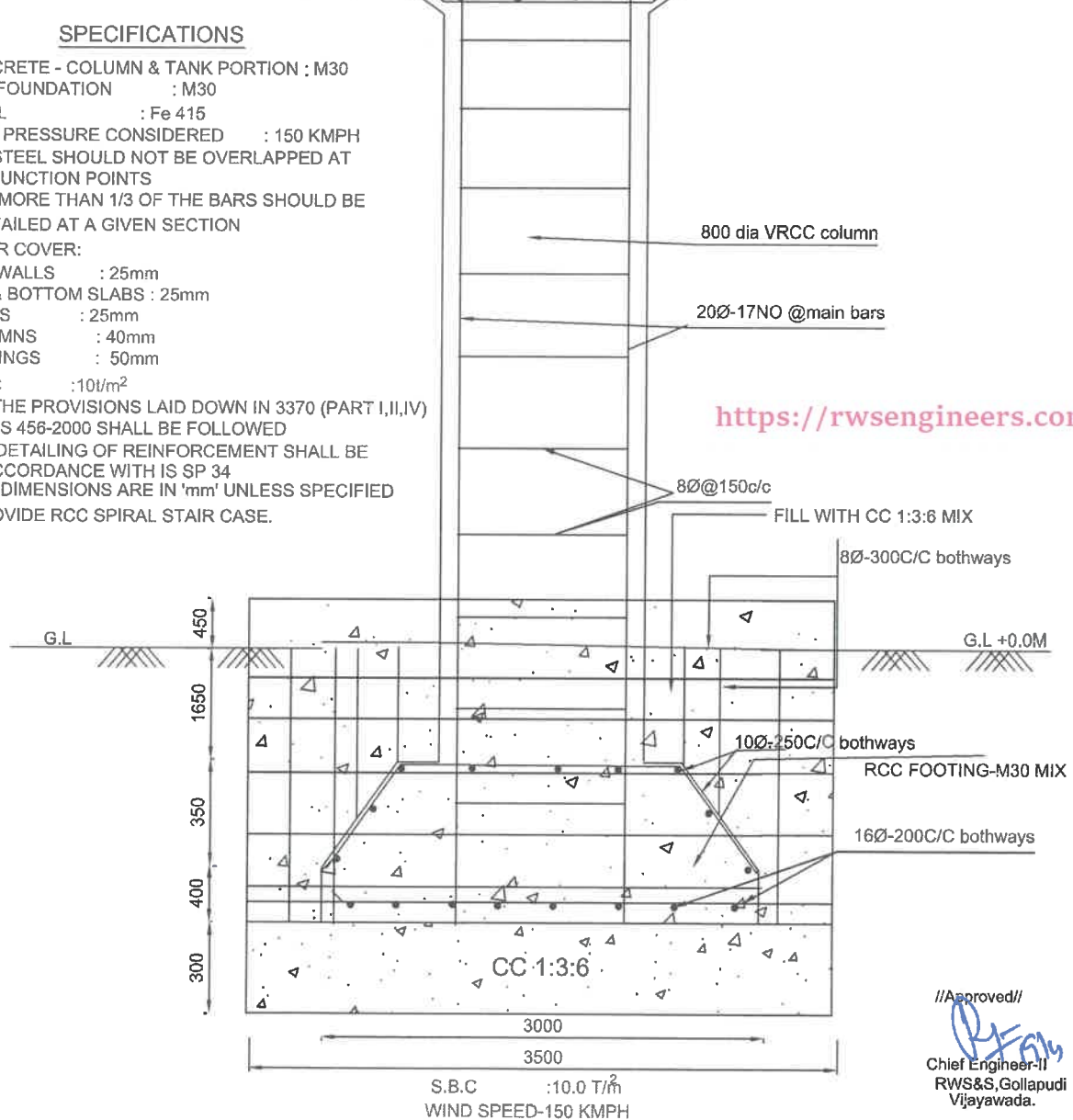
SBC OF SOIL : 5T/M²

20 K.L CAPACITY O.H.S.R WITH 9.6M STAGING



SPECIFICATIONS

1. CONCRETE - COLUMN & TANK PORTION : M30
FOUNDATION : M30
2. STEEL : Fe 415
3. WIND PRESSURE CONSIDERED : 150 KMPH
4. THE STEEL SHOULD NOT BE OVERLAPPED AT THE JUNCTION POINTS
5. NOT MORE THAN 1/3 OF THE BARS SHOULD BE CURTAILED AT A GIVEN SECTION
6. CLEAR COVER:
SIDE WALLS : 25mm
TOP & BOTTOM SLABS : 25mm
BEAMS : 25mm
COLUMNS : 40mm
FOOTINGS : 50mm
7. S.B.C : 10t/m²
8. ALL THE PROVISIONS LAID DOWN IN 3370 (PART I,II,IV) AND I.S 456-2000 SHALL BE FOLLOWED
9. THE DETAILING OF REINFORCEMENT SHALL BE IN ACCORDANCE WITH IS SP 34
10. ALL DIMENSIONS ARE IN 'mm' UNLESS SPECIFIED
11. PROVIDE RCC SPIRAL STAIR CASE.



<https://rwsengineers.com>

//Approved//

Chief Engineer-II
RWS&S, Gollapudi
Vijayawada.

NOTE:- PROVIDE INLET, OUTLET, OVER FLOW AND SCOUR PIPES SUITABLE LOCATIONS
PROVIDE SAND FILLING 300MM

H. Sridhar
AEE

R.R
DEE

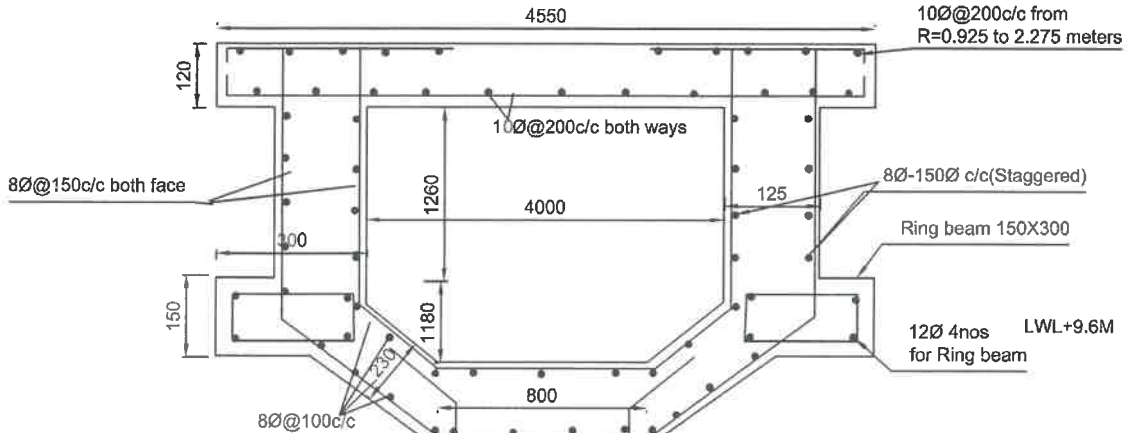
Y.S
EE

SCHEME:

20KL OHSR - 9.6M stg

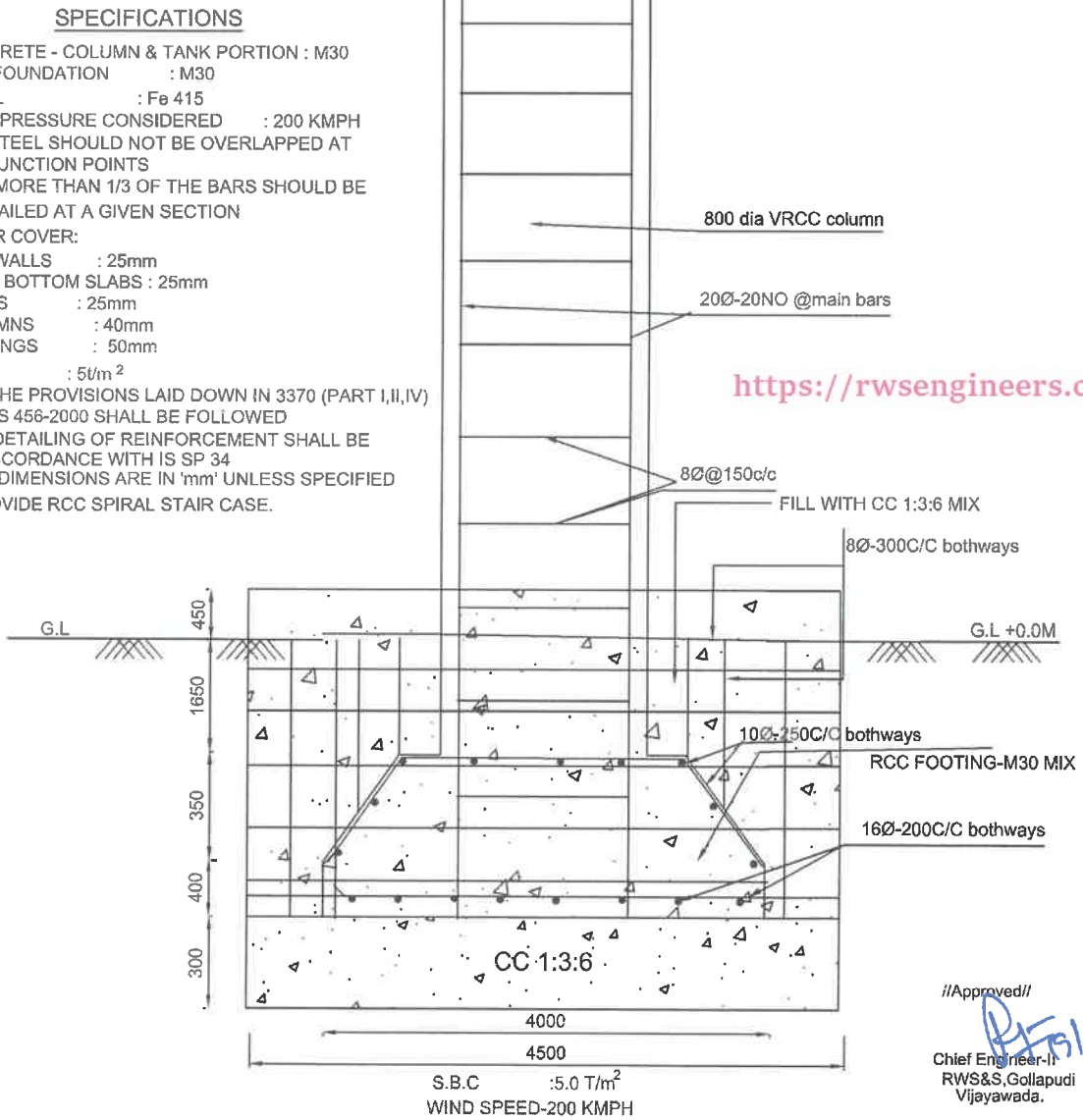
SBC OF SOIL : 10T/M²

20 K.L CAPACITY O.H.S.R WITH 9.6M STAGING



SPECIFICATIONS

1. CONCRETE - COLUMN & TANK PORTION : M30
FOUNDATION : M30
2. STEEL : Fe 415
3. WIND PRESSURE CONSIDERED : 200 KMPH
4. THE STEEL SHOULD NOT BE OVERLAPPED AT THE JUNCTION POINTS
5. NOT MORE THAN 1/3 OF THE BARS SHOULD BE CURTAILED AT A GIVEN SECTION
6. CLEAR COVER:
 - SIDE WALLS : 25mm
 - TOP & BOTTOM SLABS : 25mm
 - BEAMS : 25mm
 - COLUMNS : 40mm
 - FOOTINGS : 50mm
7. S.B.C : $5t/m^2$
8. ALL THE PROVISIONS LAID DOWN IN 3370 (PART I,II,IV) AND I.S 456-2000 SHALL BE FOLLOWED
9. THE DETAILING OF REINFORCEMENT SHALL BE IN ACCORDANCE WITH IS SP 34
10. ALL DIMENSIONS ARE IN 'mm' UNLESS SPECIFIED
11. PROVIDE RCC SPIRAL STAIR CASE.



<https://rwsengineers.com>

//Approved//

Chief Engineer-II
RWS&S, Gollapudi
Vijayawada.

NOTE:- PROVIDE INLET, OUTLET, OVER FLOW AND SCOUR PIPES SUITABLE LOCATIONS
PROVIDE SAND FILLING 300MM

H. Sundaraja
AEE

P.R.
DEE

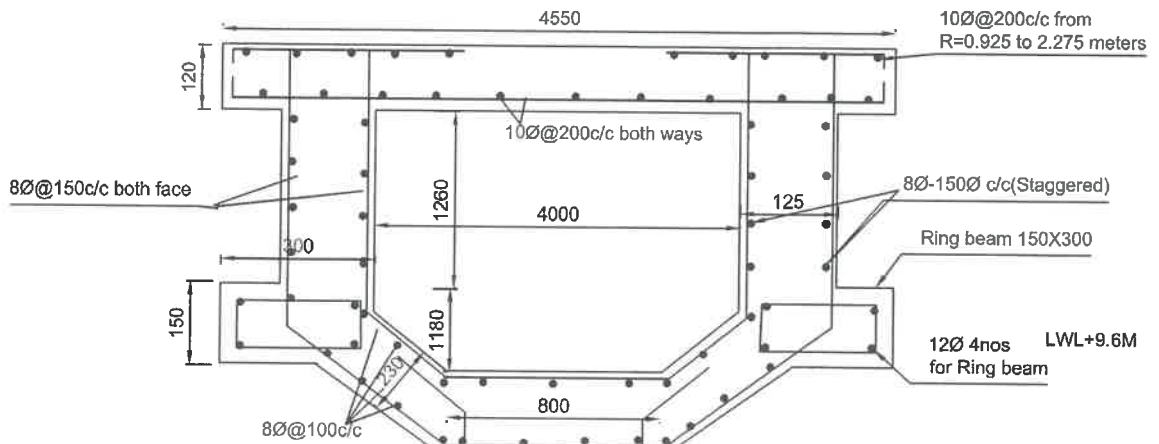
Y.S.
EE

SCHEME:

20KL OHSR - 9.6M stg

SBC OF SOIL : $5T/M^2$

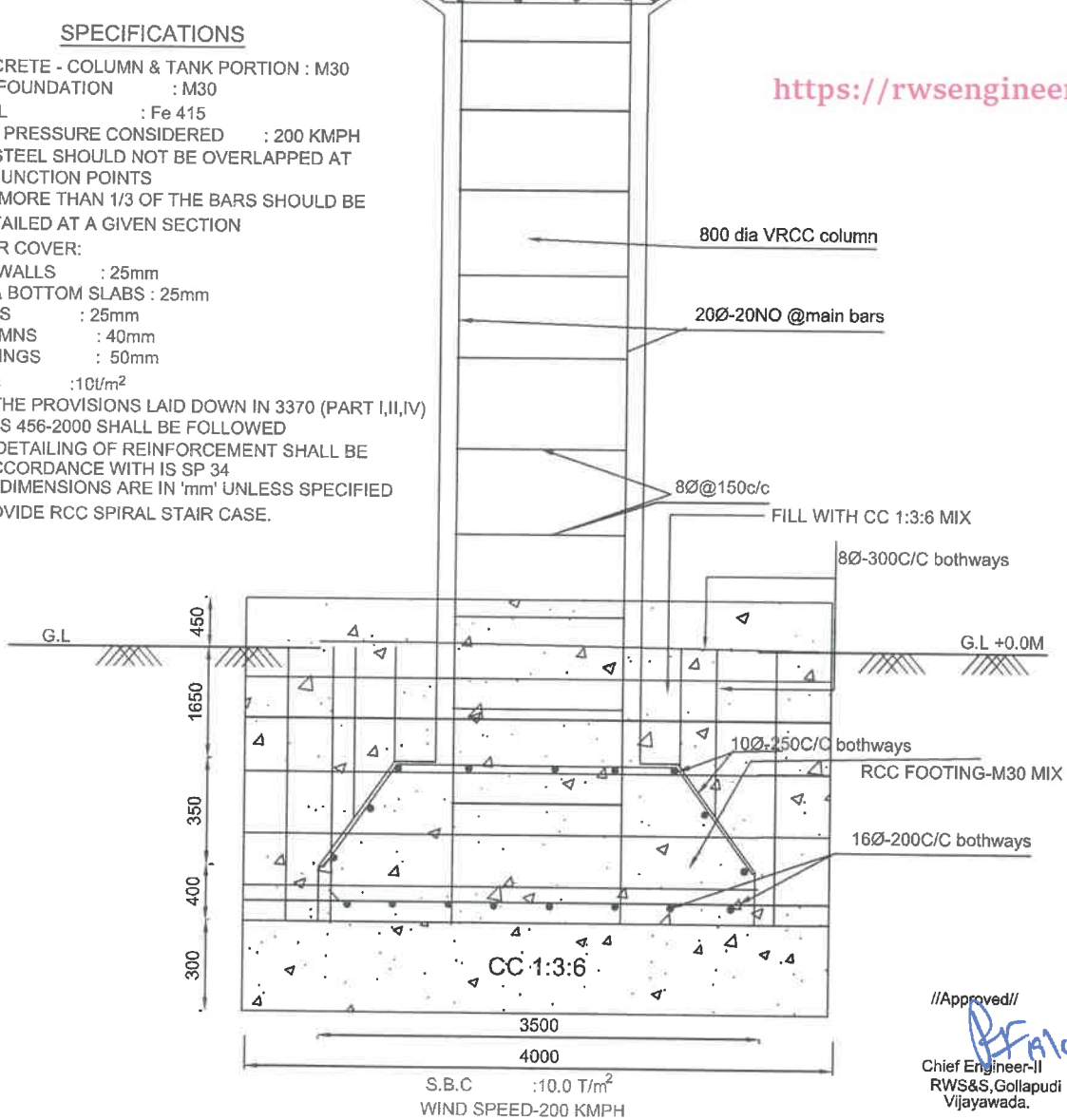
20 K.L CAPACITY O.H.S.R WITH 9.6M STAGING



SPECIFICATIONS

1. CONCRETE - COLUMN & TANK PORTION : M30
FOUNDATION : M30
2. STEEL : Fe 415
3. WIND PRESSURE CONSIDERED : 200 KMPH
4. THE STEEL SHOULD NOT BE OVERLAPPED AT THE JUNCTION POINTS
5. NOT MORE THAN 1/3 OF THE BARS SHOULD BE CURTAILED AT A GIVEN SECTION
6. CLEAR COVER:
 - SIDE WALLS : 25mm
 - TOP & BOTTOM SLABS : 25mm
 - BEAMS : 25mm
 - COLUMNS : 40mm
 - FOOTINGS : 50mm
7. S.B.C : 10t/m²
8. ALL THE PROVISIONS LAID DOWN IN 3370 (PART I,II,IV) AND I.S 456-2000 SHALL BE FOLLOWED
9. THE DETAILING OF REINFORCEMENT SHALL BE IN ACCORDANCE WITH IS SP 34
10. ALL DIMENSIONS ARE IN 'mm' UNLESS SPECIFIED
11. PROVIDE RCC SPIRAL STAIR CASE.

<https://rwsengineers.com>



//Approved//

Chief Engineer-II
RWS&S, Gollapudi
Vijayawada.

NOTE:- PROVIDE INLET, OUTLET, OVER FLOW AND SCOUR PIPES SUITABLE LOCATIONS
PROVIDE SAND FILLING 300MM

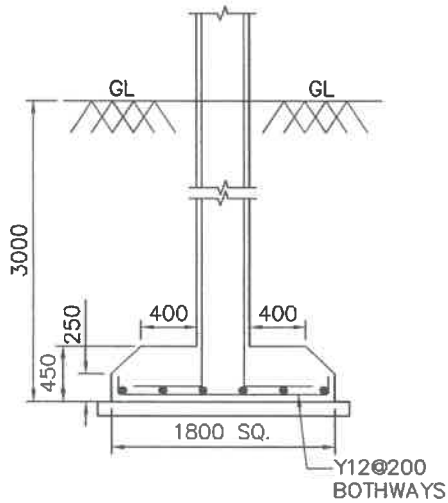
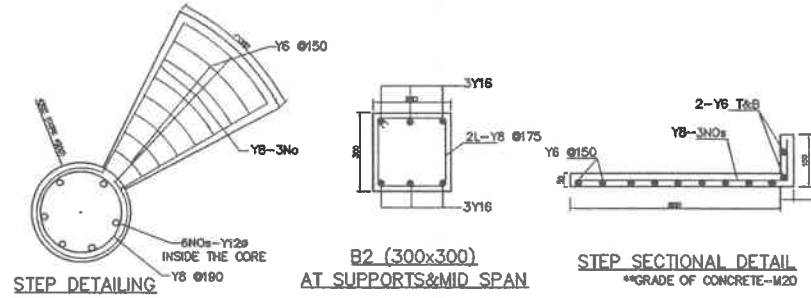
H. Sindhu
AEE

P.R.
DEE

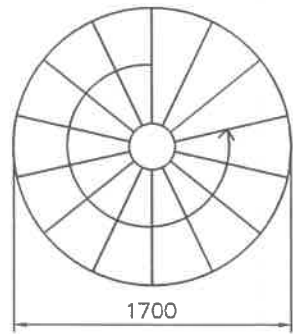
Y-S
EE

SCHEME:
20KL OHSR - 9.6M stg
SBC OF SOIL : 10T/M ²

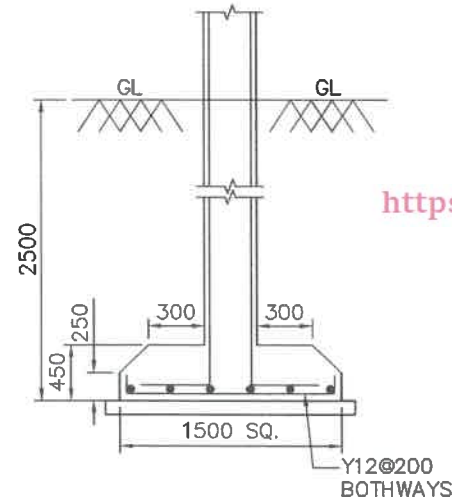
STRUCTURAL DETAILS OF SPIRAL STAIR CASE OHSR/OHBR STAGING UP TO 10.0M



RC DETAILS OF
STAIR FOOTING



PLAN OF SPIRAL
STAIR CASE



RC DETAILS OF
STAIR FOOTING

- NOTE: - 1) SBC \rightarrow \geq 5T/SQM TO $<$ 10T/SQM
2) STAGING UP TO 10.0M ONLY
3) THE DEPTH OF FOUNDATION DEPENDS ON
SBC OF SOIL

- NOTE: - 1) SBC \rightarrow \geq 10T/SQM
2) STAGING UP TO 10.M ONLY
3) THE DEPTH OF FOUNDATION DEPENDS ON
SBC OF SOIL

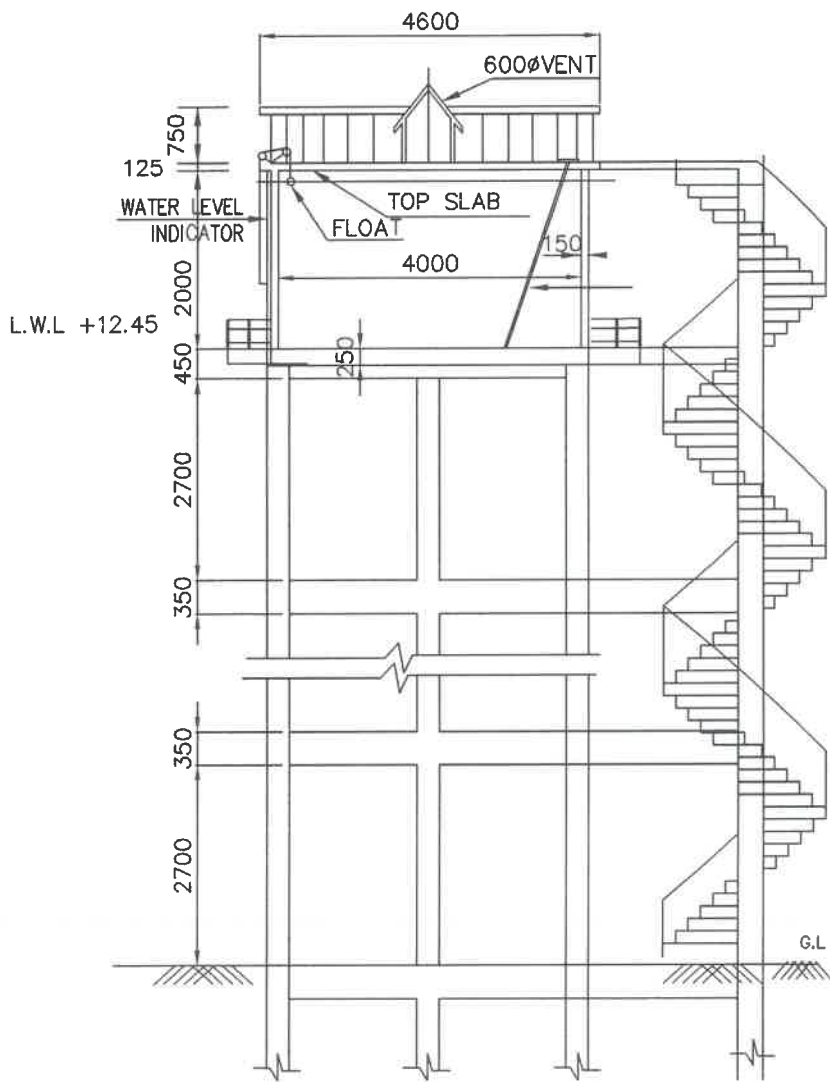
H. Sindya
AEE

P. R
DEE

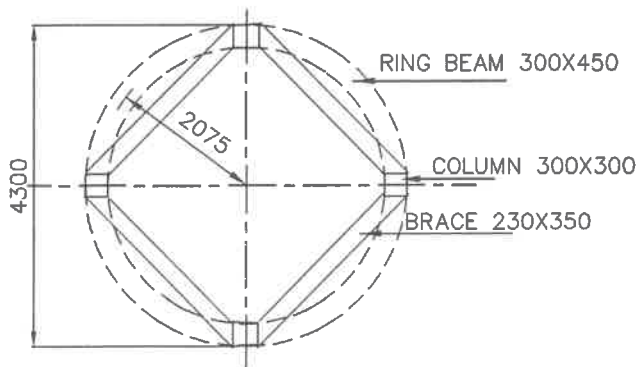
Y. S
EE

// Approved //
Chief Engineer - II
RWS&S, Gollapudi
Vijayawada.

<https://rwsengineers.com>



SECTION ELEVATION



PLAN

// Approved //

RFS
 Chief Engineer-II
 RWS&S, Gollapudi
 Vijayawada.

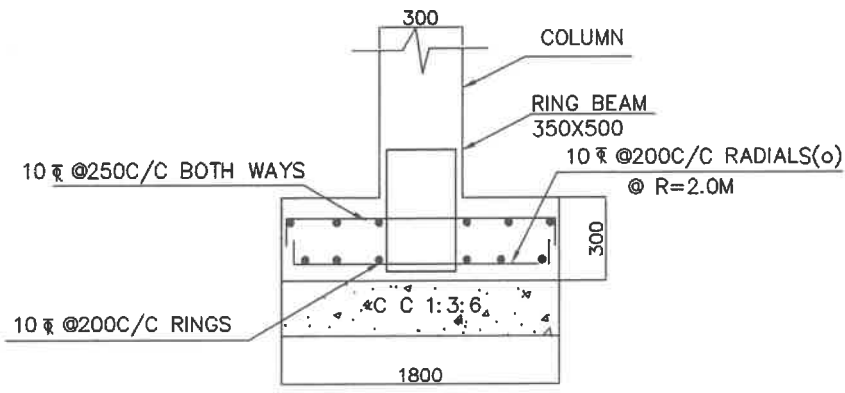
<https://rwsengineers.com>

H. Srinidhi
 AEE

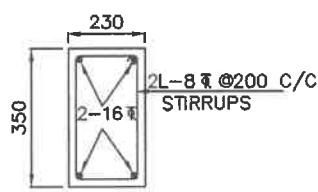
Dee
 DEE

Y.S.
 EE

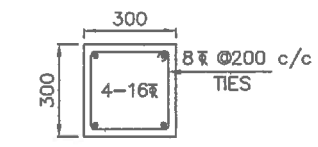
**20KL OHSR WITH
 12.45M STAGING**



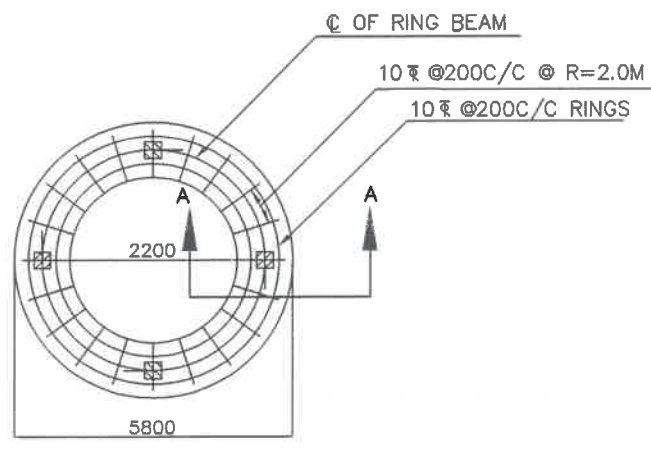
SECTION A-A



SECTION OF BRACE



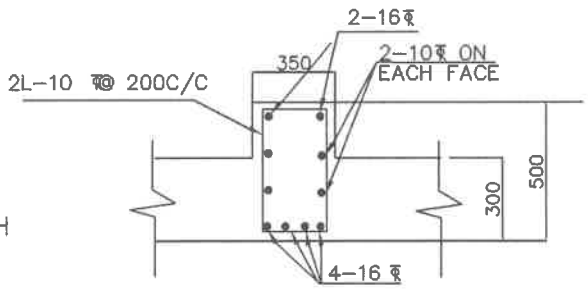
SECTION OF COLUMN



BOTTOM REINFORCEMENT OF RING FOUNDATION

NOTES:

1. Grade of concrete : M30
- Grade of steel : Fe415
2. Depth of foundation : 2.00m
- below G.L upto top of raft
3. Basic wind speed : 150 KMPH
4. Staging height : 12.45M
- Clear height between the braces : 2.70M
- No. of stagings : 4
5. 8 Nos of 12mm diagonal bars shall be provided at column brace junction
6. For detailing of reinforcement I.S SP-34 shall be followed
7. All dimensions are in 'mm' unless specified



SECTION OF RING BEAM

<https://rwsengineers.com>

//Approved//

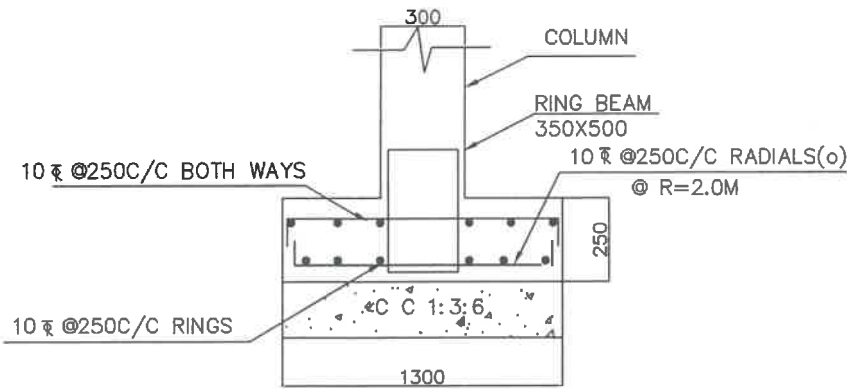
H. Srinivas
AEE

P. R.
DEE

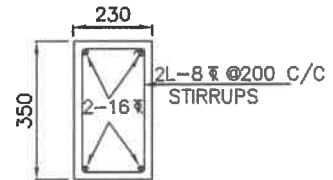
Y. S.
EE

P. K. S.
Chief Engineer-II
RWS&S, Gollapudi
Vijayawada.

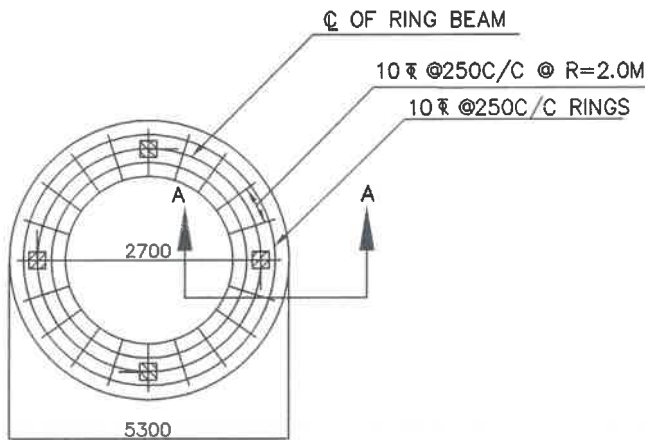
FOUNDATION DETAILS
20K.L OHSR-12.45m
S.B.C OF SOIL 5T/M ²



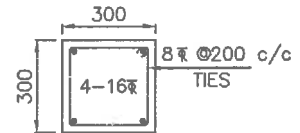
SECTION A-A



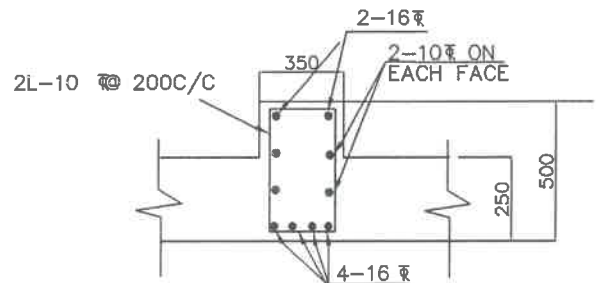
SECTION OF BRACE



BOTTOM REINFORCEMENT OF RING FOUNDATION



SECTION OF COLUMN



SECTION OF RING BEAM

NOTES:

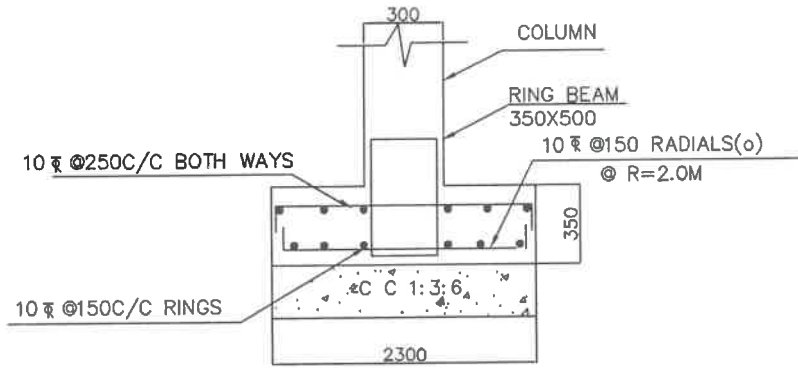
1. Grade of concrete : M30
- Grade of steel : Fe415
2. Depth of foundation : 2.00m
below G.L upto top of raft
3. Basic wind speed : 150 KMPH
4. Staging height : 12.45M
Clear height between the braces : 2.70M
No. of stagings : 4
5. 8 Nos of 12mm diagonal bars shall be provided at column brace junction
6. For detailing of reinforcement I.S SP-34 shall be followed
7. All dimensions are in 'mm' unless specified

<https://rwsengineers.com>

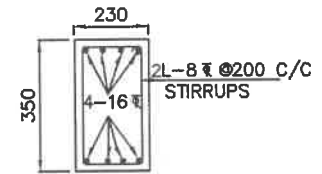
FOUNDATION DETAILS
20K.L OHSR-12.45m
S.B.C OF SOIL 10T/M ²

 AEE
 DEE
 EE

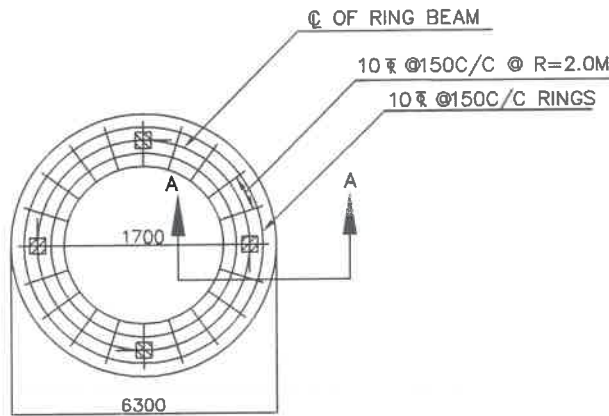
 //Approved//
 Chief Engineer-II
 RWS&S, Gollapudi
 Vijayawada.



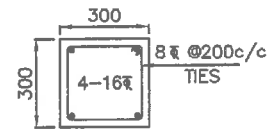
SECTION A-A



SECTION OF BRACE



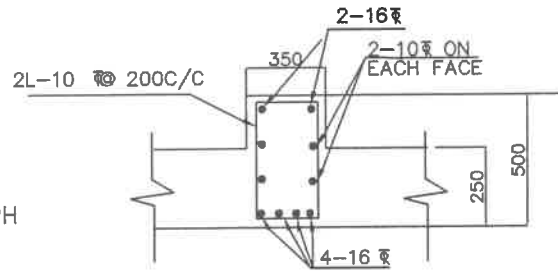
BOTTOM REINFORCEMENT OF RING FOUNDATION



SECTION OF COLUMN

NOTES:

1. Grade of concrete : M30
- Grade of steel : Fe415
2. Depth of foundation : 2.00m
- below G.L upto top of raft
3. Basic wind speed : 200 KMPH
4. Staging height : 12.45m
- Clear height between the braces : 2.70m
- No. of stagings : 4
5. 8 Nos of 12# diagonal bars shall be provided at column brace junction
6. For detailing of reinforcement I.S SP-34 shall be followed
7. All dimensions are in 'mm' unless specified



SECTION OF RING BEAM

<https://rwsengineers.com>

FOUNDATION DETAILS

20K.L OHSR-12.45m

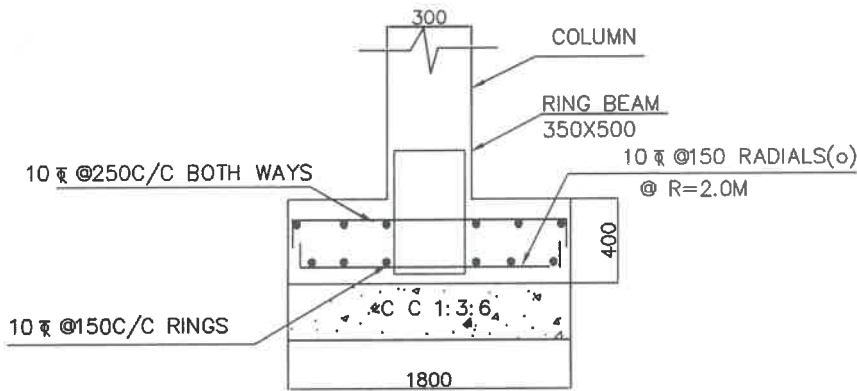
S.B.C OF SOIL 5T/M²

H. Srinivas
AEE

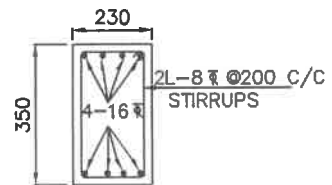
P. R. R.
DEE

Y. S.
EE

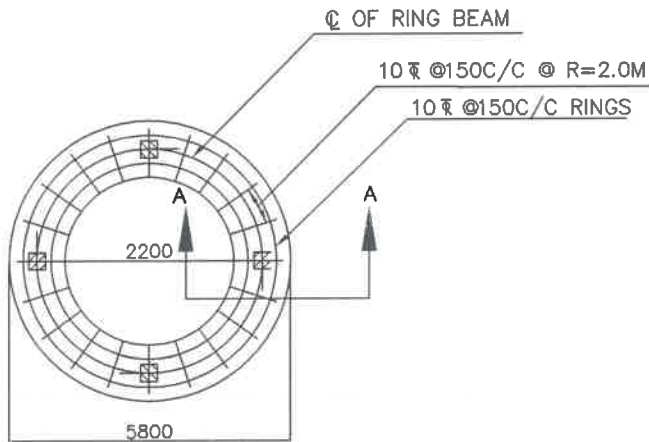
// Approved //
R. Srinivas
Chief Engineer-II
RWS&S, Gollapudi
Vijayawada.



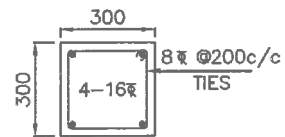
SECTION A-A



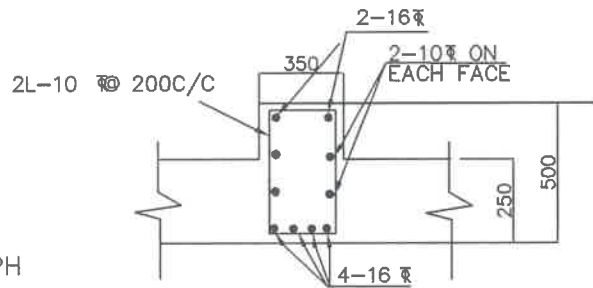
SECTION OF BRACE



BOTTOM REINFORCEMENT OF RING FOUNDATION



SECTION OF COLUMN



SECTION OF RING BEAM

NOTES:

1. Grade of concrete : M30
- Grade of steel : Fe415
2. Depth of foundation : 2.00m
below G.L upto top of raft
3. Basic wind speed : 200 KMPH
4. Staging height : 12.45M
Clear height between the braces : 2.70M
No. of stagings : 4
5. 8 Nos of 12mm diagonal bars shall be provided at column brace junction
6. For detailing of reinforcement I.S SP-34 shall be followed
7. All dimensions are in 'mm' unless specified

<https://rwsengineers.com>

FOUNDATION DETAILS

20K.L OHSR-12.45m

S.B.C OF SOIL 10T/M²

//Approved//

Chief Engineer-II
RWS&S, Gollapudi
Vijayawada.

H. Sundaraja
AEE

ROR
DEE

YSJ
EE