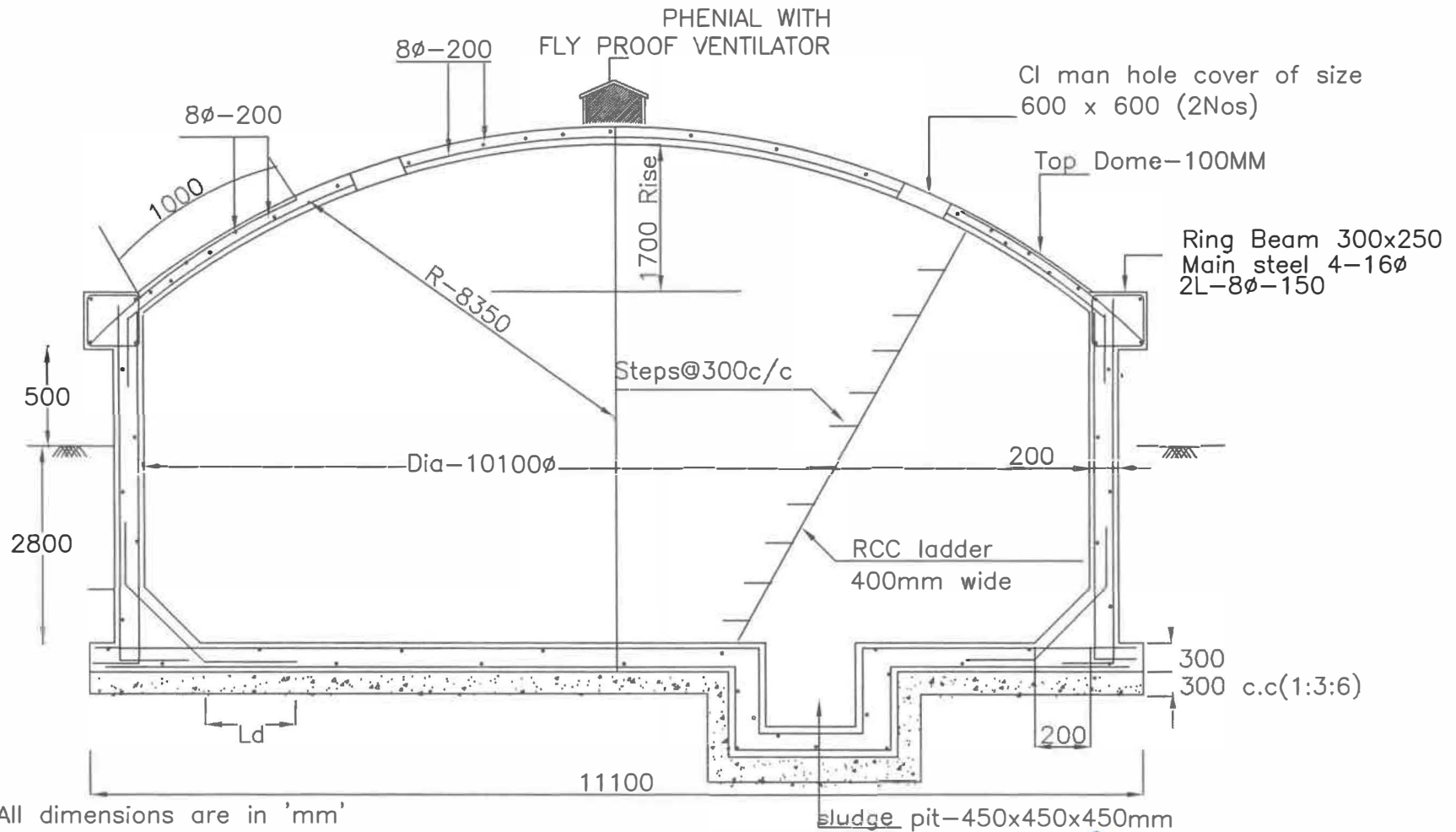


# 225 KL SUMP

108



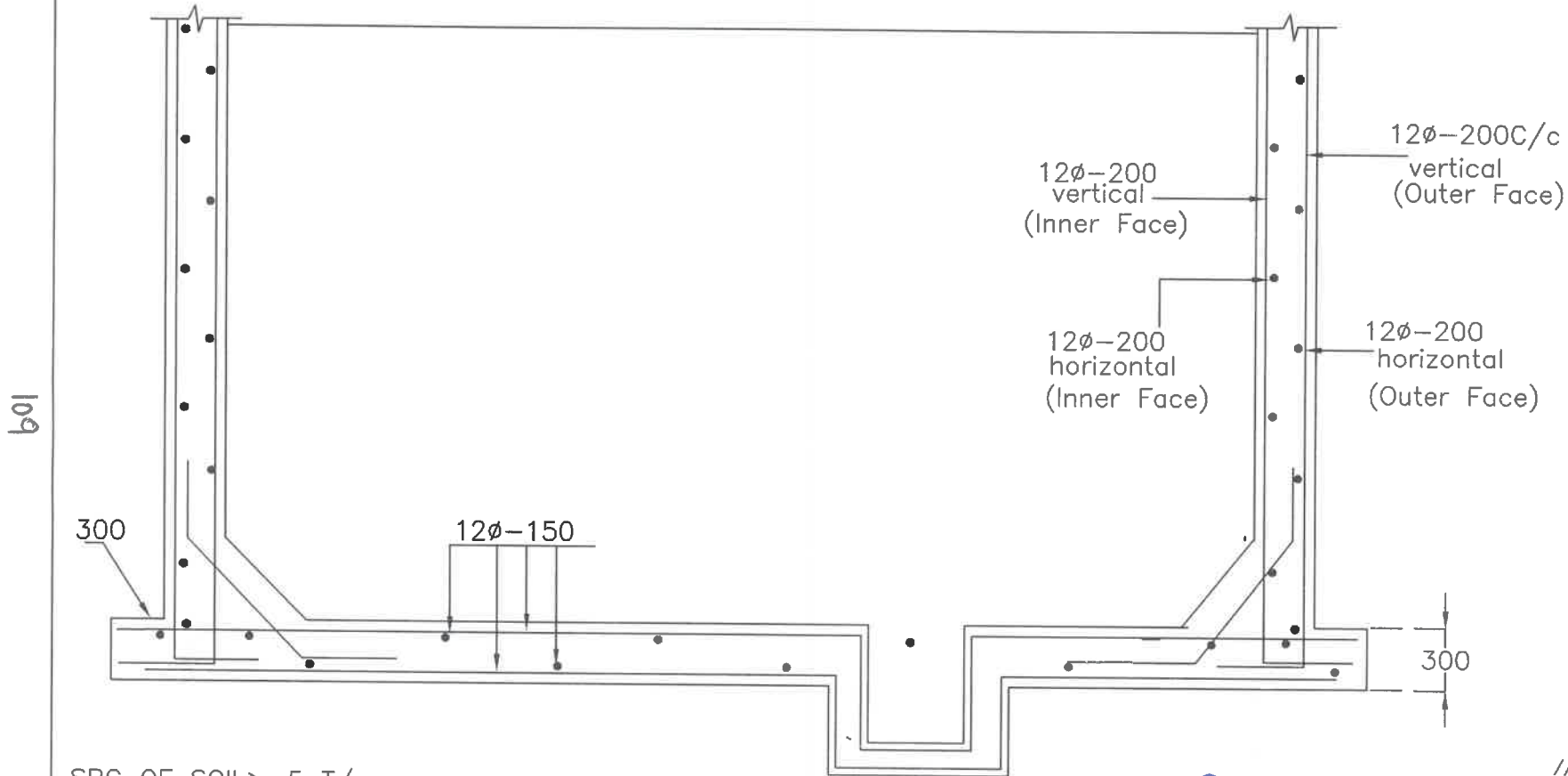
All dimensions are in 'mm'  
 Concrete mix V.R.C.C M30  
 Steel Fe-415  
 Reinforcement Details shall be as per IS - SP34

*H. P. Soubje* Asst Executive Engineer  
*POR* Dy. Executive Engineer  
*Y.S* Executive Engineer

//Approved//  
*RHS*  
 Chief Engineer -  
 RWS&S, Gollapudi  
 Vijayawada.

SCHEME:  
 DWG.NO.1

# 225 KL SUMP



SBC OF SOIL  $\geq 5$  T/sqm

Note: provide sand bed as per site conditions and verify the uplift condition before grounding the work, if depth of water table  $< 1.75$ m below GL

*H. P. Sailaya*  
Asst Executive Engineer

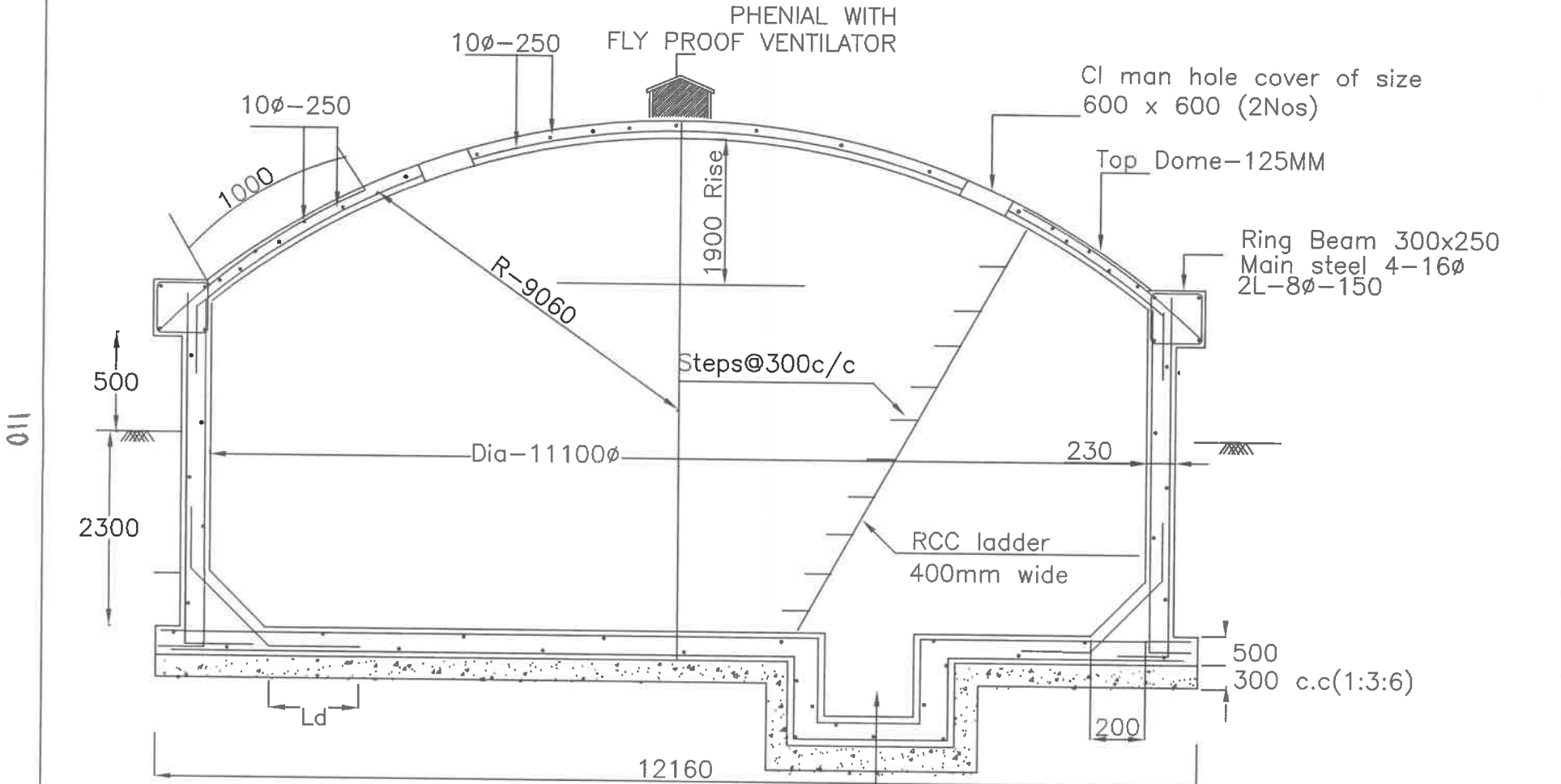
*R. K.*  
Dy. Executive Engineer

*Y. S.*  
Executive Engineer

//Approved//  
*R. S. S.*  
Chief Engineer  
RWS&S, Gollapudi  
Vijayawada.

SCHEME:
DWG.NO.2

# 225 KL SUMP



All dimensions are in 'mm'  
 Concrete mix V.R.C.C M30  
 Steel Fe-415  
 Reinforcement Details shall be as per IS - SP34

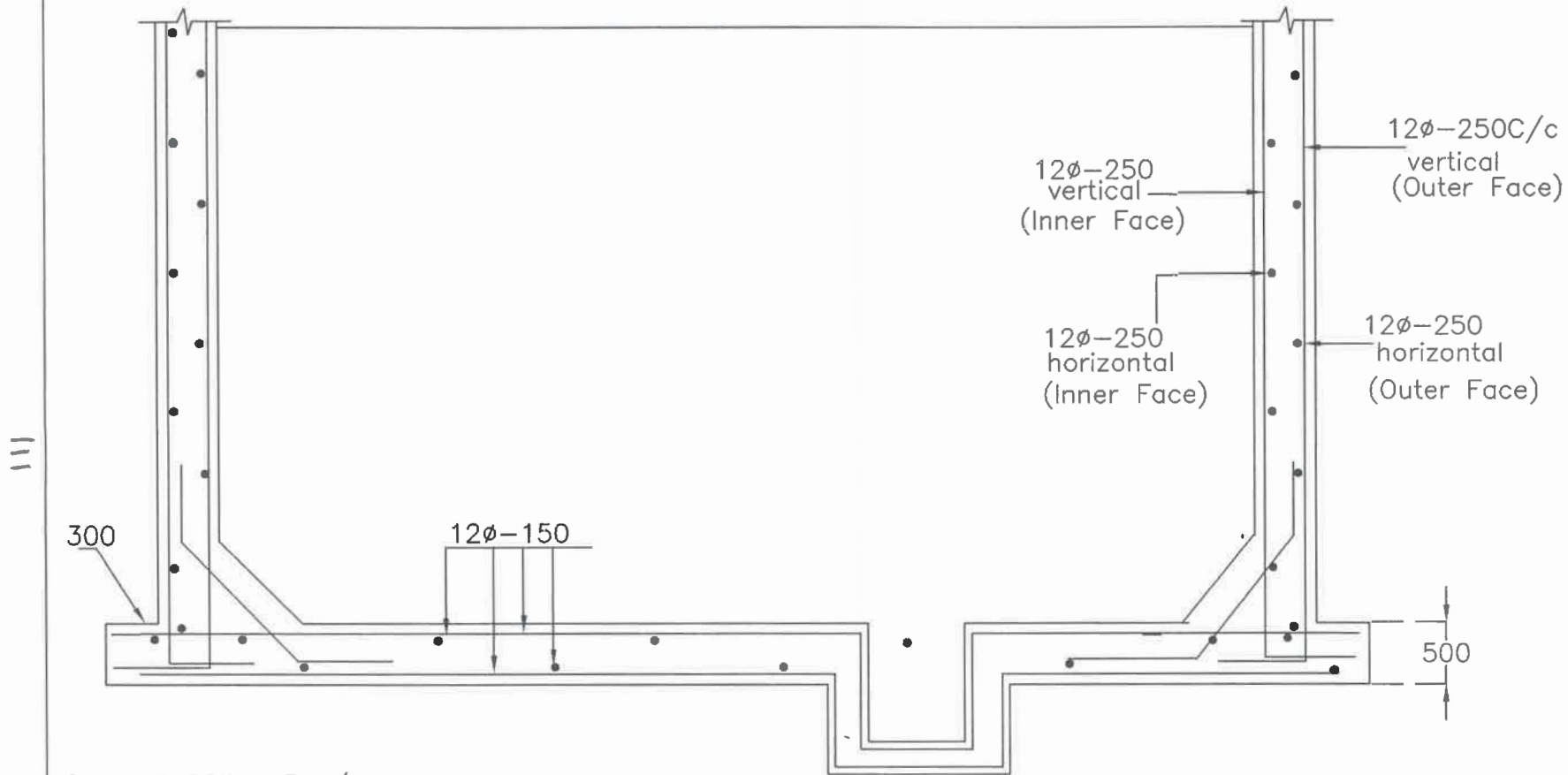
H. P. Sautje *HP*  
 Asst Executive Engineer Dy. Executive Engineer  
 Y-G  
 Executive Engineer

//Approved//  
*Y-G*  
 Chief Engineer - II  
 RWS&S, Gollapudi  
 Vijayawada.

Sump is designed for uplift

SCHEME:
DWG.NO.1

# 225 KL SUMP



SBC OF SOIL  $\geq 5$  T/sqm

Note: provide sand bed as per site conditions and verify the uplift condition before grounding the work, if depth of water table  $< 1.0$ m below GL

*H.P. Sailesh*  
Asst Executive Engineer

*P.R.*  
Dy. Executive Engineer

*Y.S.*  
Executive Engineer

//Approved//  
*R. Srinivas*  
Chief Engineer-II  
RWS&S, Gollapudi  
Vijayawada.

SCHEME:
DWG.NO.2