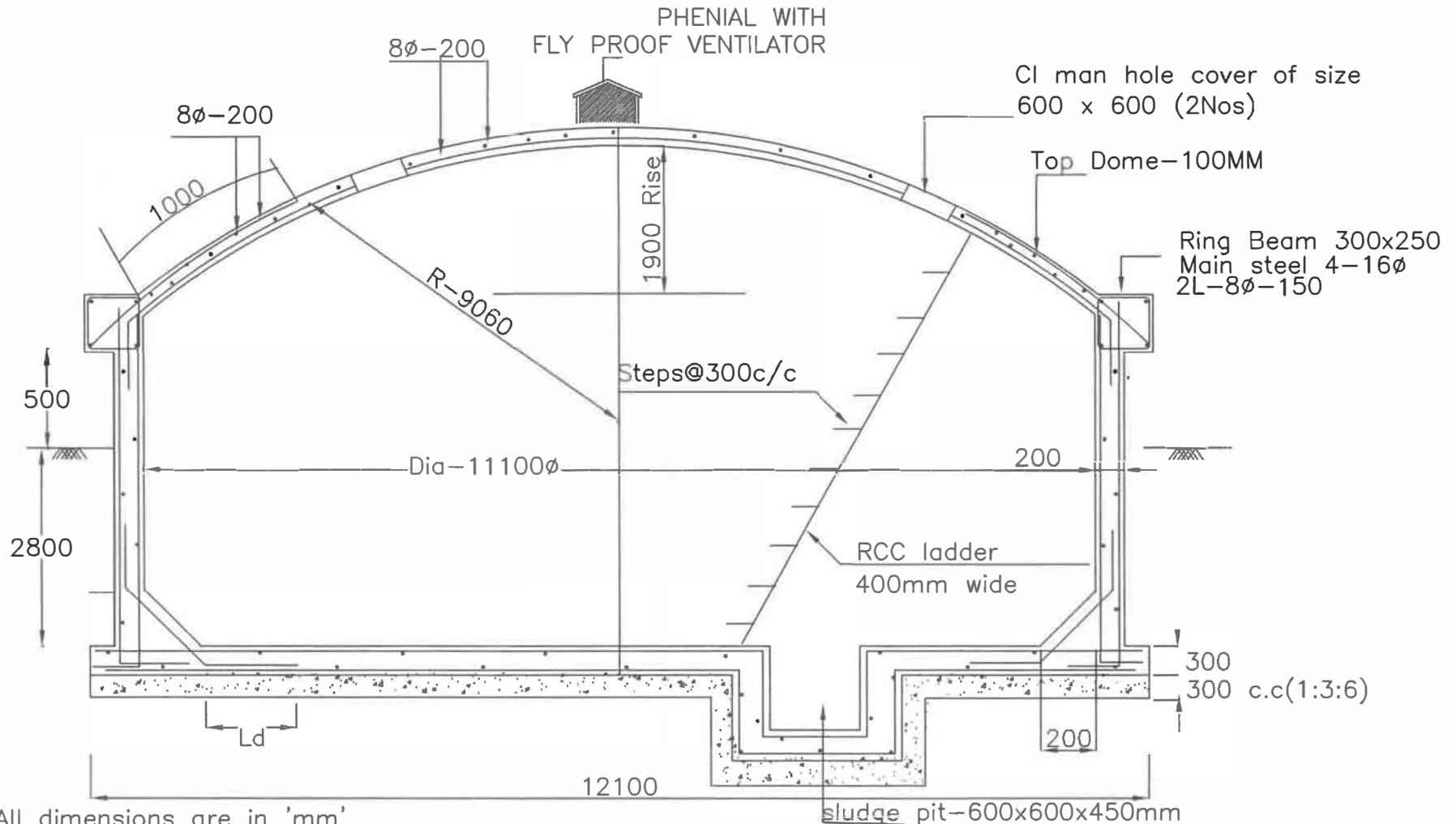


275 KL SUMP

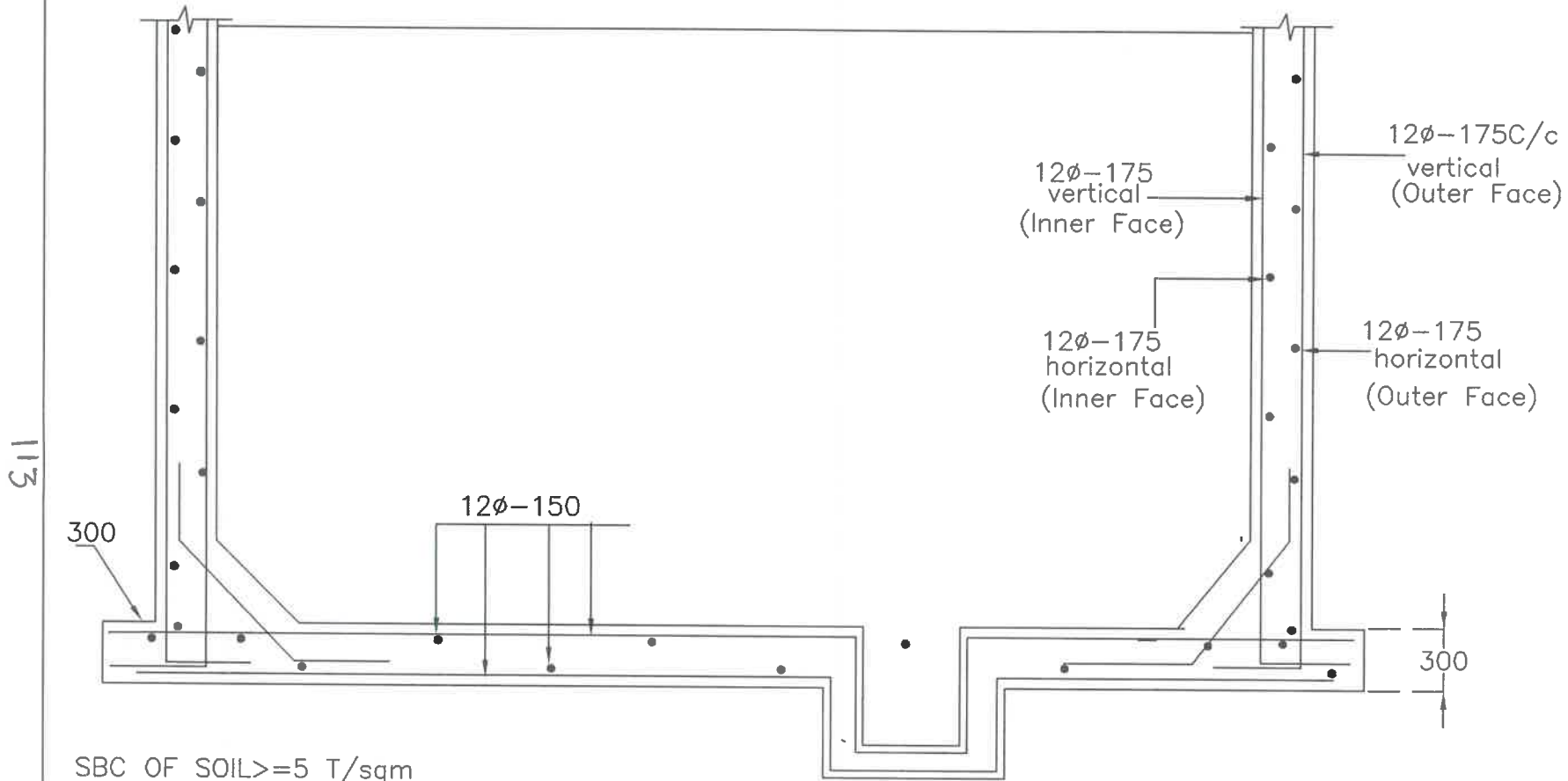


All dimensions are in 'mm'
 Concrete mix V.R.C.C M30
 Steel Fe-415
 Reinforcement Details shall be as per IS - SP34

H.P. Sailaja Asst. Executive Engineer
GR Dy. Executive Engineer
Y.S Executive Engineer
 //Approved//
R.S Chief Engineer
 RWS&S, Gollapudi Vijayawada.

SCHEME:
DWG.NO.1

275 KL SUMP



SBC OF SOIL ≥ 5 T/sqm

Note: provide sand bed as per site conditions and verify the uplift condition before grounding the work, if depth of water table < 1.75 m below GL

H. P. Sailaja
Asst Executive Engineer

Por
Dy. Executive Engineer

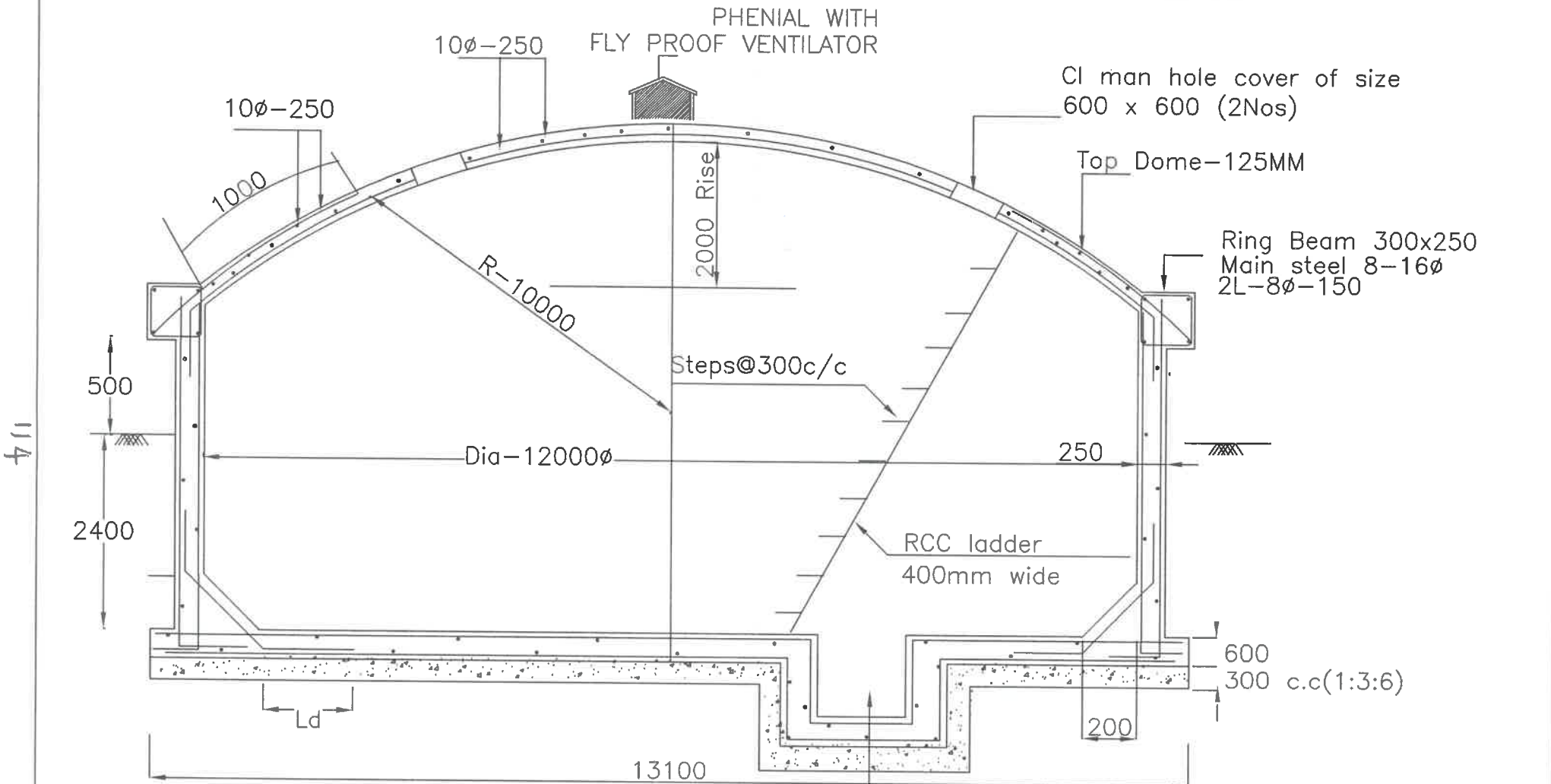
Y.S
Executive Engineer

//Approved//
R. S. S.
Chief Engineer-II
RWS&S, Gallapudi
Vijayawada.

SCHEME:

DWG.NO.2

275 KL SUMP



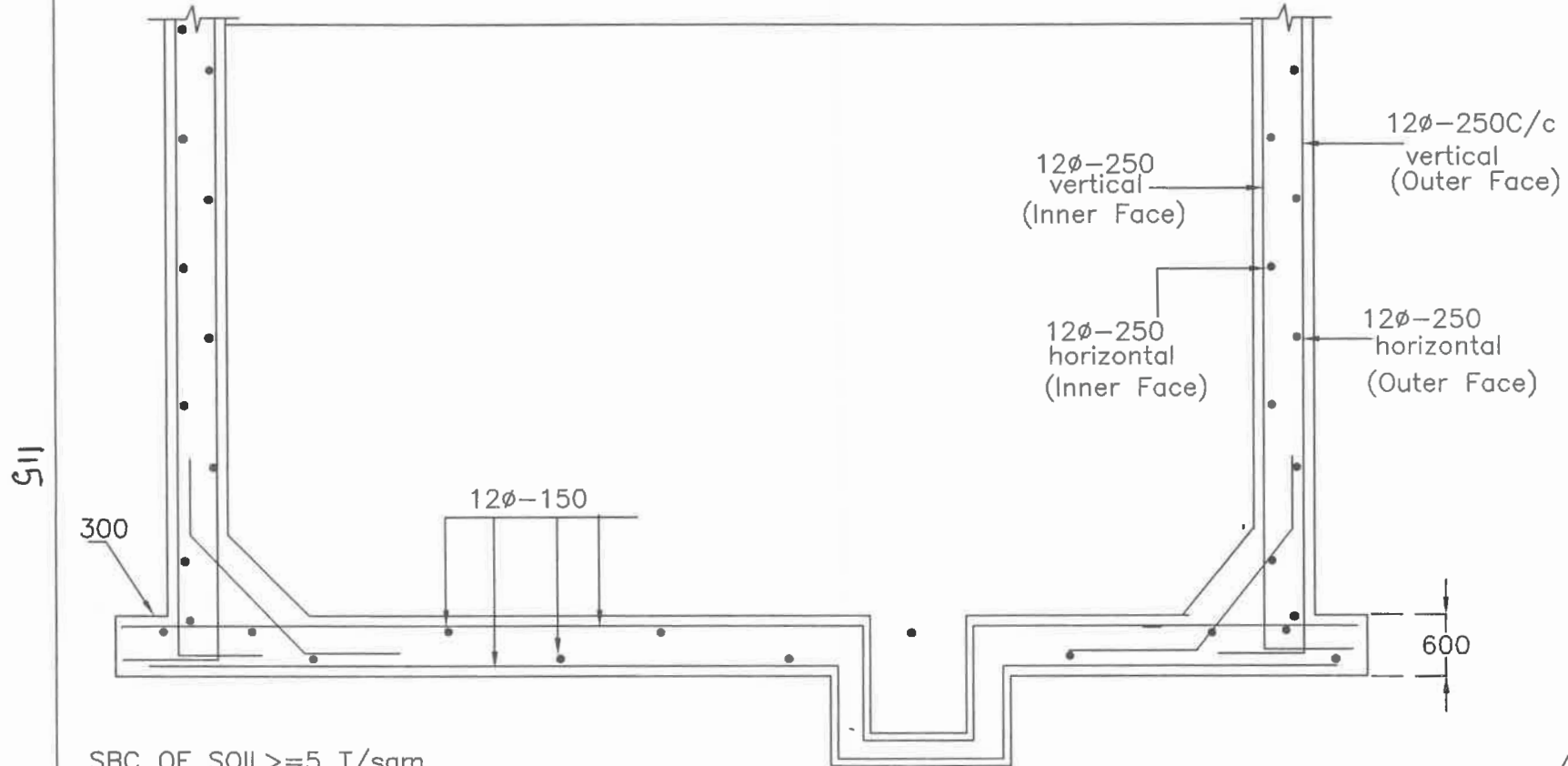
All dimensions are in 'mm'
 Concrete mix V.R.C.C M30
 Steel Fe-415
 Reinforcement Details shall be as per IS - SP34

H.P. Saileja Asst Executive Engineer
POR Dy.Executive Engineer
y.Sr Executive Engineer
 //Approved//
R.S.S Chief Engineer
 RWS&S,Gollapudi Vijayawada.

Sump is designed for uplift

SCHEME:
 DWG.NO.1

275 KL SUMP



SBC OF SOIL ≥ 5 T/sqm

Note: provide sand bed as per site conditions and verify the uplift condition before grounding the work, if depth of water table < 1.0 m below GL

H. P. Sastry
Asst Executive Engineer Dy. Executive Engineer

Y. S. I.
Executive Engineer

//Approved//
Chief Engineer
RWS&S, Gollapudi
Vijayawada.

SCHEME:
DWG.NO.2