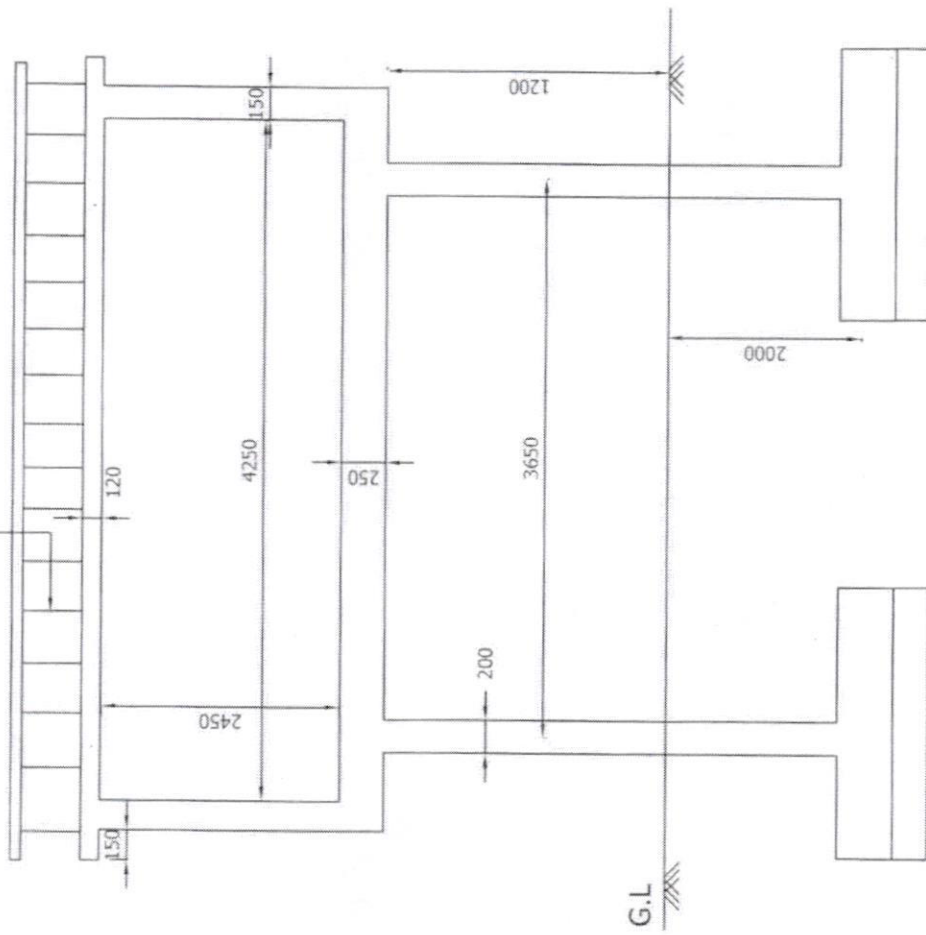


RCC POSTS WITH GI RAILING

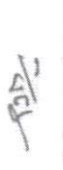


SCHEME:

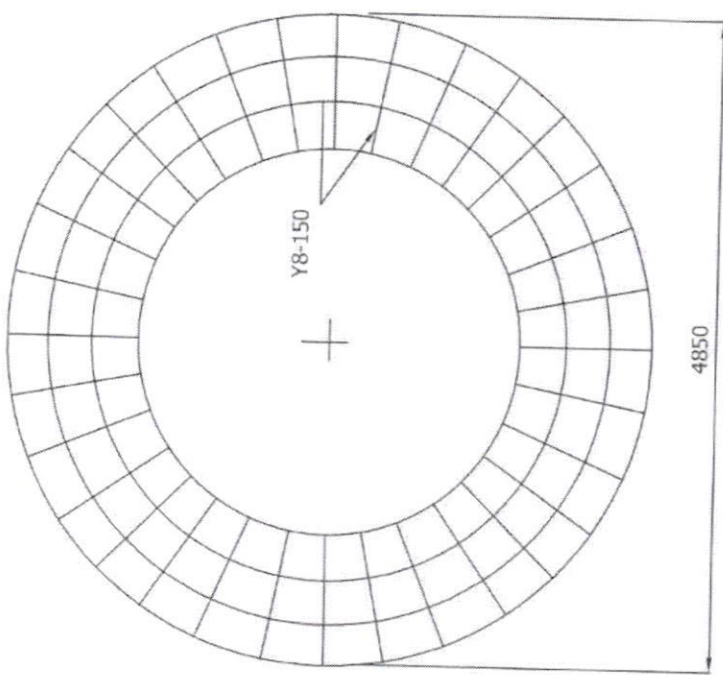
30KL GLSR

DRG NO. 1

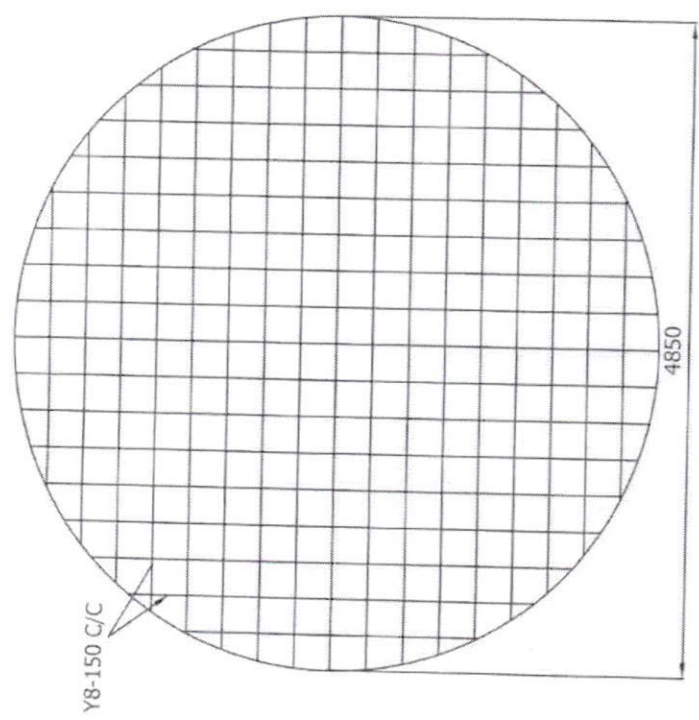

Chief Engineer-II
RWS&S, Gollapudi
Vijayawada


Dy. Executive Engineer

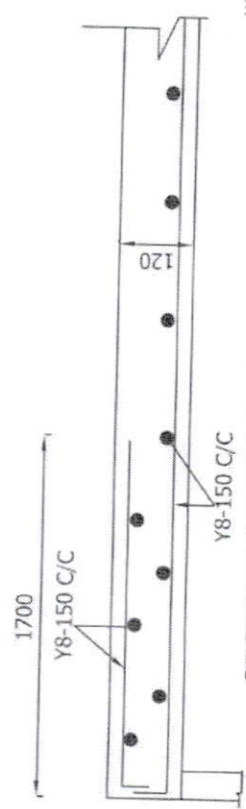

Asst. Executive Engineer



TOP LAYER



BOTTOM LAYER

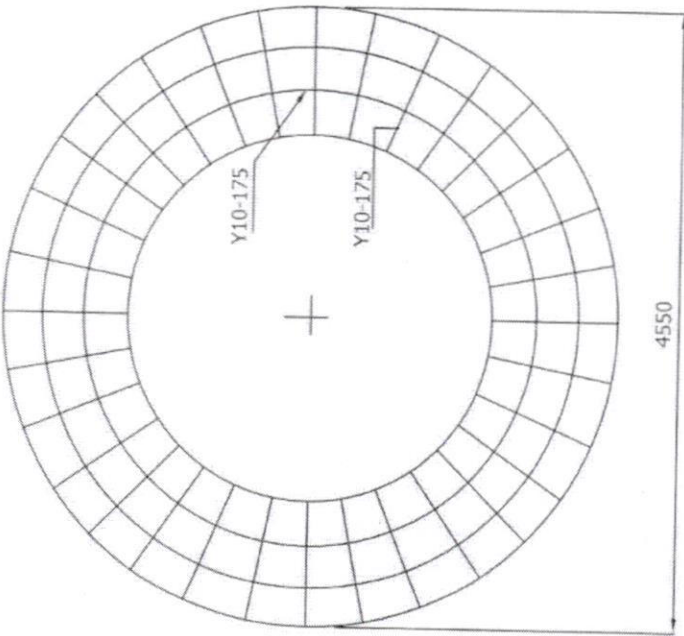


SECTION OF TOP SLAB

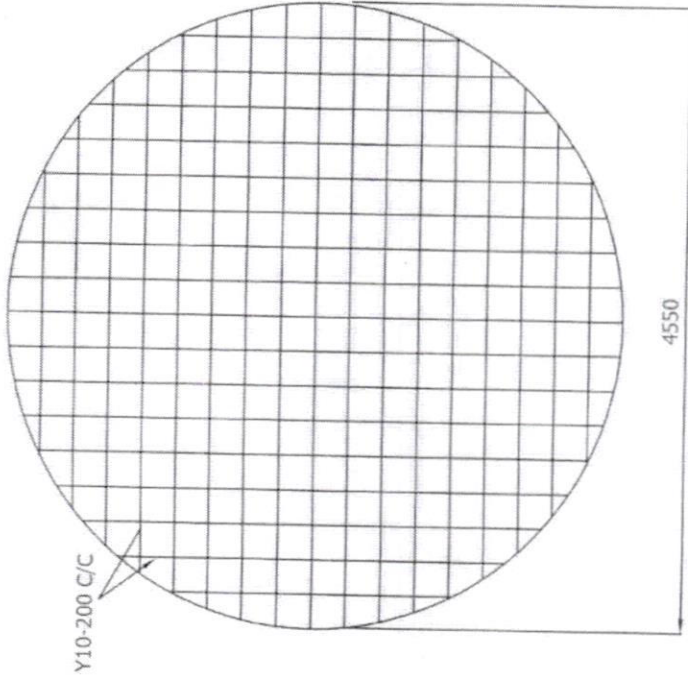
SCHEME:
30KL GLSR
DRG NO. 2

//Approved//
 Engineer-II
 RVS&S, Gollapudi
 Vijayawada.

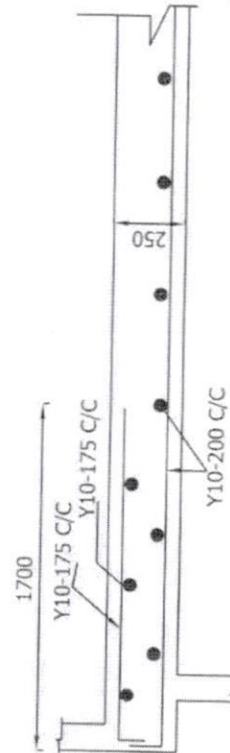
Asst. Executive Engineer
 Dy. Executive Engineer



TOP LAYER



BOTTOM LAYER



SECTION OF BOTTOM SLAB

SCHEME:

30KL G L S R

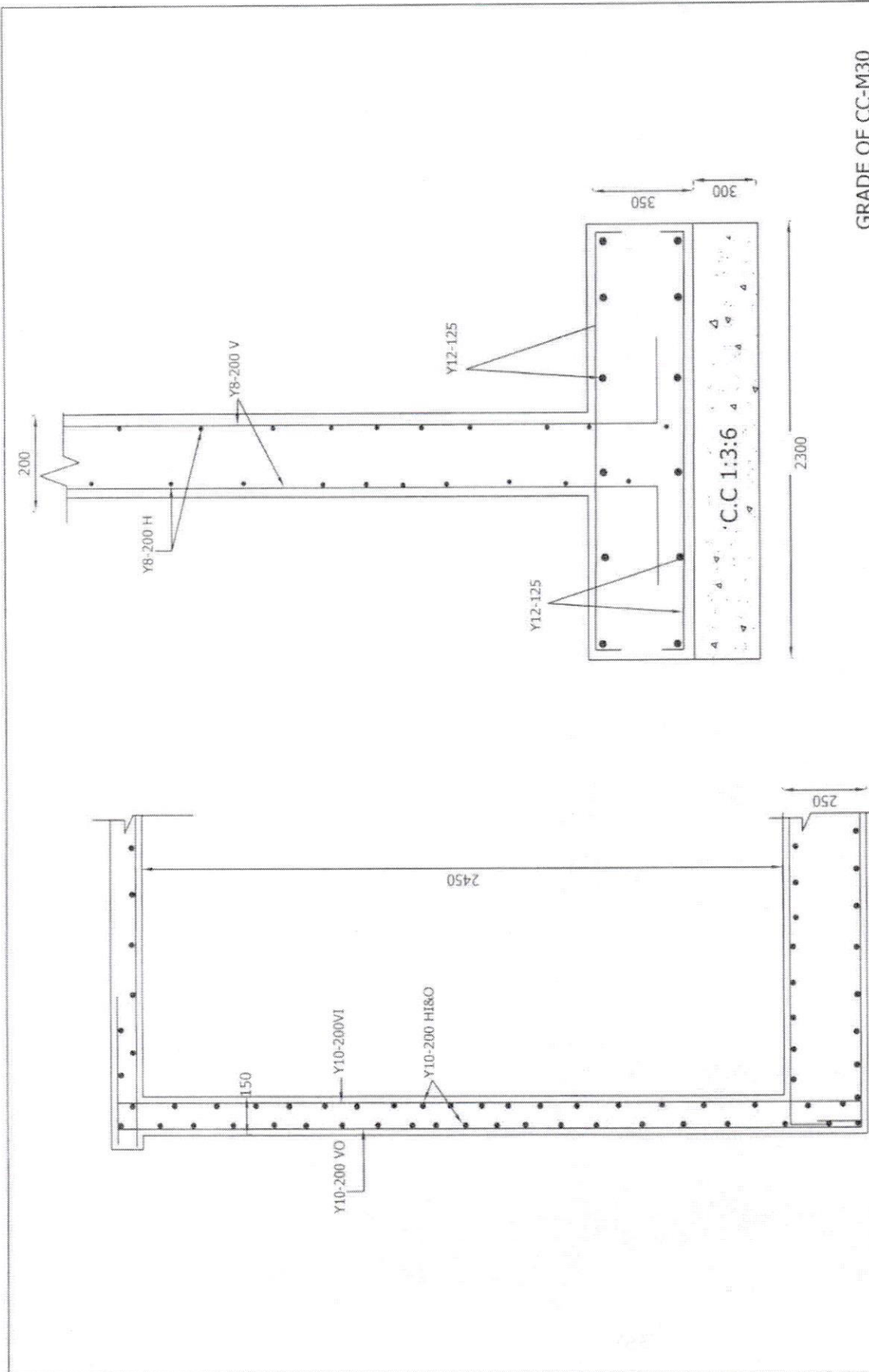
DRG NO.3

Approved/

 Engineer-II
 RVSS&S, Gollapudi
 Vijayawada.

Asst Executive Engineer

 Dy. Executive Engineer



GRADE OF CC-M30
SBC- 5T/SQM

SCHEME:	30KL G LSR
DRG NO.4	

SECTION OF SIDE WALL

Note: provide sand bed as per site conditions and SBC of soil >= 5 t/sqm

[Signature]
 Chief Engineer-II
 RWS&S, Gollapudi
 Vijayawada.

[Signature]
 Dy. Executive Engineer

[Signature]
 Asst Executive Engineer