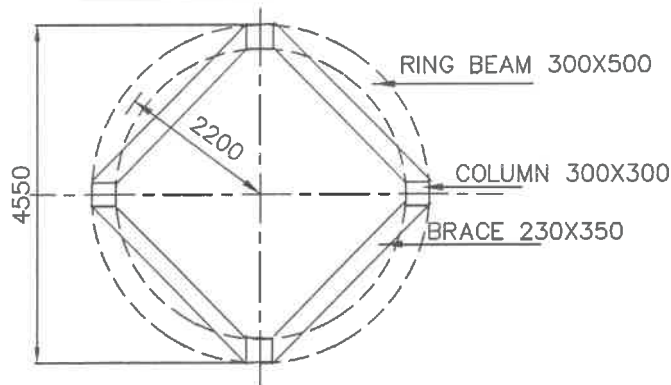


SECTION ELEVATION



PLAN

//Approved//

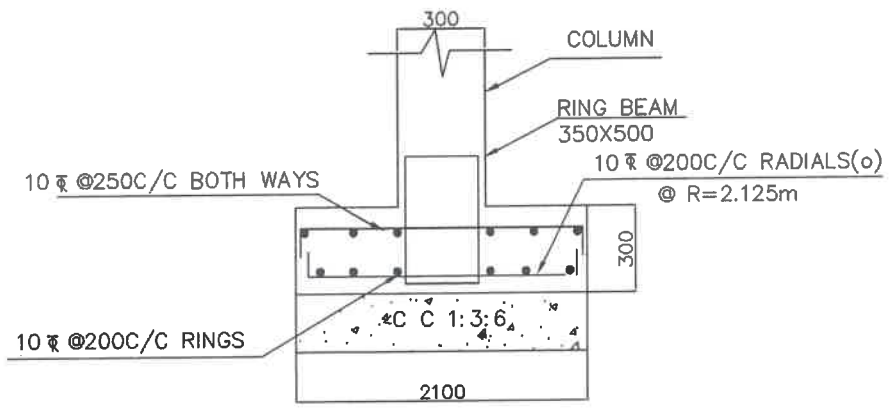
P. S. G. 14
 Chief Engineer-II
 RWS&S, Gollapudi
 Vijayawada.

H. P. S. G. 14
 AEE

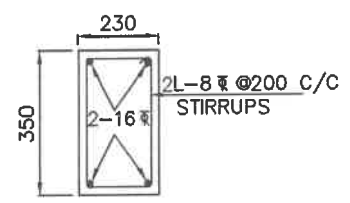
P. R.
 DEE

Y. S.
 EE

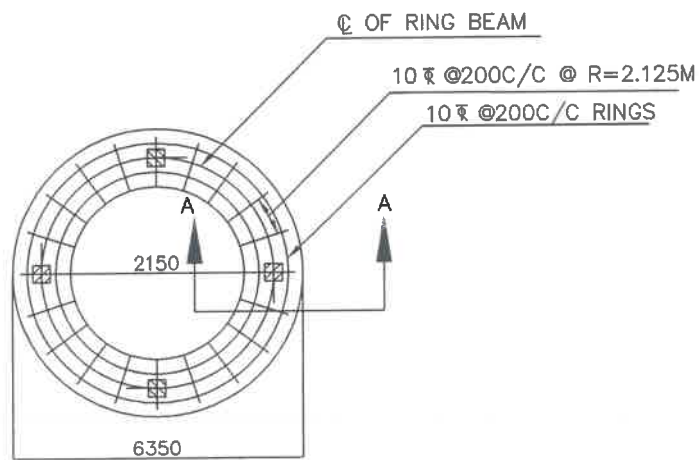
**30KL OHSR WITH
 12.5M STAGING**



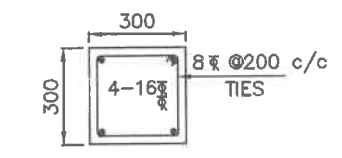
SECTION A-A



SECTION OF BRACE



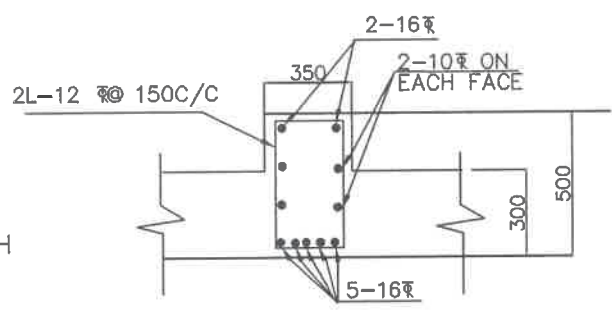
BOTTOM REINFORCEMENT OF RING FOUNDATION



SECTION OF COLUMN

NOTES:

1. Grade of concrete : M30
- Grade of steel : Fe415
2. Depth of foundation : 2.0m
- below G.L upto top of raft
3. Basic wind speed : 150 KMPH
4. Staging height : 12.5M
- Clear height between the braces : 2.70M
- No. of stagings : 4
5. 8 Nos of 16mm diagonal bars shall be provided at column brace junction
6. For detailing of reinforcement I.S SP-34 shall be followed
7. All dimensions are in 'mm' unless specified



SECTION OF RING BEAM

<https://rwsengineers.com>

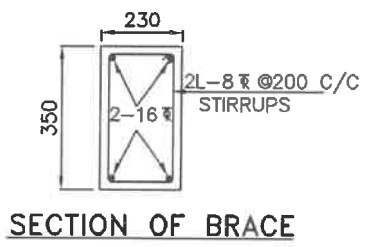
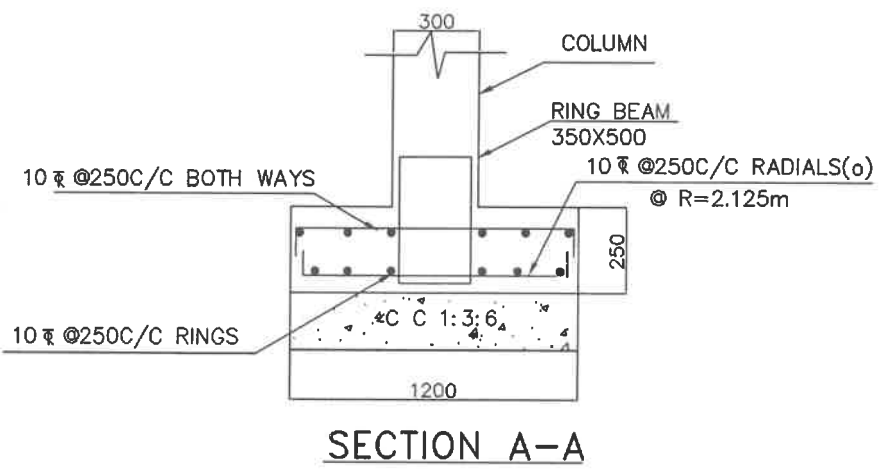
FOUNDATION DETAILS
OF 30K.L OHSR
S.B.C OF SOIL 5T/M²

A. Sundar
AEE

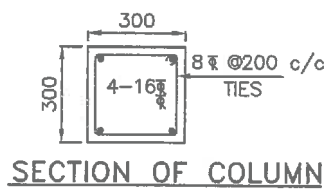
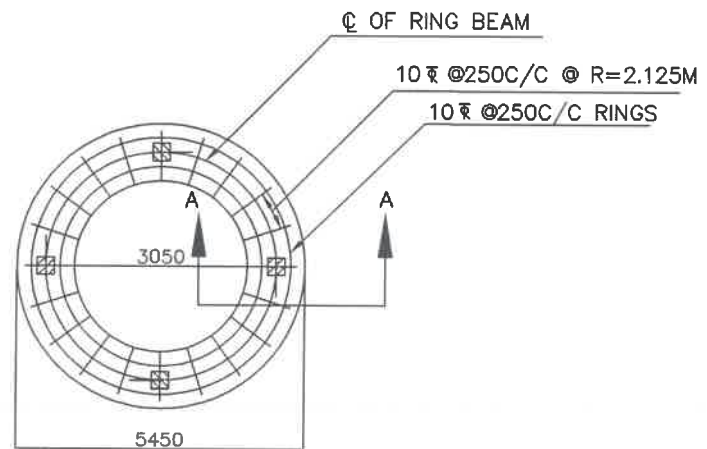
Por
DEE

Y. S.
EE

//Approved//
P. K. 19/14
Chief Engineer-II
RWS&S, Gollapudi
Vijayawada.



SECTION A-A

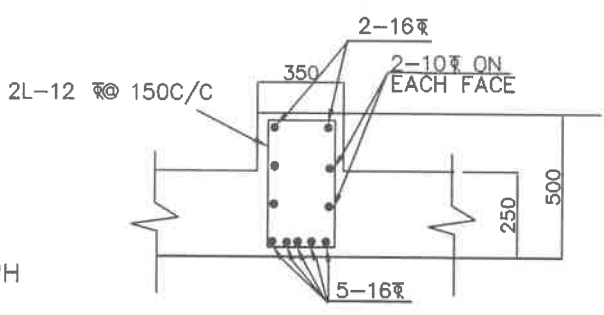


SECTION OF COLUMN

BOTTOM REINFORCEMENT OF RING FOUNDATION

NOTES:

- Grade of concrete : M30
- Grade of steel : Fe415
- Depth of foundation below G.L upto top of raft : 2.0m
- Basic wind speed : 150 KMPH
- Staging height : 12.5M
Clear height between the braces : 2.70M
No. of stagings : 4
- 8 Nos of 16 $\bar{\text{R}}$ diagonal bars shall be provided at column brace junction
- For detailing of reinforcement I.S SP-34 shall be followed
- All dimensions are in 'mm' unless specified



SECTION OF RING BEAM

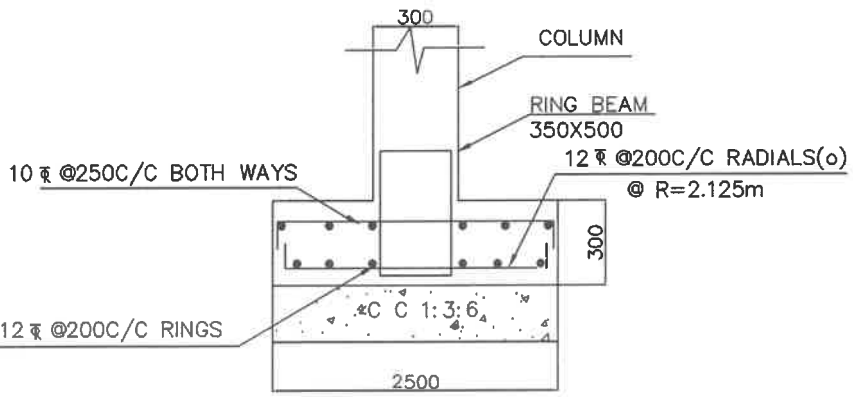
H. Sundaraj
AEE

P. S. R.
DEE

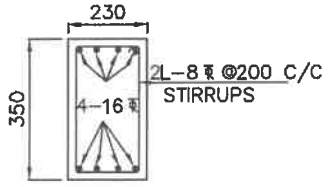
Y. S.
EE

//Approved//
R. S. R.
Chief Engineer-II
RWS&S, Gollapudi
Vijayawada.

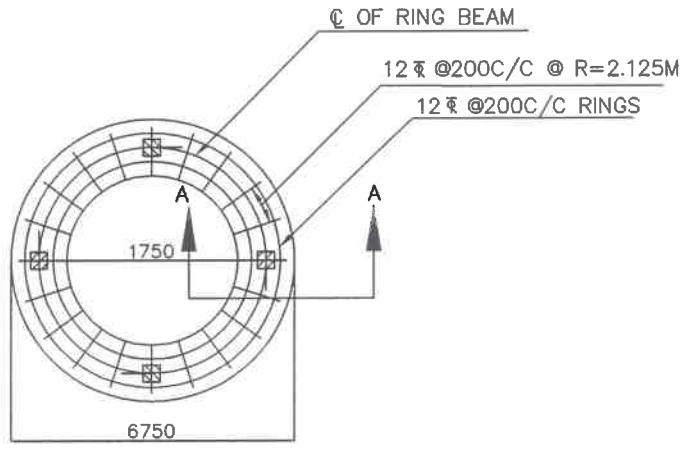
FOUNDATION DETAILS
OF 30K.L OHSR
S.B.C OF SOIL-10T/M ²



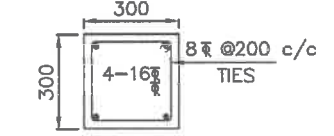
SECTION A-A



SECTION OF BRACE



BOTTOM REINFORCEMENT OF RING FOUNDATION

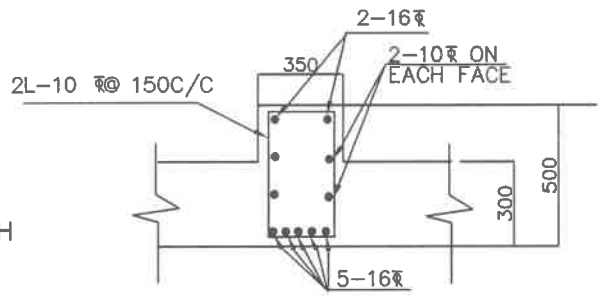


SECTION OF COLUMN

<https://rwsengineers.com>

NOTES:

1. Grade of concrete : M30
- Grade of steel : Fe415
2. Depth of foundation : 2.0m
below G.L upto top of raft
3. Basic wind speed : 200 KMPH
4. Staging height : 12.50M
Clear height between the braces : 2.70M
No. of stagings : 4
5. 8 Nos of 16mm diagonal bars shall be provided at column brace junction
6. For detailing of reinforcement I.S SP-34 shall be followed
7. All dimensions are in 'mm' unless specified



SECTION OF RING BEAM

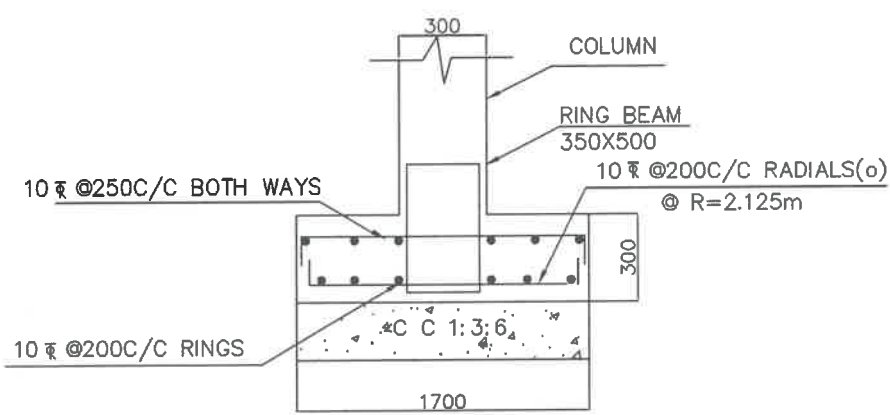
FOUNDATION DETAILS
OF 30K.L OHSR
S.B.C OF SOIL 5T/M²

H. Sundaraja
AEE

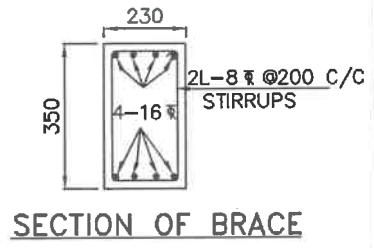
P. R. K.
DEE

Y. S.
EE

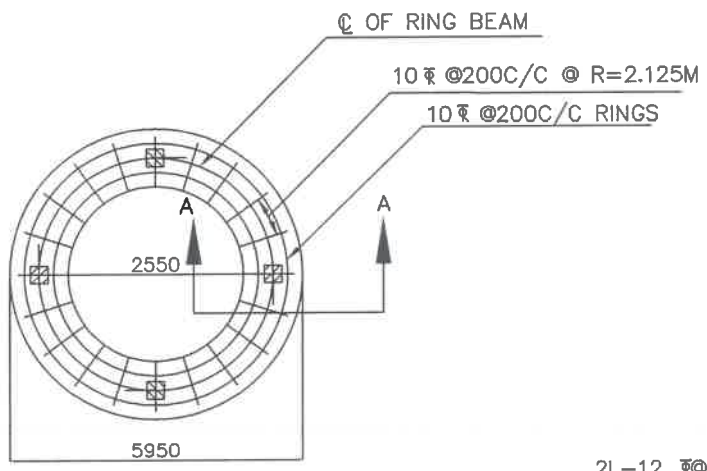
//Approved//
P. R. K.
Chief Engineer
RWS&S, Gollapudi
Vijayawada.



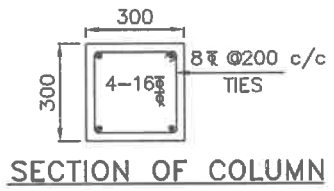
SECTION A-A



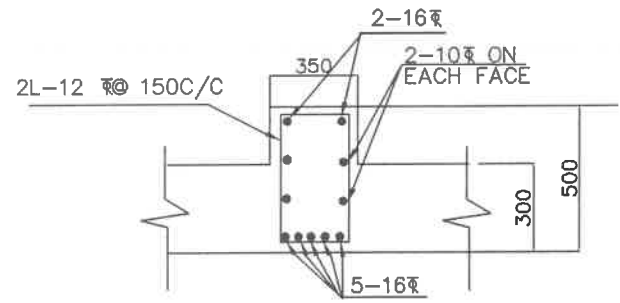
SECTION OF BRACE



BOTTOM REINFORCEMENT OF RING FOUNDATION



SECTION OF COLUMN



SECTION OF RING BEAM

NOTES:

1. Grade of concrete : M30
- Grade of steel : Fe415
2. Depth of foundation : 2.0m
below G.L upto top of raft
3. Basic wind speed : 200 KMPH
4. Staging height : 12.50M
Clear height between the braces : 2.70M
No. of stagings : 4
5. 8 Nos of 16 ϕ diagonal bars shall be provided at column brace junction
6. For detailing of reinforcement I.S SP-34 shall be followed
7. All dimensions are in 'mm' unless specified

<https://rwsengineers.com>

FOUNDATION DETAILS
OF 30K.L OHSR
S.B.C OF SOIL-10T/M²

H. Sundaraja
AEE

Por
DEE

Y.S
EE

//Approved//
PKS
Chief Engineer-II
RWS&S, Gollapudi
Vijayawada.