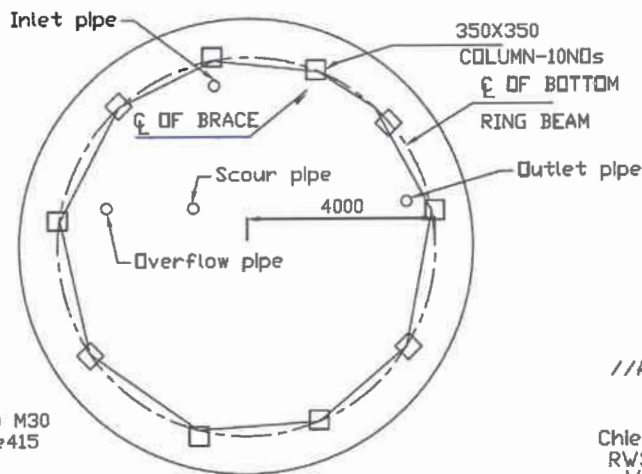


ELEVATION



NOTE:

- 1.GRADE OF CONCRETE : M30
- 2.GRADE OF STEEL : Fe415
- 3.DEPTH OF FOUNDATION=2.5m BELOW GROUND LEVEL UPTO TOP OF RAFT
- 4.No OF STAGING : 3

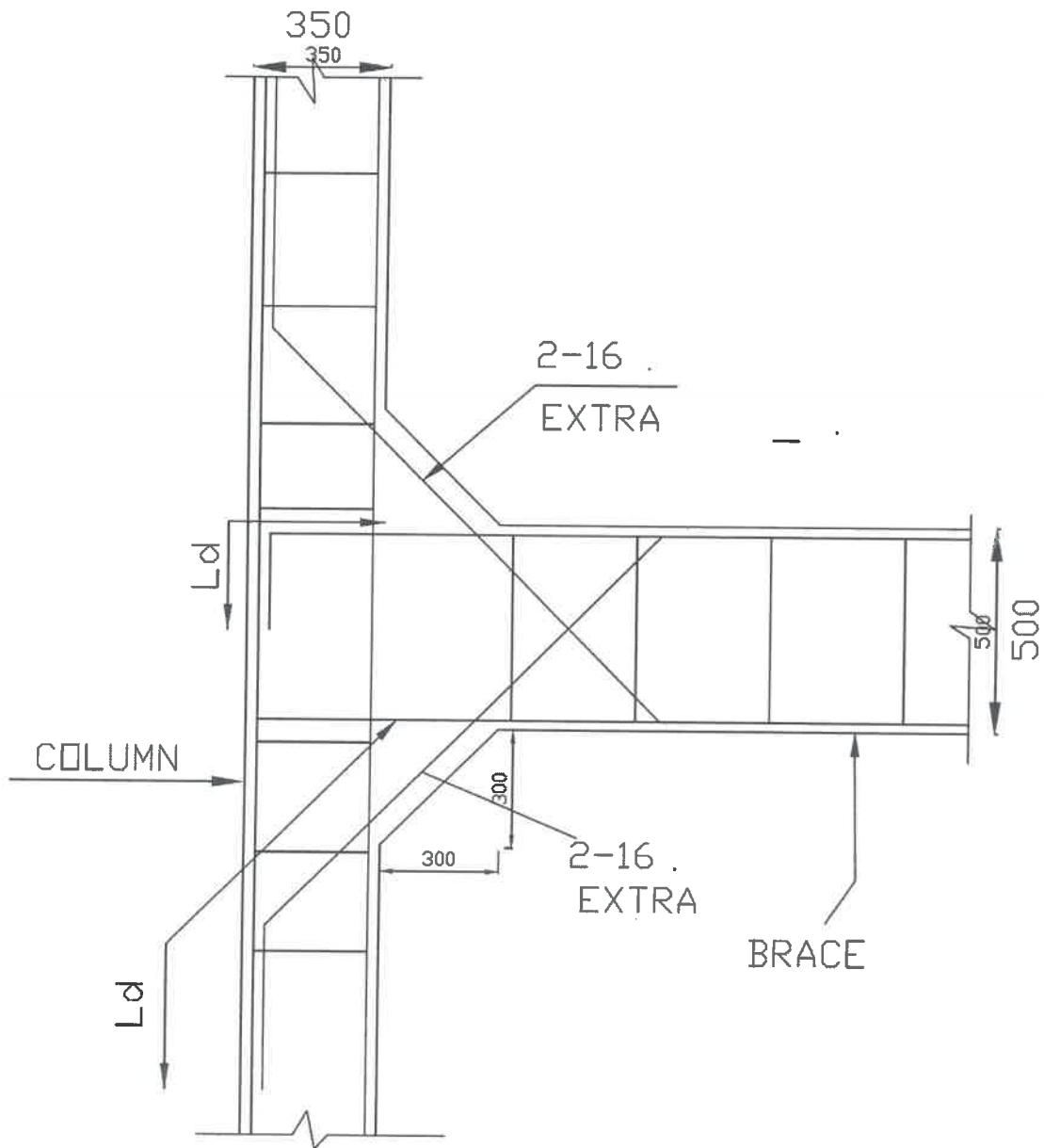
PLAN

//Approved//

*[Signature]*  
Chief Engineer-II  
RWS&S,Gollapudi  
Vijayawada.

*[Signatures]*  
AEE AEE DEE EE

350 K.L □HBR WITH
9.90M STAGING
Wind Speed 150/200 kmph



## COLUMN BRACE JUNCTION

NOTE:-8 Nos of 16 diagonal bars shall be provided at column brace junction

Saralaja AEE  
 AEB  
 DEE

Y.S  
 EE

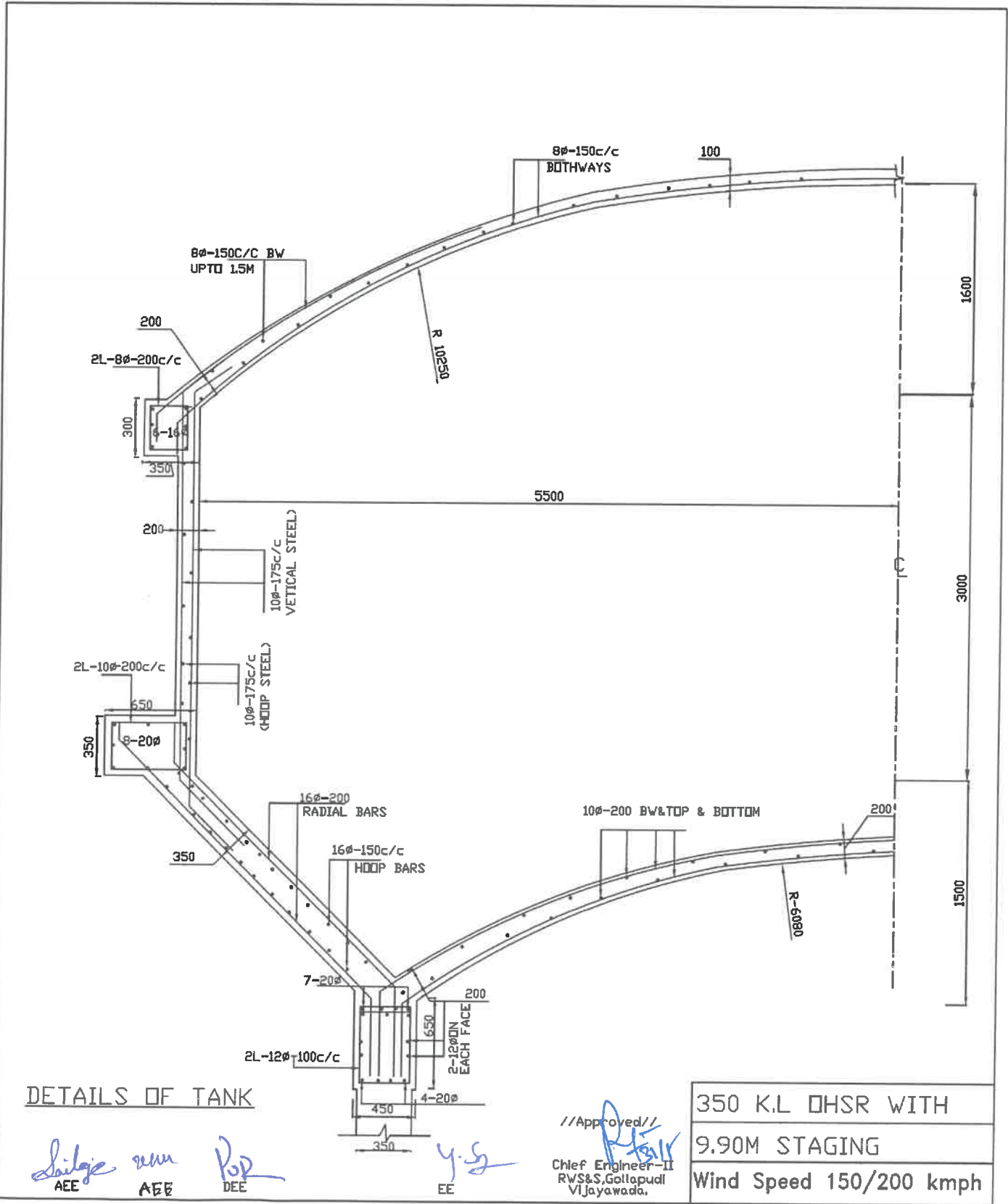
//Approved//

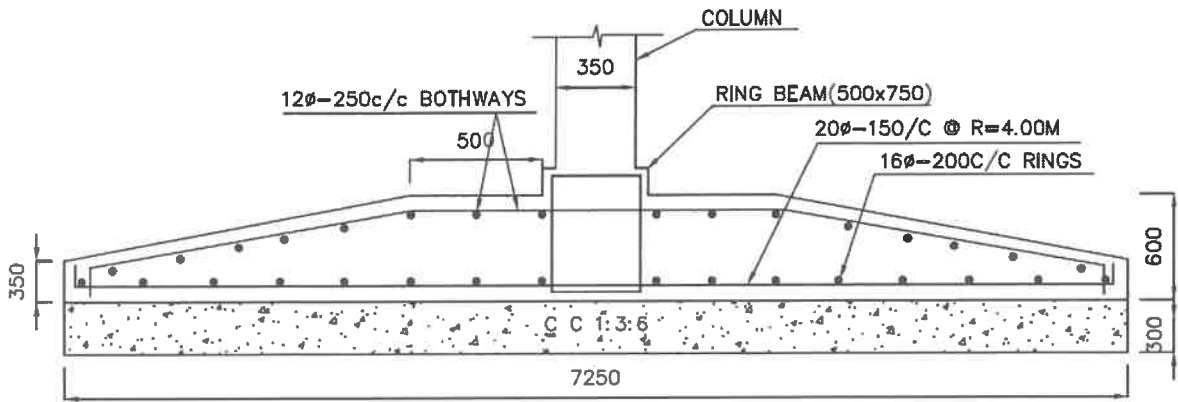
Chief Engineer-II  
 RWS&S, Gollapudi  
 Vijayawada.

LOCATION:

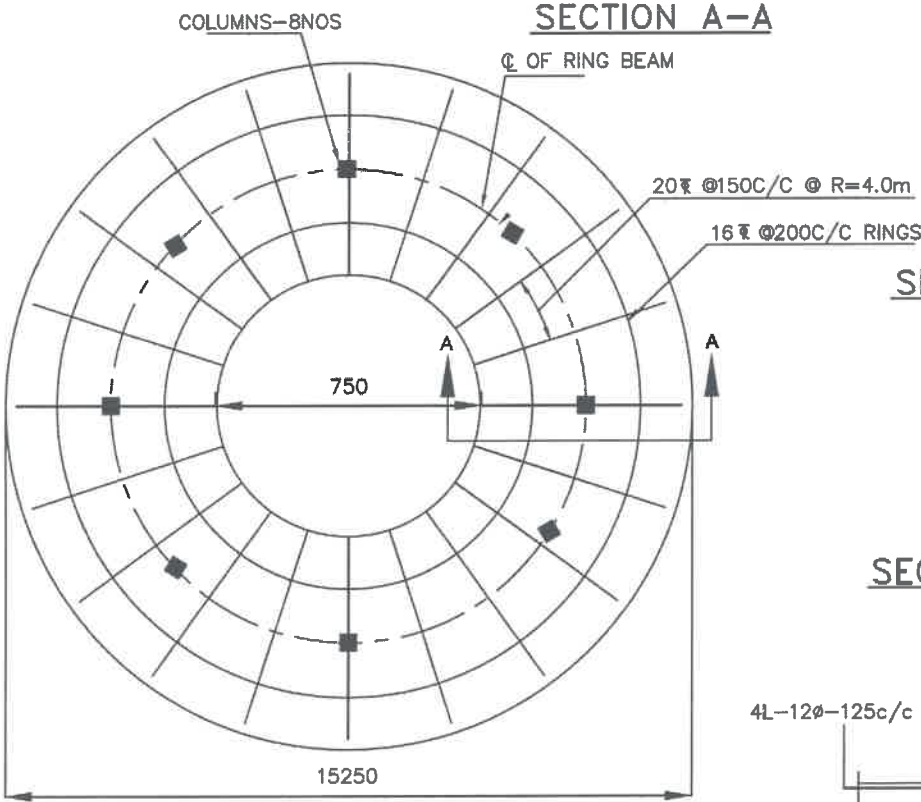
350 KL OHSR-9.90M STG

Wind Speed 150/200 kmph

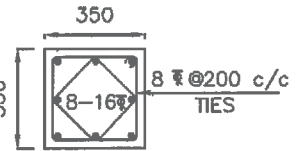




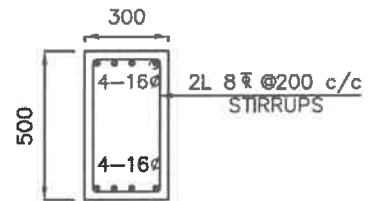
**SECTION A-A**



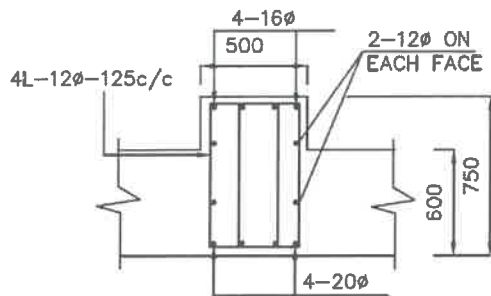
**BOTTOM REINFORCEMENT OF RING FOUNDATION**



**SECTION OF COLUMN**



**SECTION OF BRACE**



**SECTION OF RING BEAM**

**NOTES:**

- |                                      |           |   |  |
|--------------------------------------|-----------|---|--|
| 1. Grade of concrete                 | : M30     | 6. For detailing of reinforcement               |  |
| Grade of steel                       | : Fe415   | I.S SP-34 shall be followed                     |  |
| 2. Basic wind speed                  | : 42M/Sec | 7. All dimensions are in 'mm' unless specified. |  |
| 3. Depth of foundation               | : 2.0M    |   |  |
| below G.L upto top of raft           |           |   |  |
| 4. Staging height                    | : 9.90M   |   |  |
| Clear height between the braces      | : 2.70M   |   |  |
| No. of stagings                      | : 3       |   |  |
| 5. 8 Nos of 16φ diagonal bars shall  |           |   |  |
| be provided at column brace junction |           |   |  |

// Approved //

*Saitgi* *reem* *Pok*  
AEE AEE DEE

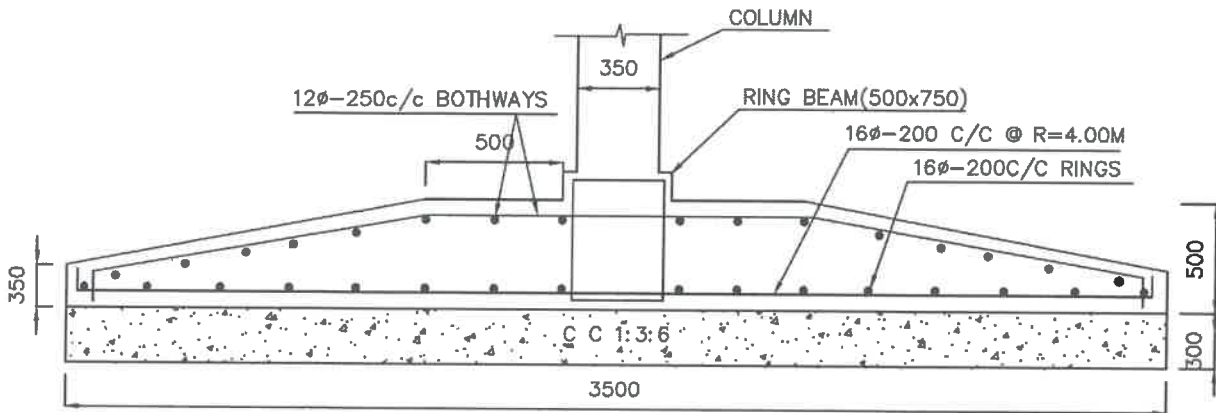
*Y.G.*  
EE

Chief Engineer-II  
RWS&S, Gollapudi  
Vijayawada.

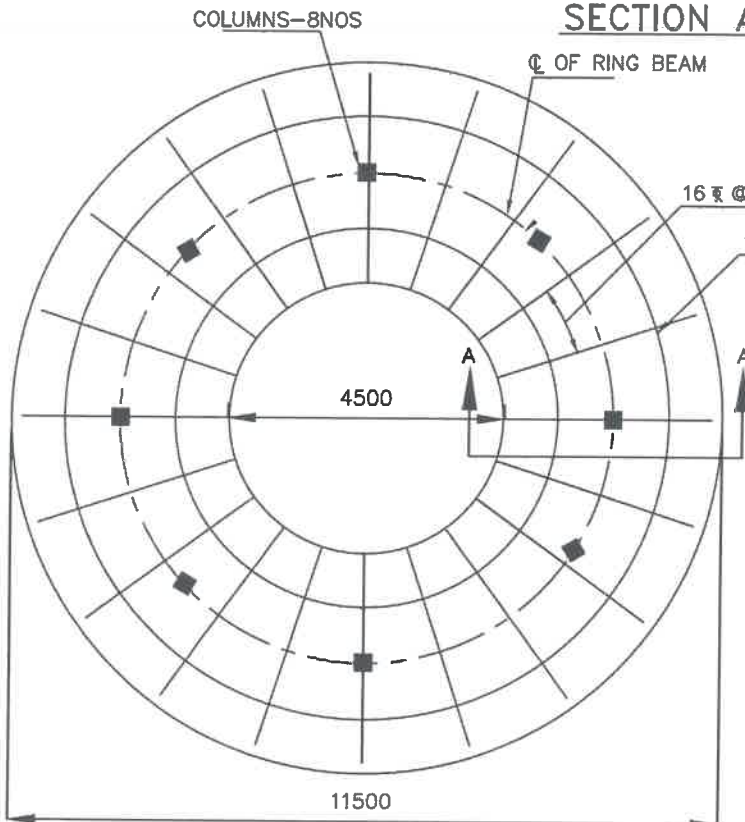
**SCHEME:**

350KL-0 H S R-9.90M STG

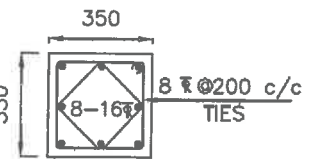
S.B.C. OF SOIL-5T/M<sup>2</sup>



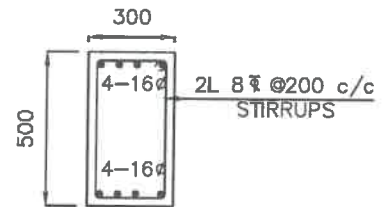
**SECTION A-A**



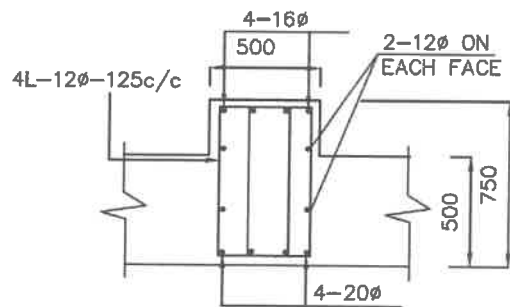
**BOTTOM REINFORCEMENT OF RING FOUNDATION**



**SECTION OF COLUMN**



**SECTION OF BRACE**



**SECTION OF RING BEAM**

**NOTES:**

- |  |           |   |  |
|--|-----------|---|--|
| 1. Grade of concrete   | : M30     | 6. For detailing of reinforcement               |  |
| Grade of steel   | : Fe415   | I.S SP-34 shall be followed                     |  |
| 2. Basic wind speed  | : 42M/Sec | 7. All dimensions are in 'mm' unless specified. |  |
| 3. Depth of foundation below G.L upto top of raft                        | : 2.0M    |   |  |
| 4. Staging height  | : 9.90M   |   |  |
| Clear height between the braces  | : 2.70M   |   |  |
| No. of stagings  | : 3       |   |  |
| 5. 8 Nos of 16φ diagonal bars shall be provided at column brace junction |           |   |  |

**SCHEME:**

350KL-0 H S R-9.90M STG

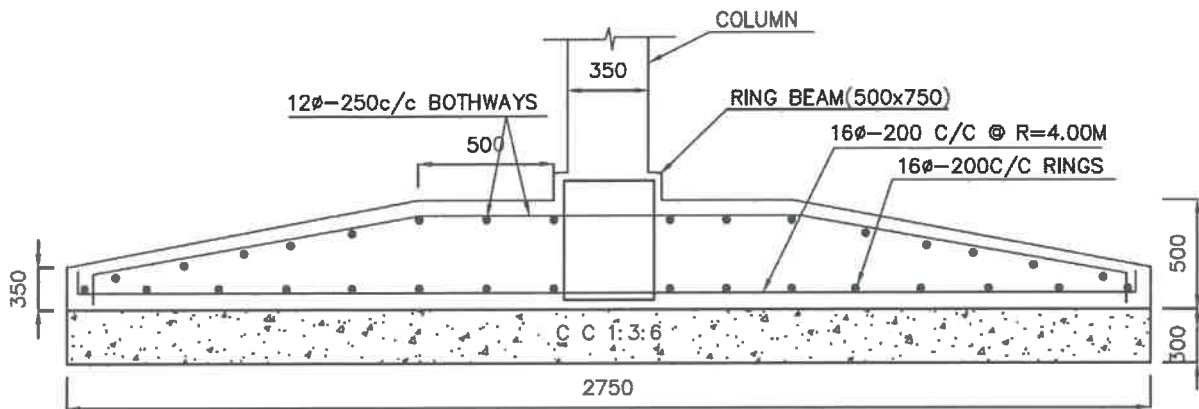
S.B.C. OF SOIL-10T/M<sup>2</sup>

*Saitji* AEE  
*Dee* DEE

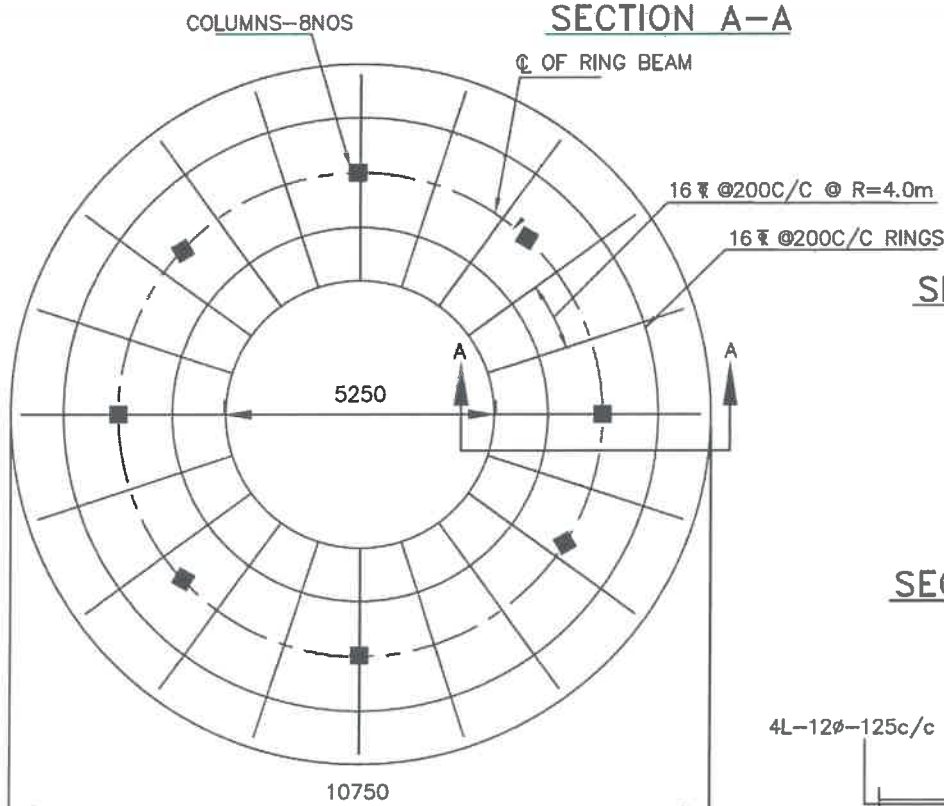
*Y-S* EE

Chief Engineer-II  
RWS&S, Gollapudi  
Vijayawada.

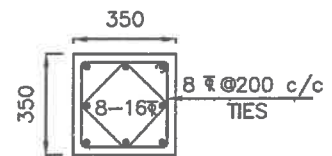




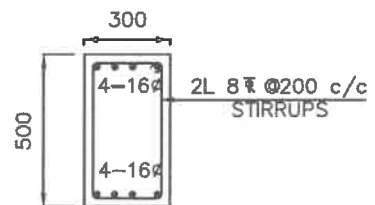
**SECTION A-A**



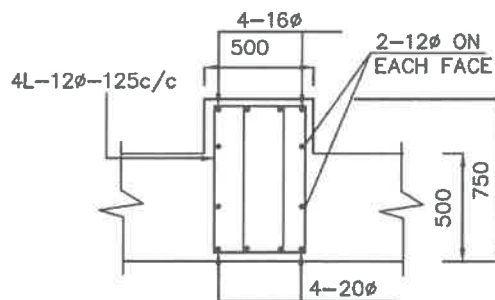
**BOTTOM REINFORCEMENT OF RING FOUNDATION**



**SECTION OF COLUMN**



**SECTION OF BRACE**



**SECTION OF RING BEAM**

**NOTES:**

1. Grade of concrete : M30
- Grade of steel : Fe415
2. Basic wind speed : 42M/Sec
3. Depth of foundation : 2.0M  
below G.L upto top of raft
4. Staging height : 9.90M
- Clear height between the braces : 2.70M
- No. of stagings : 3
5. 8 Nos of 16φ diagonal bars shall be provided at column brace junction //Approved//
6. For detailing of reinforcement I.S SP-34 shall be followed
7. All dimensions are in 'mm' unless specified.

**SCHEME:**

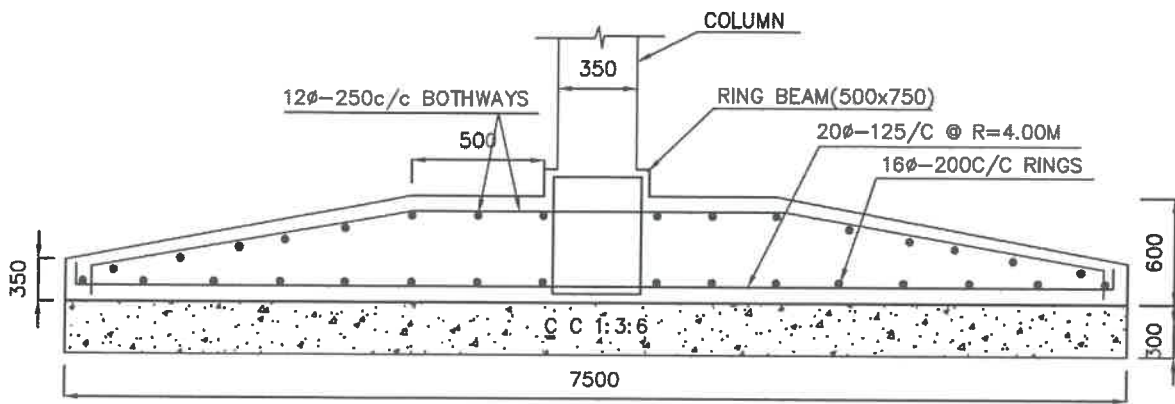
350KL-0 H S R-9.90M STG

S.B.C. OF SOIL-15T/M<sup>2</sup>

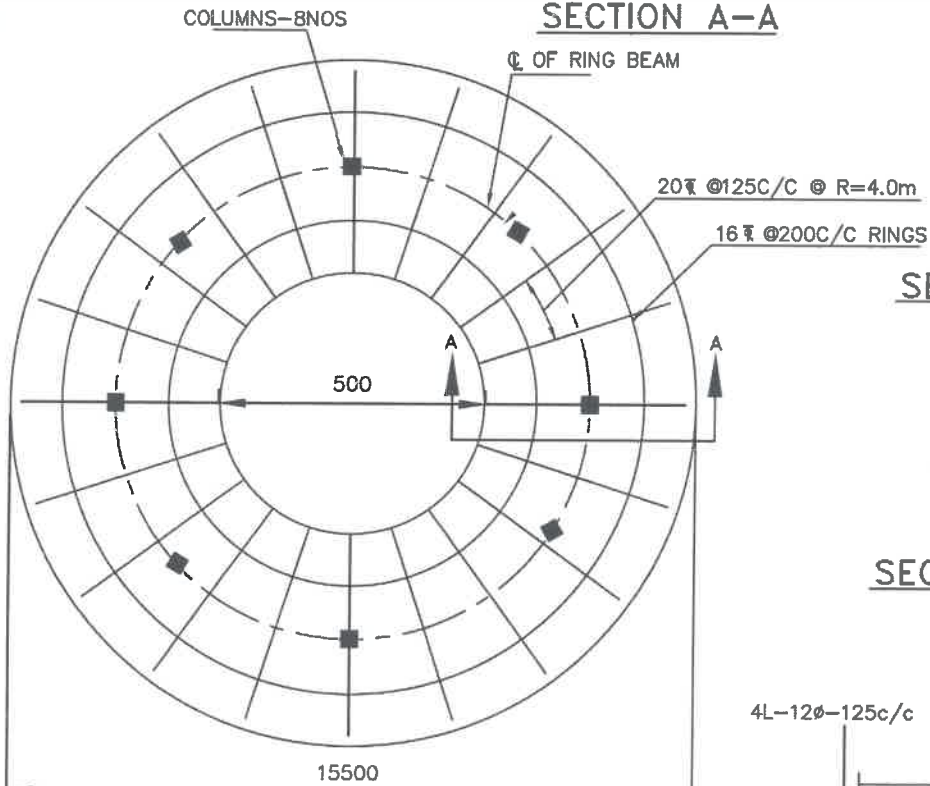
*Signature*  
AEE ABE DEE

*Signature*  
EE

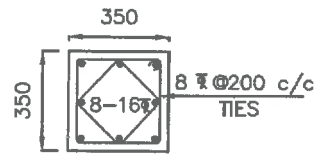
Chief Engineer-II  
RWS&S, Gollapudi  
Vijayawada.



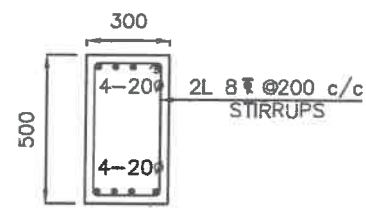
**SECTION A-A**



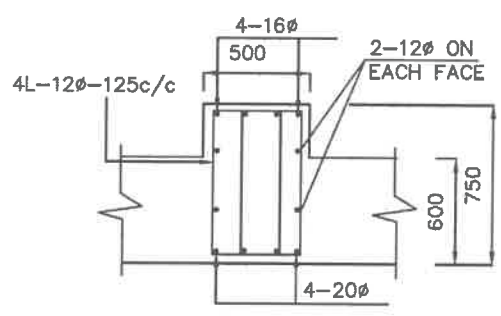
**BOTTOM REINFORCEMENT OF RING FOUNDATION**



**SECTION OF COLUMN**



**SECTION OF BRACE**



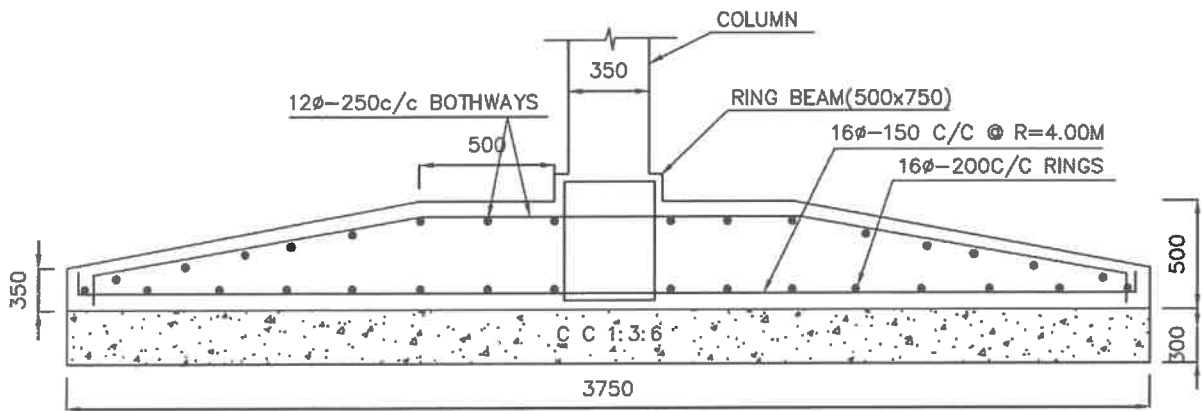
**SECTION OF RING BEAM**

**NOTES:**

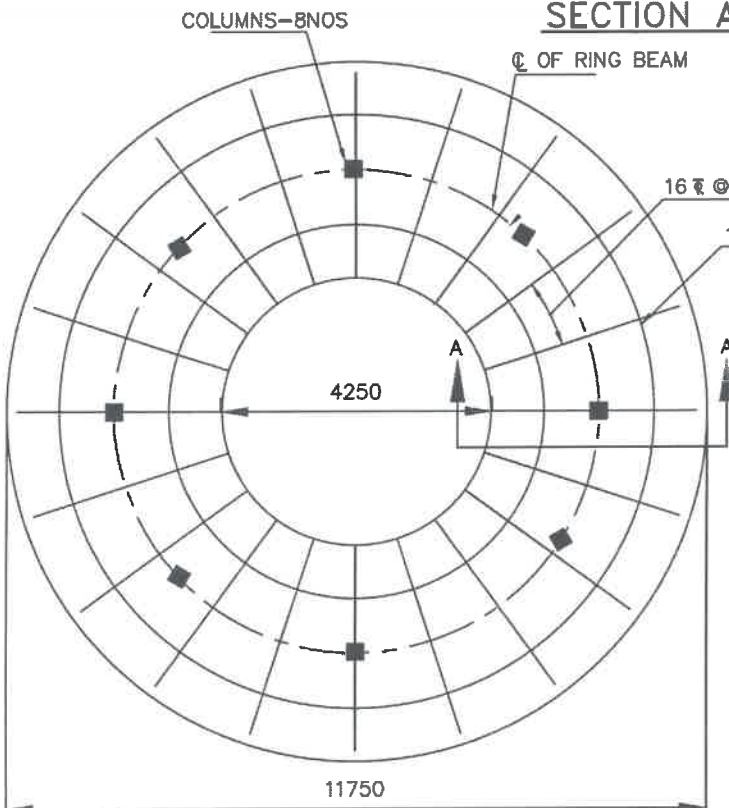
1. Grade of concrete : M30
- Grade of steel : Fe415
2. Basic wind speed : 56M/Sec
3. Depth of foundation : 2.0M
- below G.L upto top of raft
4. Staging height : 9.90M
- Clear height between the braces : 2.70M
- No. of stagings : 3
5. 8 Nos of 16φ diagonal bars shall be provided at column brace junction //Approved//
6. For detailing of reinforcement I.S SP-34 shall be followed
7. All dimensions are in 'mm' unless specified.

<b>SCHEME:</b>
350KL-0 H S R-9.90M STG
S.B.C. OF SOIL-5T/M <sup>2</sup>

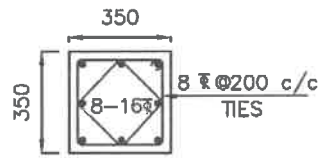
      
 Chief Engineer-II  
 RWS&S, Gollapudi  
 Vijayawada.



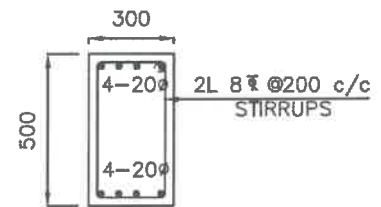
**SECTION A-A**



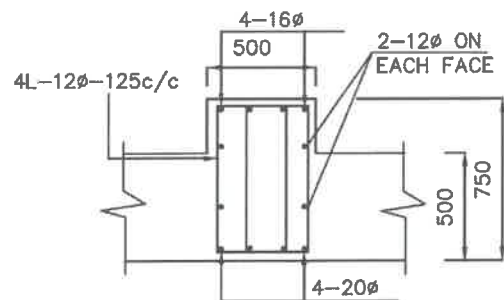
**BOTTOM REINFORCEMENT OF RING FOUNDATION**



**SECTION OF COLUMN**



**SECTION OF BRACE**



**SECTION OF RING BEAM**

**NOTES:**

- |                                      |           |   |
|--------------------------------------|-----------|---|
| 1. Grade of concrete                 | : M30     |   |
| Grade of steel                       | : Fe415   |   |
| 2. Basic wind speed                  | : 56M/Sec |   |
| 3. Depth of foundation               | : 2.0M    |   |
| below G.L upto top of raft           |           |   |
| 4. Staging height                    | : 9.90M   | 6. For detailing of reinforcement               |
| Clear height between the braces      | : 2.70M   | I.S SP-34 shall be followed                     |
| No. of stagings                      | : 3       | 7. All dimensions are in 'mm' unless specified. |
| 5. 8 Nos of 16φ diagonal bars shall  |           |   |
| be provided at column brace junction |           |   |

**SCHEME:**

350KL-0 H S R-9.90M STG

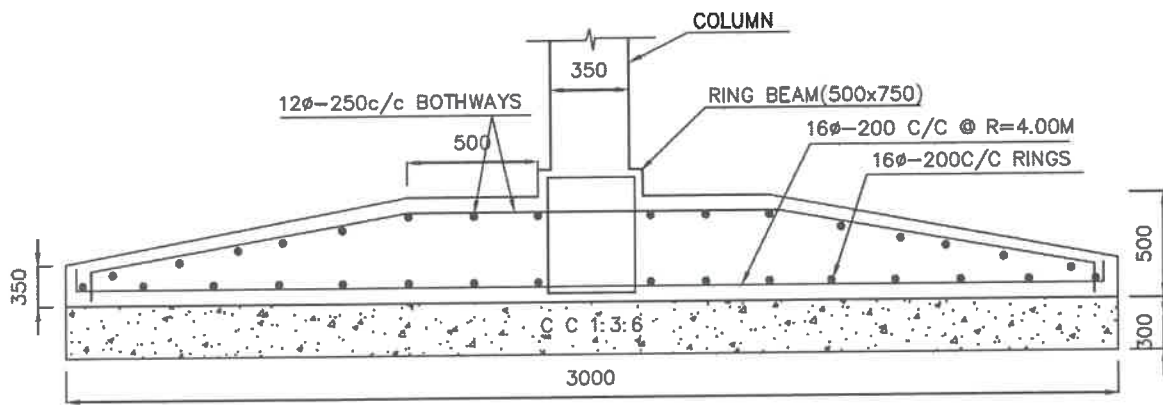
S.B.C. OF SOIL-10T/M<sup>2</sup>

*Signature*  
AEE ABE DEE

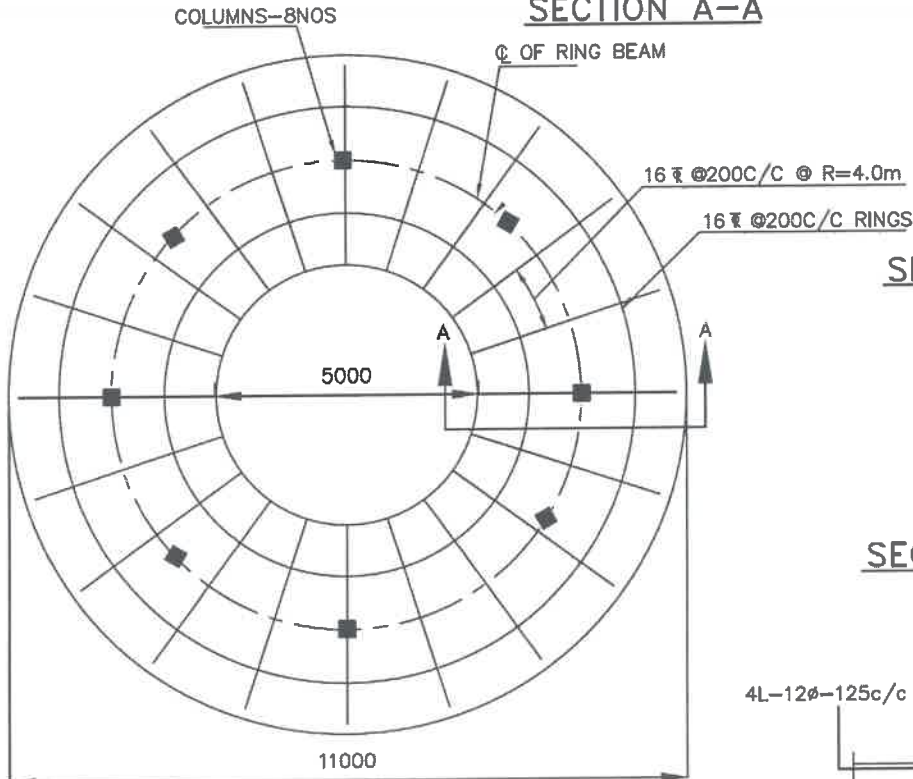
*Signature*  
EE

Chief Engineer-II  
RWS&S, Gollapudi  
Vijayawada.

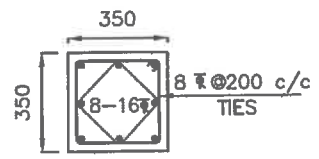




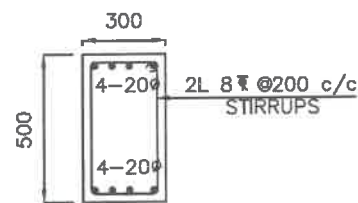
**SECTION A-A**



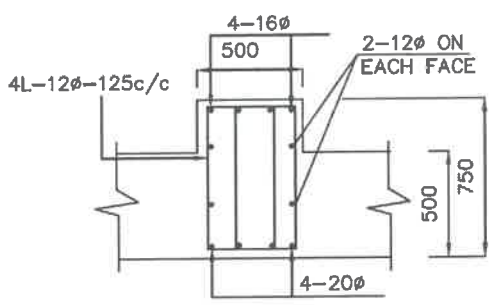
**BOTTOM REINFORCEMENT OF RING FOUNDATION**



**SECTION OF COLUMN**



**SECTION OF BRACE**



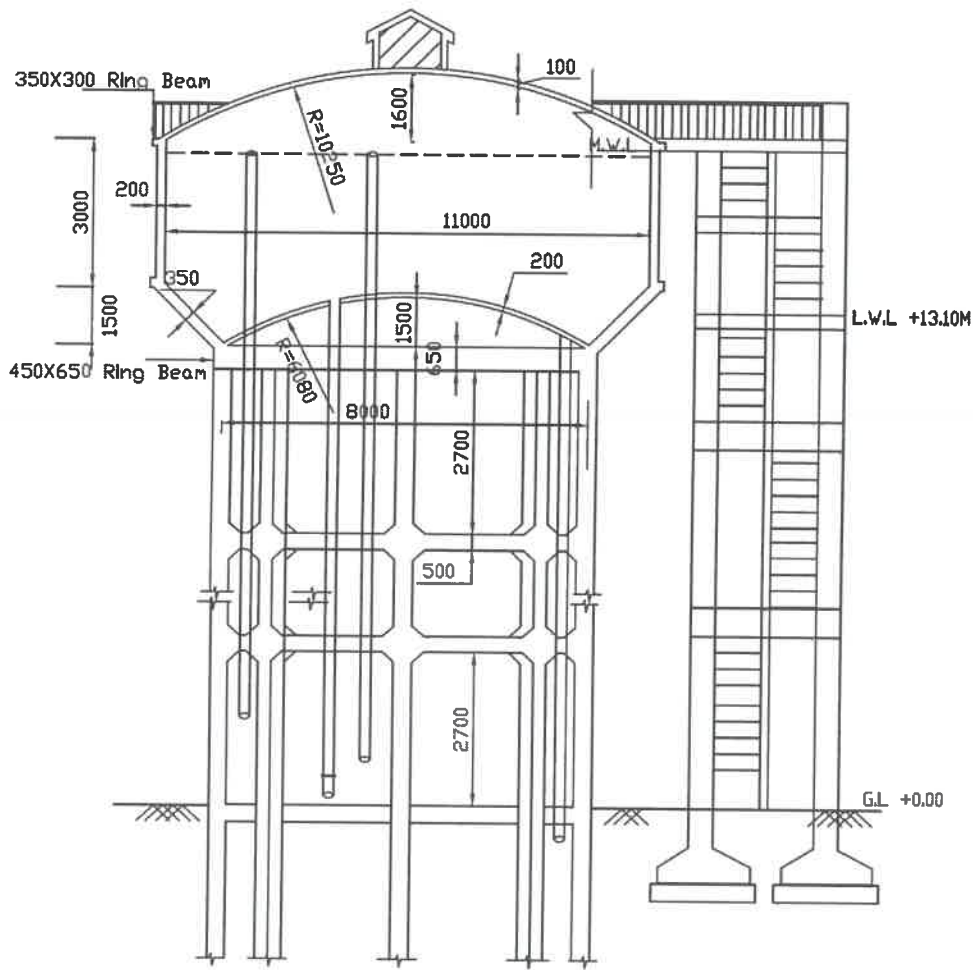
**SECTION OF RING BEAM**

**NOTES:**

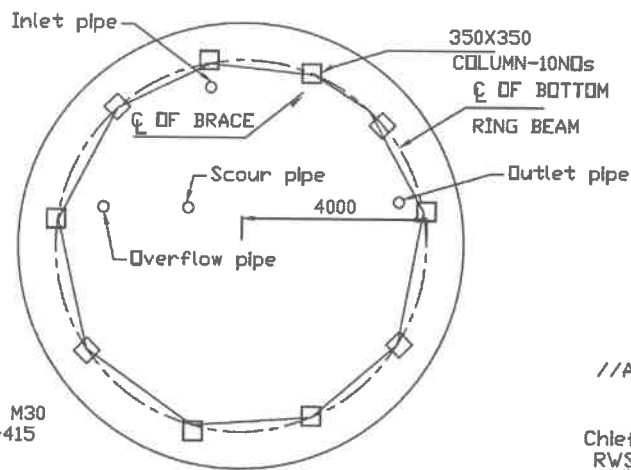
- |  |              |   |
|--|--------------|---|
| 1. Grade of concrete   | : M30        | 6. For detailing of reinforcement               |
| Grade of steel   | : Fe415      | I.S SP-34 shall be followed                     |
| 2. Basic wind speed  | : 56M/Sec    | 7. All dimensions are in 'mm' unless specified. |
| 3. Depth of foundation below G.L upto top of raft                        | : 2.0M       |   |
| 4. Staging height  | : 9.90M      |   |
| Clear height between the braces  | : 2.70M      |   |
| No. of stagings  | : 3          |   |
| 5. 8 Nos of 16φ diagonal bars shall be provided at column brace junction | //Approved// |   |

<b>SCHEME:</b>
350KL-0 H S R-9.90M STG
S.B.C. OF SOIL-15T/M <sup>2</sup>


  
 Chief Engineer-II  
 RWS&S, Gollapudi  
 Vijayawada.



ELEVATION



PLAN

**NOTE:**

- 1.GRADE OF CONCRETE : M30
- 2.GRADE OF STEEL : Fe415
- 3.DEPTH OF FOUNDATION=2.5m BELOW GROUND LEVEL UPTO TOP OF RAFT
- 4.No OF STAGING : 4

//Approved//

Chief Engineer-II  
RWS&S,Gollapudi  
Vijayawada.

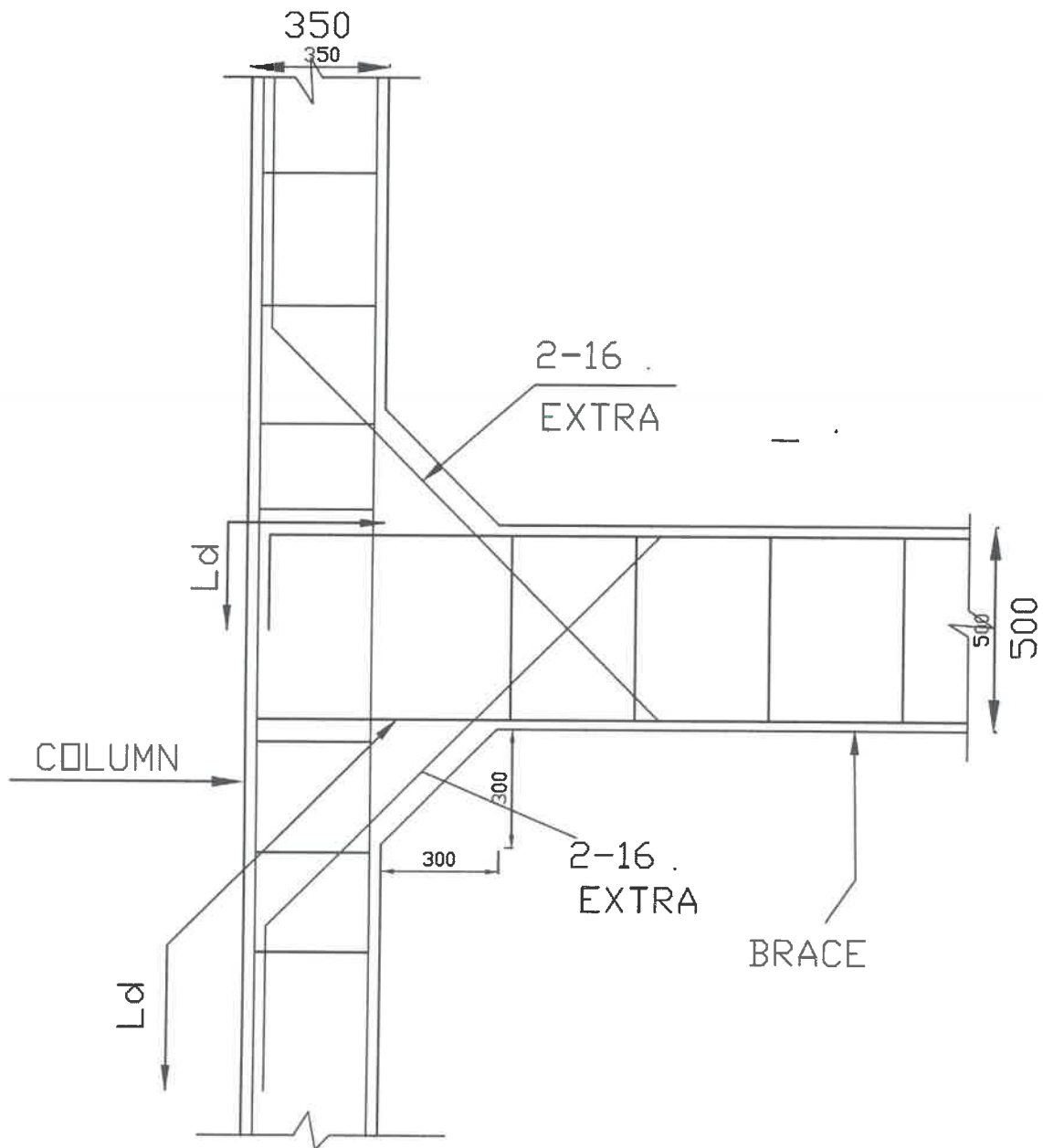
*Subbarao*  
AEE AEE DEE

*YS*  
EE

350 K.L OHBR WITH

13.10M STAGING

Wind Speed 150/200 kmph



## COLUMN BRACE JUNCTION

NOTE:-8 Nos of 16 diagonal bars shall be provided at column brace junction

*Sailja remini*  
AEE AER DEE

*Y-S*  
EE

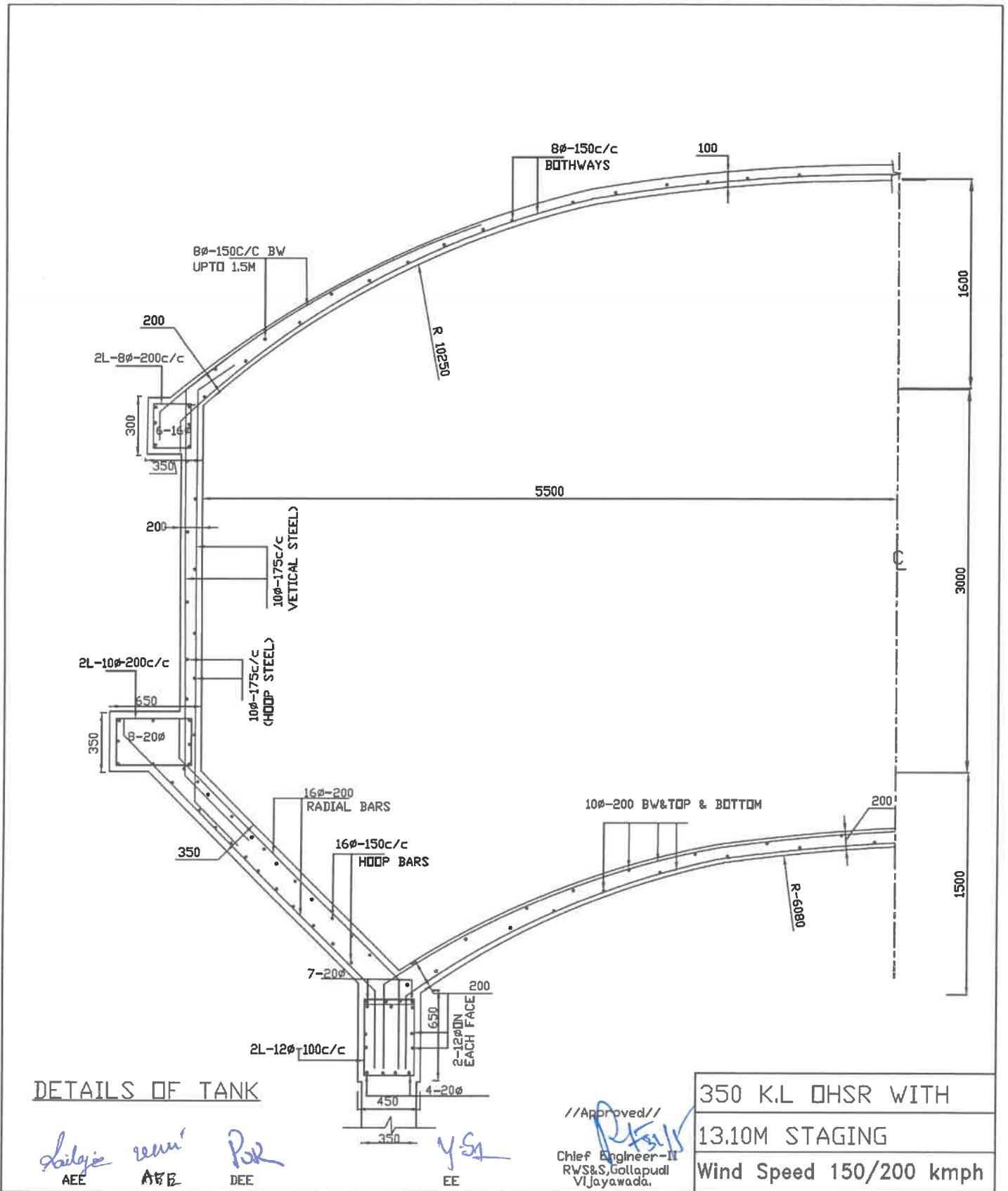
//Approved//  
*R/S*  
Chief Engineer-II  
RWS&S, Gollapudi  
Vijayawada.

LOCATION:

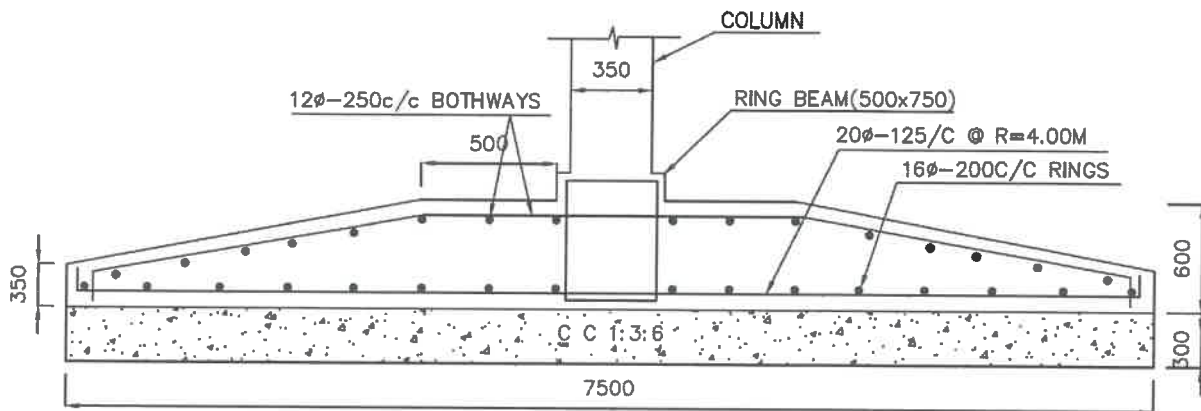
350 KL OHSR-13.10M STG

Wind Speed 150/200 kmph

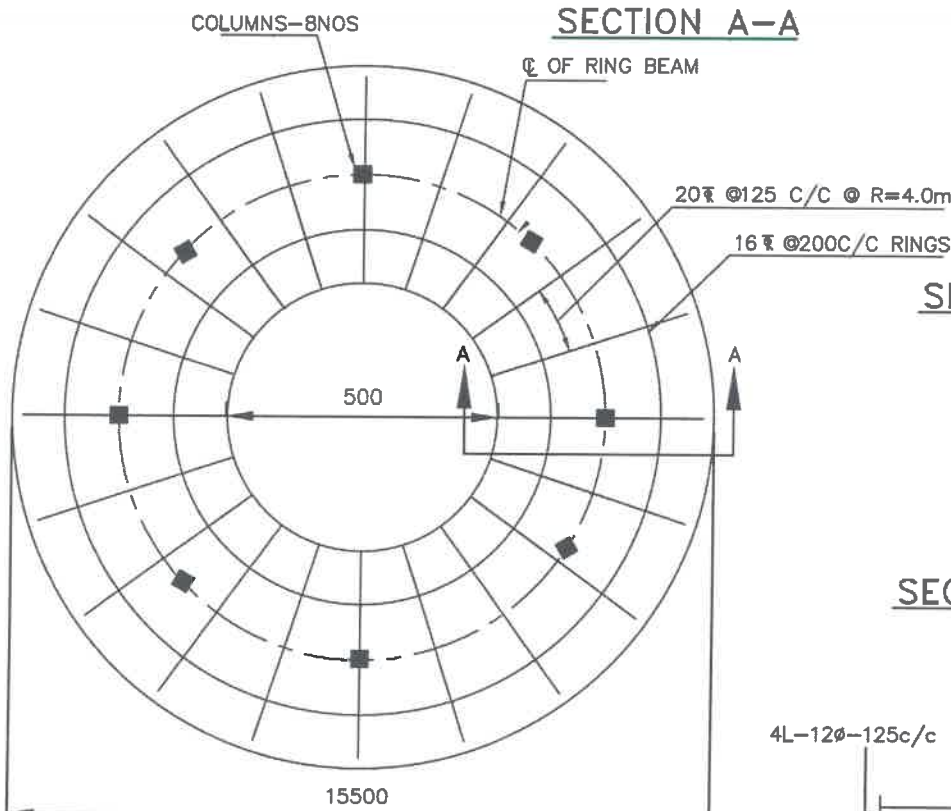
608



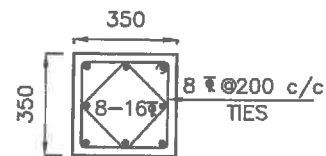
609



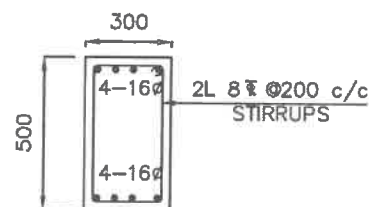
**SECTION A-A**



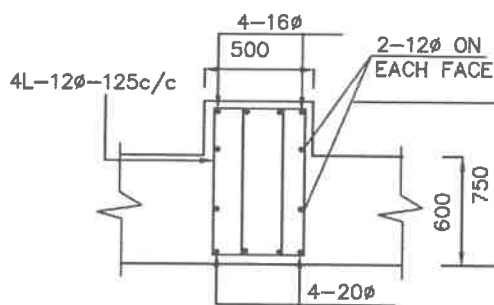
**BOTTOM REINFORCEMENT OF RING FOUNDATION**



**SECTION OF COLUMN**



**SECTION OF BRACE**



**SECTION OF RING BEAM**

**NOTES:**

- |  |           |   |                             |
|--|-----------|---|-----------------------------|
| 1. Grade of concrete   | : M30     | 6. For detailing of reinforcement               | I.S SP-34 shall be followed |
| Grade of steel   | : Fe415   | 7. All dimensions are in 'mm' unless specified. |                             |
| 2. Basic wind speed  | : 42M/Sec |   |                             |
| 3. Depth of foundation below G.L upto top of raft                        | : 2.5M    |   |                             |
| 4. Staging height  | : 13.10M  |   |                             |
| Clear height between the braces  | : 2.70M   |   |                             |
| No. of stagings  | : 4       |   |                             |
| 5. 8 Nos of 16φ diagonal bars shall be provided at column brace junction |           |   |                             |

**SCHEME:**

350KL-0 H S R-13.10M STG

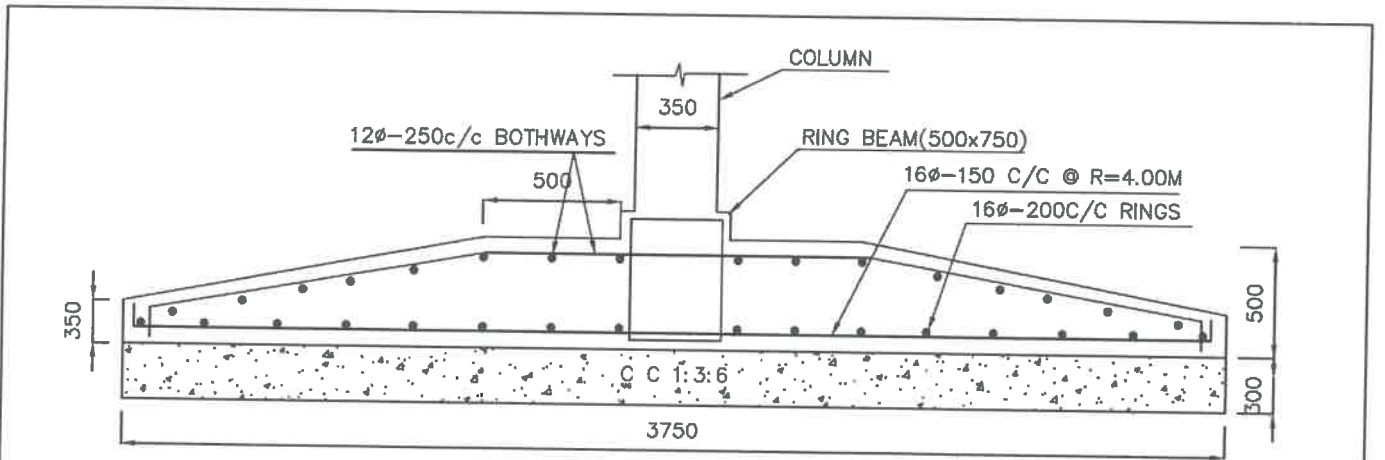
S.B.C. OF SOIL-5T/M<sup>2</sup>

*Satish Kumar*  
AEE AEE DEE

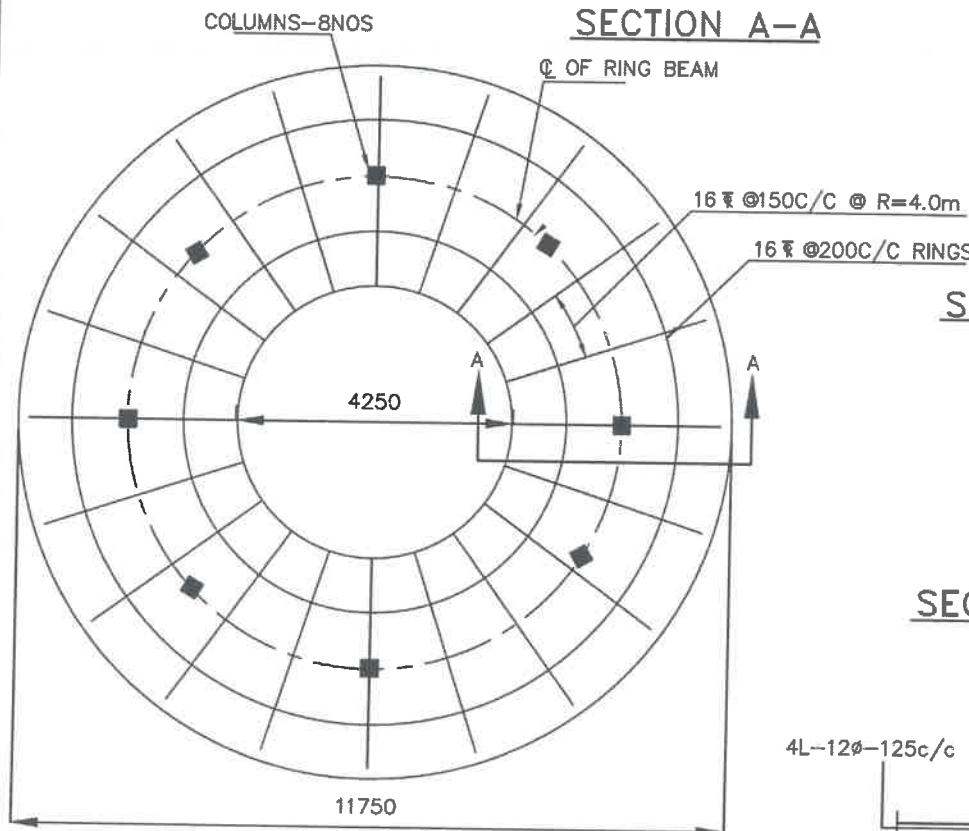
*Y.S*  
EE

*R. Srik*  
Chief Engineer-II  
RWS&S, Gollapudi  
Vijayawada.

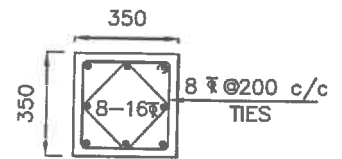




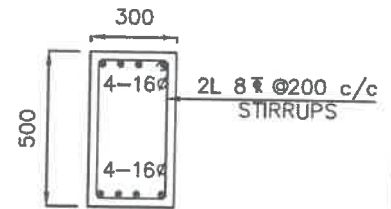
**SECTION A-A**



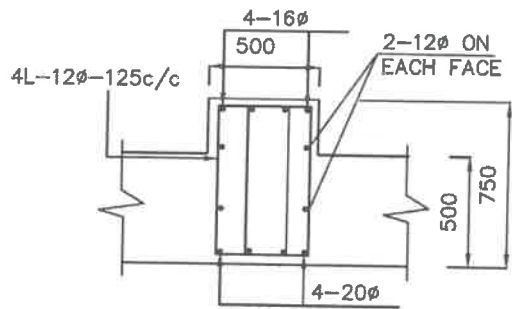
**BOTTOM REINFORCEMENT OF RING FOUNDATION**



**SECTION OF COLUMN**



**SECTION OF BRACE**



**SECTION OF RING BEAM**

**NOTES:**

- Grade of concrete : M30
- Grade of steel : Fe415
- Basic wind speed : 42M/Sec
- Depth of foundation below G.L upto top of raft : 2.5M
- Staging height : 13.10M
- Clear height between the braces : 2.70M
- No. of stagings : 4
- 8 Nos of 16φ diagonal bars shall be provided at column brace junction //Approved//
- For detailing of reinforcement I.S SP-34 shall be followed
- All dimensions are in 'mm' unless specified.

**SCHEME:**

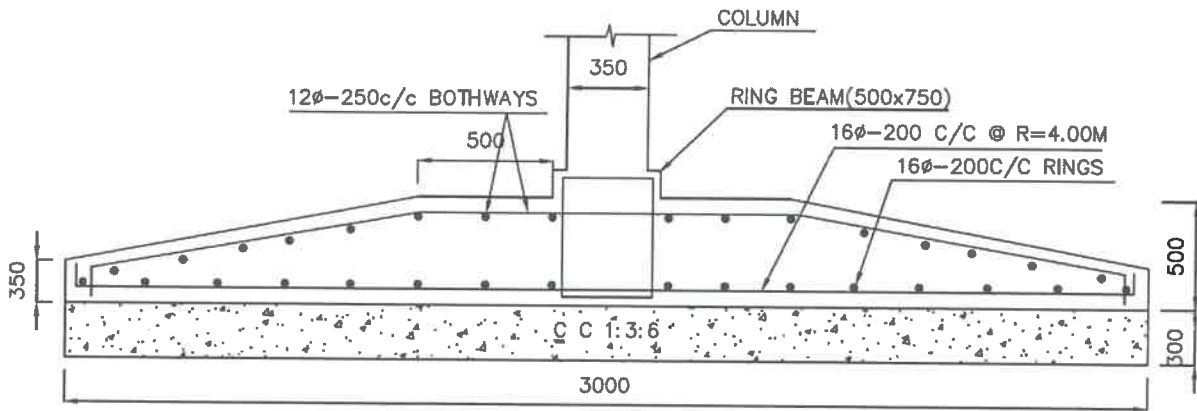
350KL-0 H S R-13.10M STG

S.B.C. OF SOIL-10T/M<sup>2</sup>

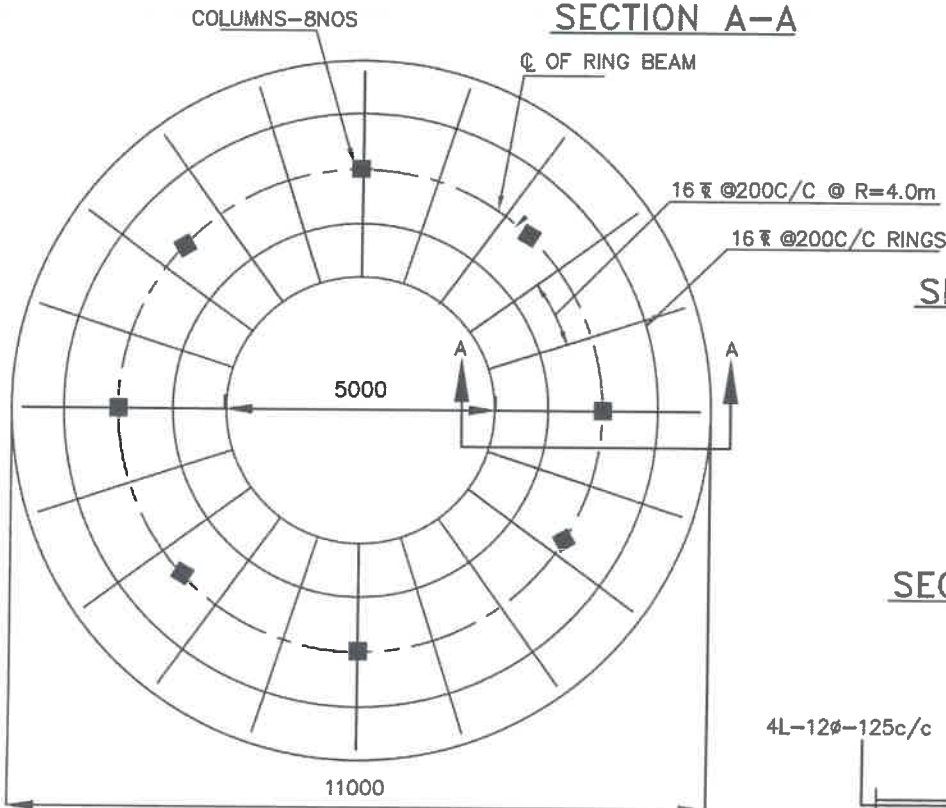
Saitje AEE  
 reem ABE  
 Pop DEE

Y-S  
 EE

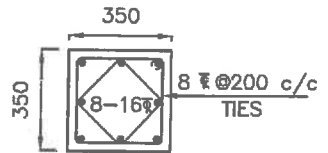
Chief Engineer-II  
 RWS&S, Gollapudi  
 Vijayawada.



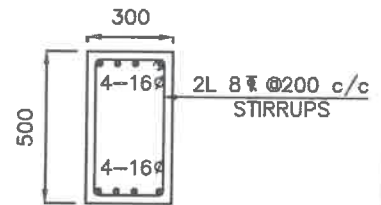
**SECTION A-A**



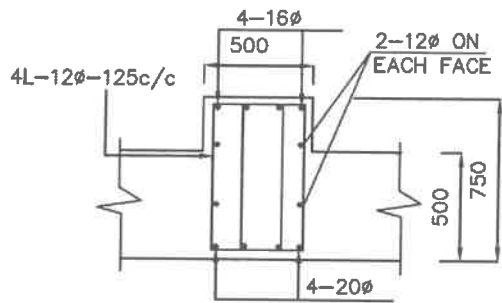
**BOTTOM REINFORCEMENT OF RING FOUNDATION**



**SECTION OF COLUMN**



**SECTION OF BRACE**



**SECTION OF RING BEAM**

**NOTES:**

- Grade of concrete : M30
- Grade of steel : Fe415
- Basic wind speed : 42M/Sec
- Depth of foundation below G.L upto top of raft : 2.5M
- Staging height : 13.10M
- Clear height between the braces : 2.70M
- No. of stagings : 4
- 8 Nos of 16φ diagonal bars shall be provided at column brace junction //Approved//
- For detailing of reinforcement I.S SP-34 shall be followed
- All dimensions are in 'mm' unless specified.

**SCHEME:**

350KL-0 H S R-13.10M STG

S.B.C. OF SOIL-15T/M<sup>2</sup>

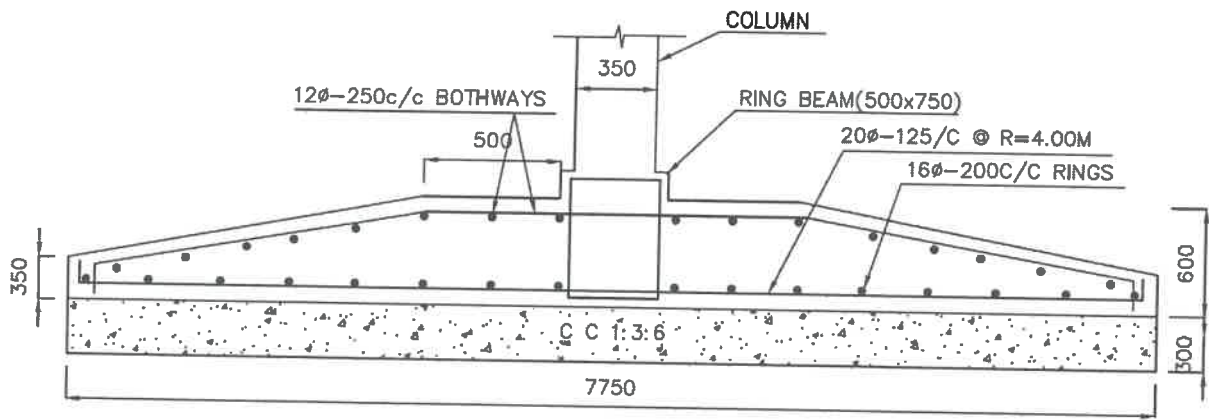
*Signature*  
AEE

*Signature*  
ABE

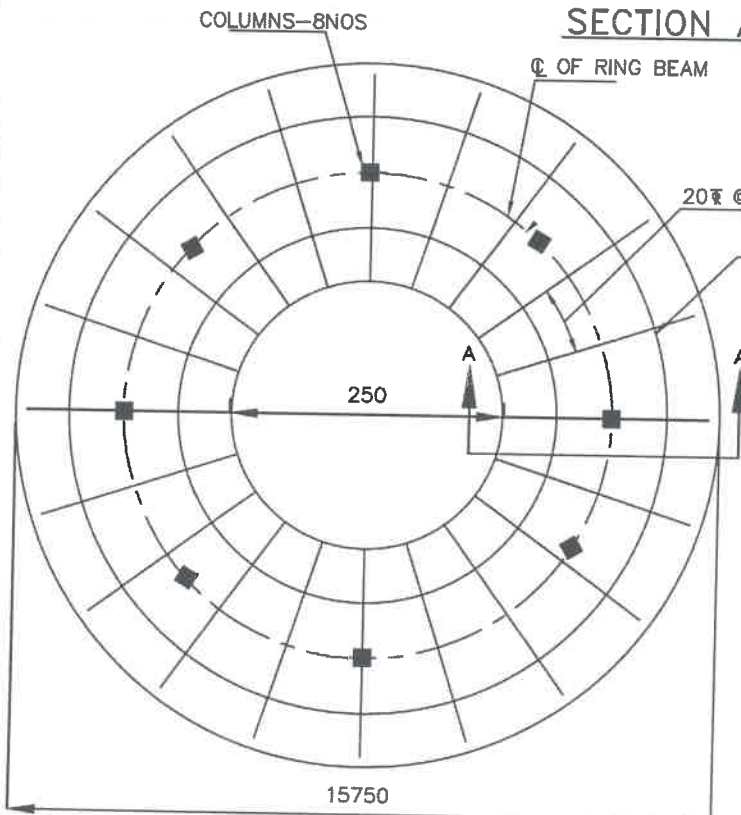
*Signature*  
DEE

*Signature*  
EE

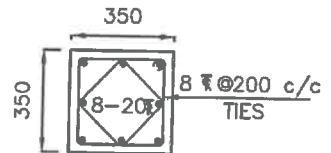
Chief Engineer-II  
RWS&S, Gollapudi  
Vijayawada.



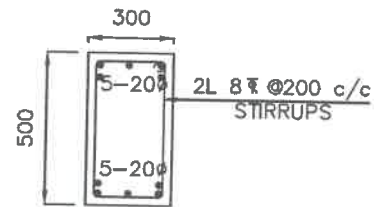
**SECTION A-A**



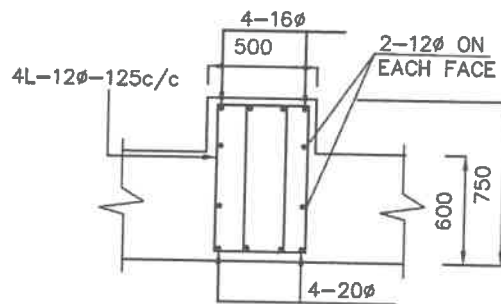
**BOTTOM REINFORCEMENT OF RING FOUNDATION**



**SECTION OF COLUMN**



**SECTION OF BRACE**



**SECTION OF RING BEAM**

**NOTES:**

- Grade of concrete : M30
- Grade of steel : Fe415
- Basic wind speed : 56M/Sec
- Depth of foundation below G.L upto top of raft : 2.5M
- Staging height : 13.10M
- Clear height between the braces : 2.70M
- No. of stagings : 4
- 8 Nos of 16Ø diagonal bars shall be provided at column brace junction //Approved//
- For detailing of reinforcement I.S SP-34 shall be followed
- All dimensions are in 'mm' unless specified.

**SCHEME:**

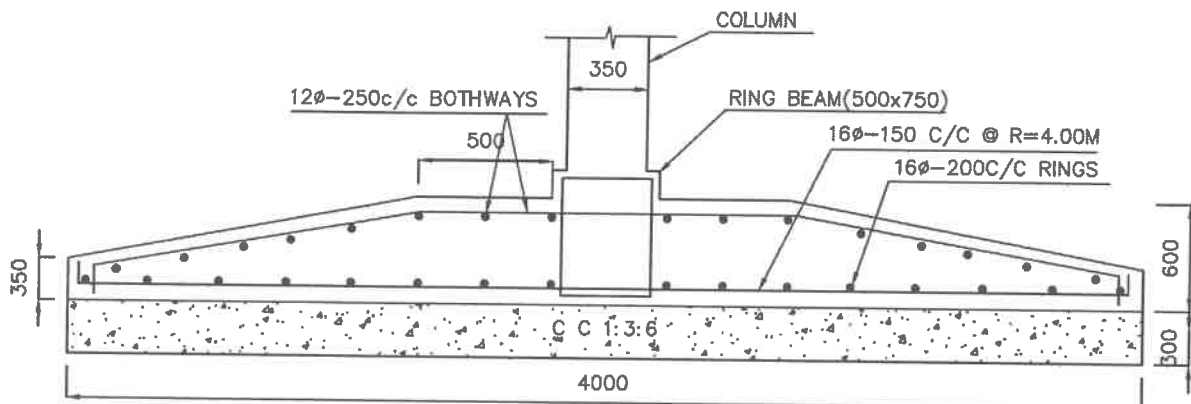
350KL-0 H S R-13.10M STG

S.B.C. OF SOIL-5T/M<sup>2</sup>

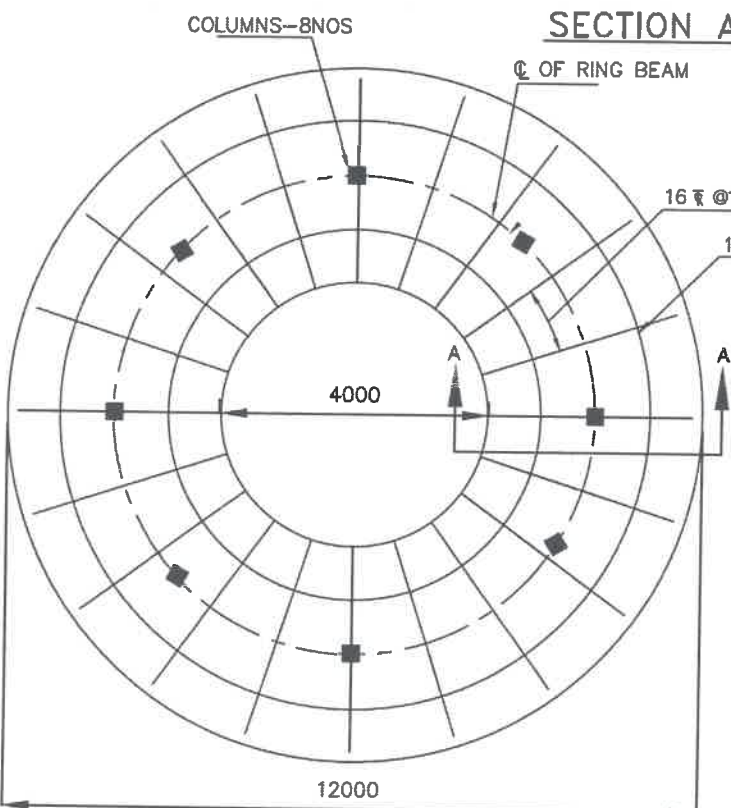
*Shailaja* AEE  
*Devi* AEE  
*PO* DEE

*Y.S* EE

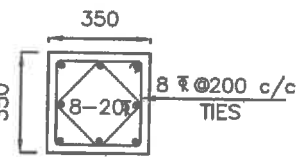
Chief Engineer-II  
RWS&S, Gollapudi  
Vijayawada.



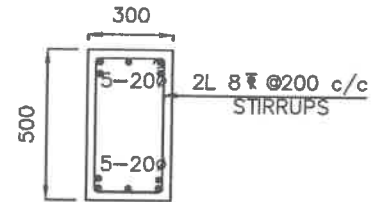
**SECTION A-A**



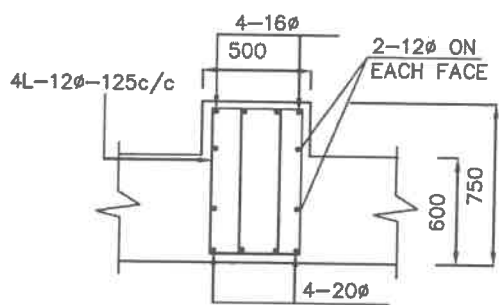
**BOTTOM REINFORCEMENT OF RING FOUNDATION**



**SECTION OF COLUMN**



**SECTION OF BRACE**



**SECTION OF RING BEAM**

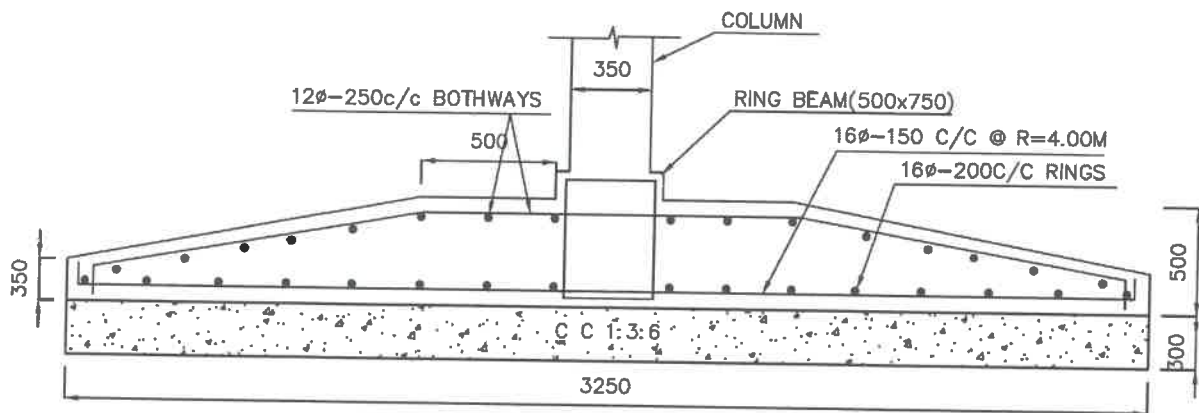
**NOTES:**

1. Grade of concrete : M30
- Grade of steel : Fe415
2. Basic wind speed : 56M/Sec
3. Depth of foundation : 2.5M  
below G.L upto top of raft
4. Staging height : 13.10M
- Clear height between the braces : 2.70M
- No. of stagings : 4
5. 8 Nos of 16φ diagonal bars shall be provided at column brace junction //Approved//
6. For detailing of reinforcement I.S SP-34 shall be followed
7. All dimensions are in 'mm' unless specified.

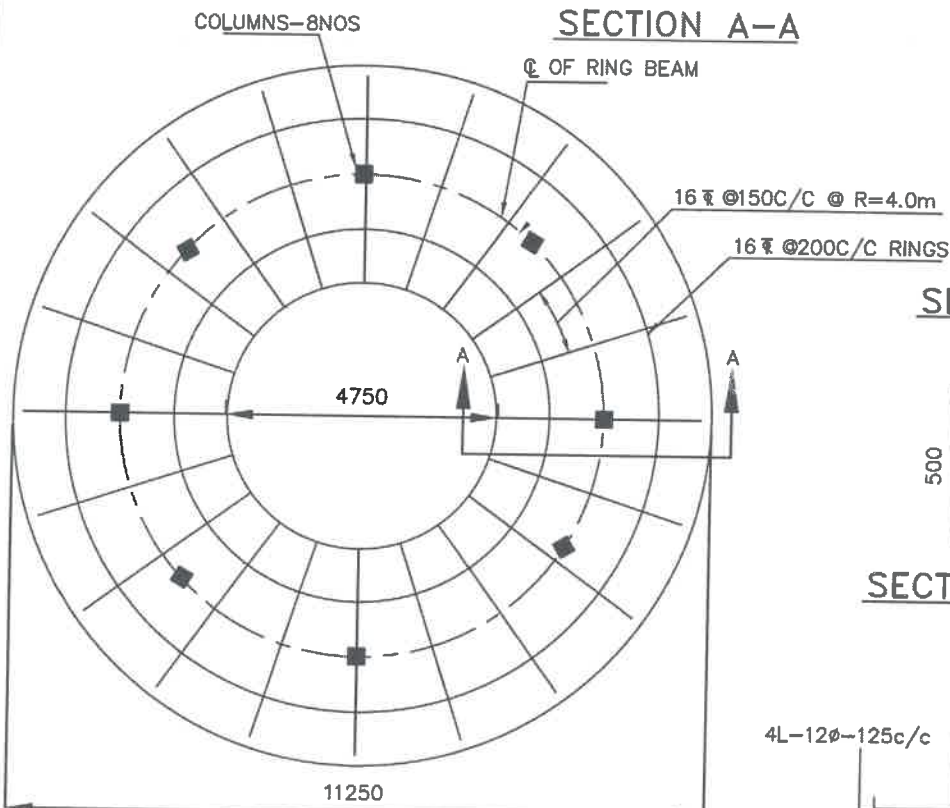
<b>SCHEME:</b>
350KL-0 H S R-13.10M STG
S.B.C. OF SOIL-10T/M <sup>2</sup>


  
 Chief Engineer-II  
 RWS&S, Gollapudi  
 Vijayawada.

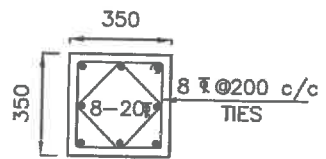




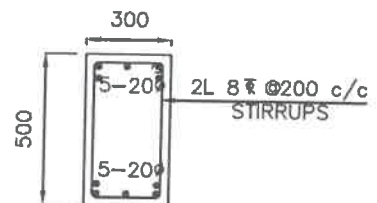
**SECTION A-A**



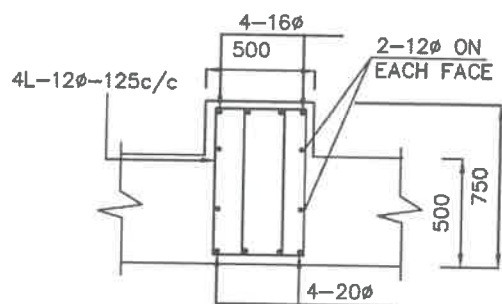
**BOTTOM REINFORCEMENT OF RING FOUNDATION**



**SECTION OF COLUMN**



**SECTION OF BRACE**



**SECTION OF RING BEAM**

**NOTES:**

- Grade of concrete : M30
- Grade of steel : Fe415
- Basic wind speed : 56M/Sec
- Depth of foundation : 2.5M below G.L upto top of raft
- Staging height : 13.10M
- Clear height between the braces : 2.70M
- No. of stagings : 4
- 8 Nos of 16φ diagonal bars shall be provided at column brace junction //Approved//
- For detailing of reinforcement I.S SP-34 shall be followed
- All dimensions are in 'mm' unless specified.

**SCHEME:**

350KL-0 H S R-13.10M STG

S.B.C. OF SOIL-15T/M<sup>2</sup>

*Signature*  
AEE ABE DEE

*Signature*  
EE

Chief Engineer-II  
RWS&S, Gollapudi  
Vijayawada.