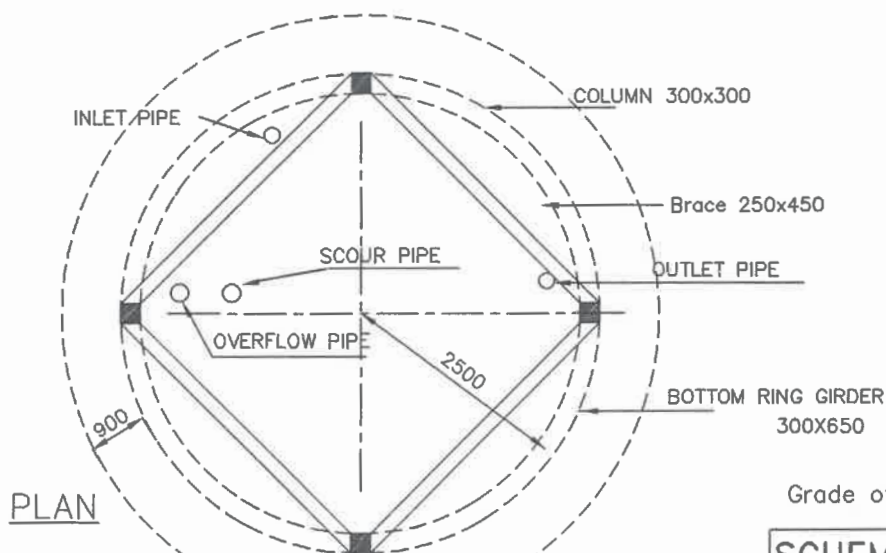


L.W.L. +9.75

CONDITIONS

1. Concrete(All members) :M30
2. Steel :Tor 40,Fe415
3. Clear minimum cover
 - Side walls :45MM
 - Top & Bottom slabs :45MM
 - Beams :45MM
 - Columns :45MM
 - Footings :50MM
4. All dimension are in 'mm' unless specified.
5. The steel should not be overlapped at the junction points
6. Not more than 1/3rd of the bars should be curtailed at a given section
7. Provide RCC stair case

SECTIONAL ELEVATION



PLAN

//Approved//

[Signature]
 Chief Engineer-II
 RWS&S, Gollapudi
 Vijayawada.

Grade of concrete :M30

SCHEME:

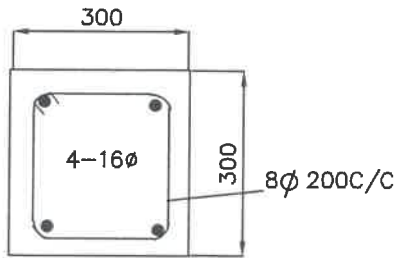
40KL-OHSR

9.75M-STAGING

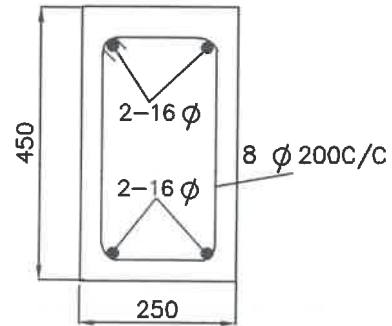
[Signature]
 AEE

[Signature]
 DEE

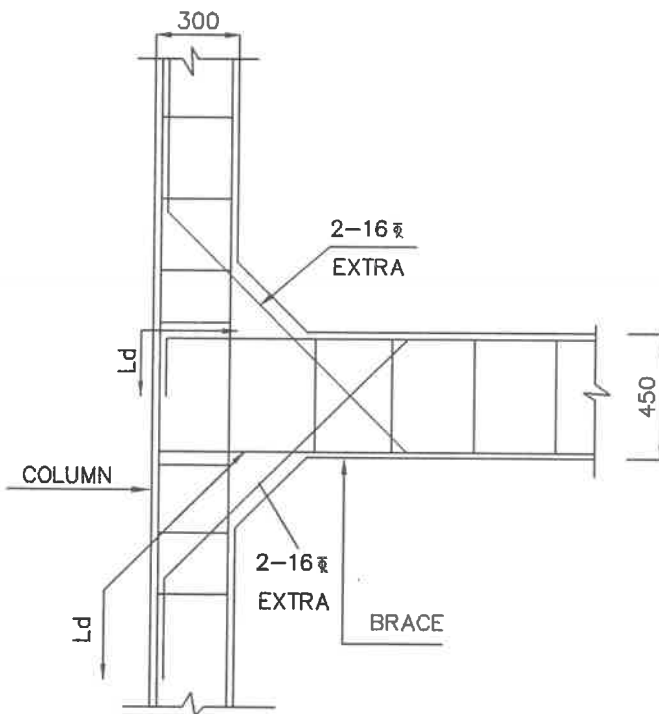
[Signature]
 EE



SECTION OF COLUMN



SECTION OF BRACE



COLUMN BRACE JUNCTION

CONDITIONS

1. Concrete (All members) : M30
2. Steel : Tor 40, Fe415
3. Clear minimum cover
 - Side walls : 45MM
 - Top & Bottom slabs : 45MM
 - Beams : 45MM
 - Columns : 45MM
 - Footings : 50MM
4. All dimension are in 'mm' unless specified.
5. The steel should not be overlapped at the junction points
6. Not more than 1/3rd of the bars should be curtailed at a given section

Grade of concrete : M30

AEE
AEE

DEE
DEE

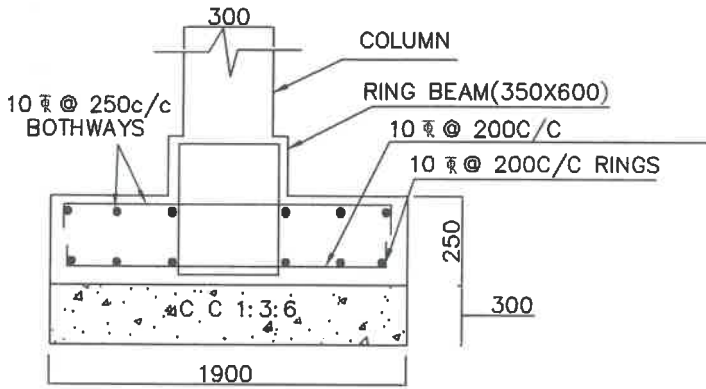
EE
EE

//Approved//
[Signature]
Chief Engineer-II
RWS&S, Gollapudi
Vijayawada.

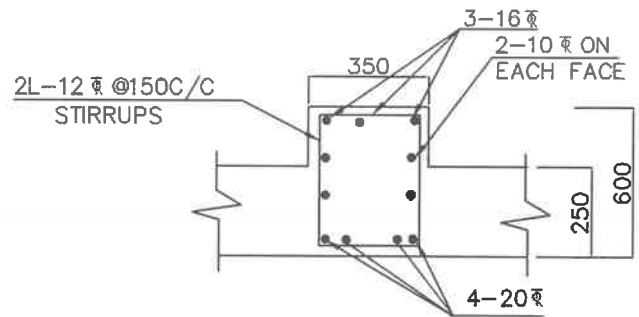
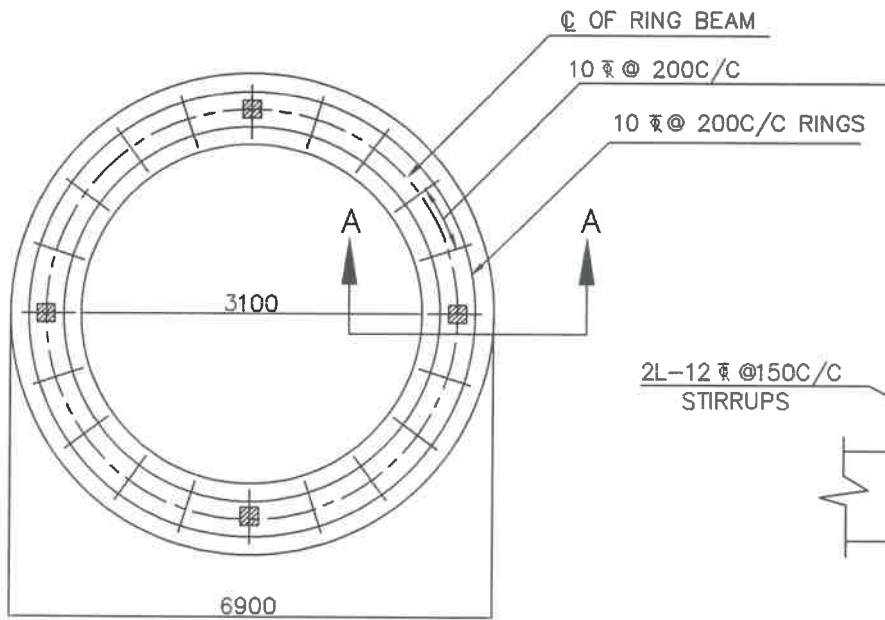
SCHEME:

40KL-OHSR-9.75m stg

WIND SPEED: 150KMPH



SECTION A-A



SECTION OF RING BEAM

BOTTOM REINFORCEMENT OF RING FOUNDATION

NOTE:

1. Grade of concrete : M30
- Grade of steel : Fe415
2. Basic wind speed : 150 KMPH
3. Depth below foundation : 2.0M
4. Staging height : 9.75m

Clear height between the braces : 2.70
No of stagings : 3

5. 8Nos of 16 diagonal bars shall be provided at column brace junction

6. For detailing of reinforcement IS Sp-34 shall be followed
7. All dimensions are in mm unless specified
8. all side covers 50mm

Grade of concrete : M30

K. Srinivas
AEE

P. R. S.
DEE

Y. S.
EE

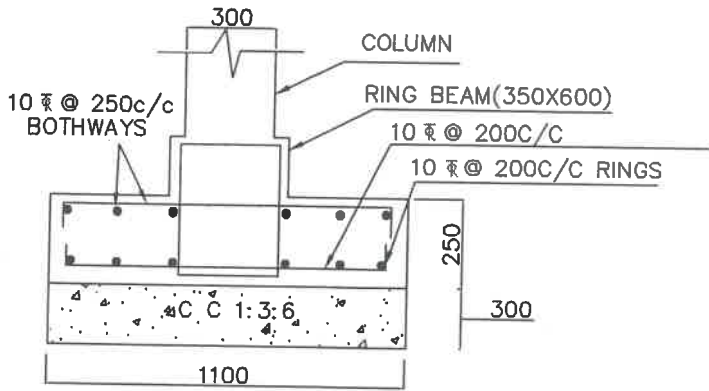
//Approved//

M. S. S.
Chief Engineer-II
RWS&S, Gollapudi
Vijayawada.

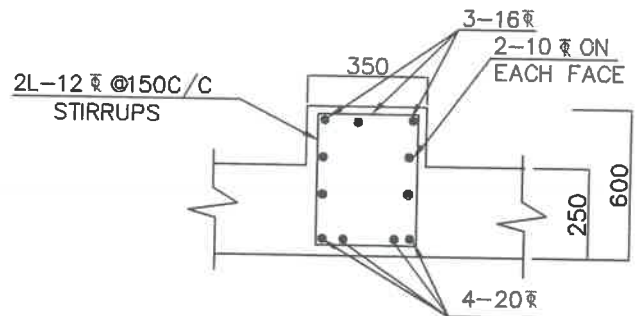
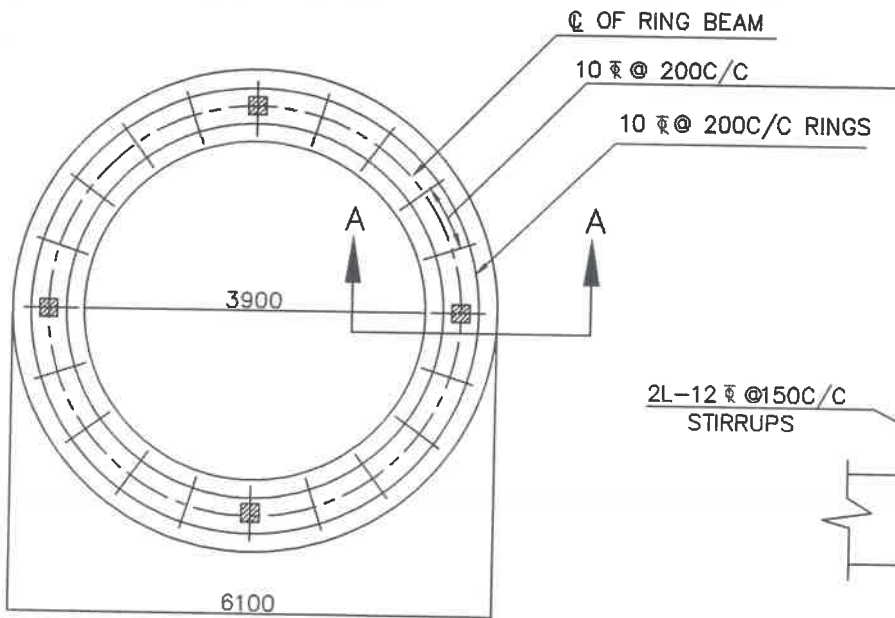
SCHEME:

40KL-OHSR-9.75m stg

SBC SOIL = 5.0T/M²



SECTION A-A



SECTION OF RING BEAM

BOTTOM REINFORCEMENT OF RING FOUNDATION

NOTE:

- | | | | |
|--|------------|--|----------------------------|
| 1. Grade of concrete | : M30 | 6. For detailing of reinforcement | IS Sp-34 shall be followed |
| Grade of steel | : Fe415 | 7. All dimensions are in mm unless specified | |
| 2. Basic wind speed | : 150 KMPH | 8. all side covers 50mm | |
| 3. Depth below foundation | : 2.0M | | |
| 4. Staging height | : 9.75m | | |
| Clear height between the braces | : 2.70 | | |
| No of stagings | 3 | | |
| 5. 8Nos of 16 diagonal bars shall be provided at column brace junction | | | |

Grade of concrete : M30

AEE
AEE

DEE
DEE

EE
EE

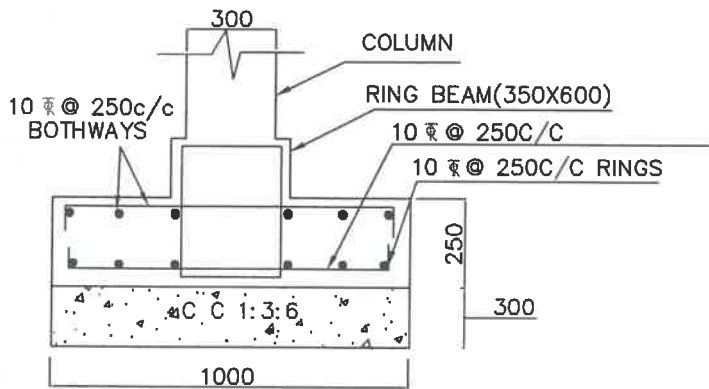
//Approved//

Chief Engineer-II
Chief Engineer-II
RWS&S, Gollapudi
Vijayawada.

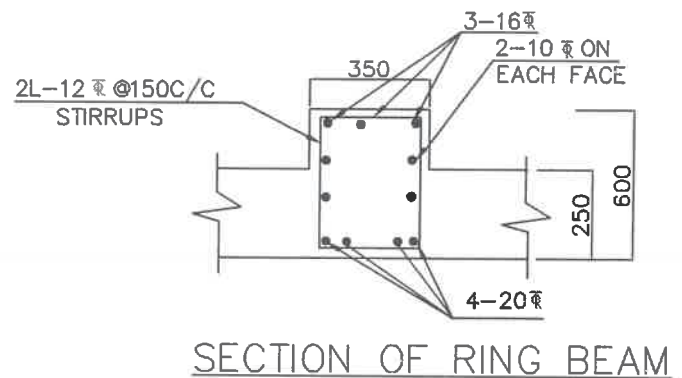
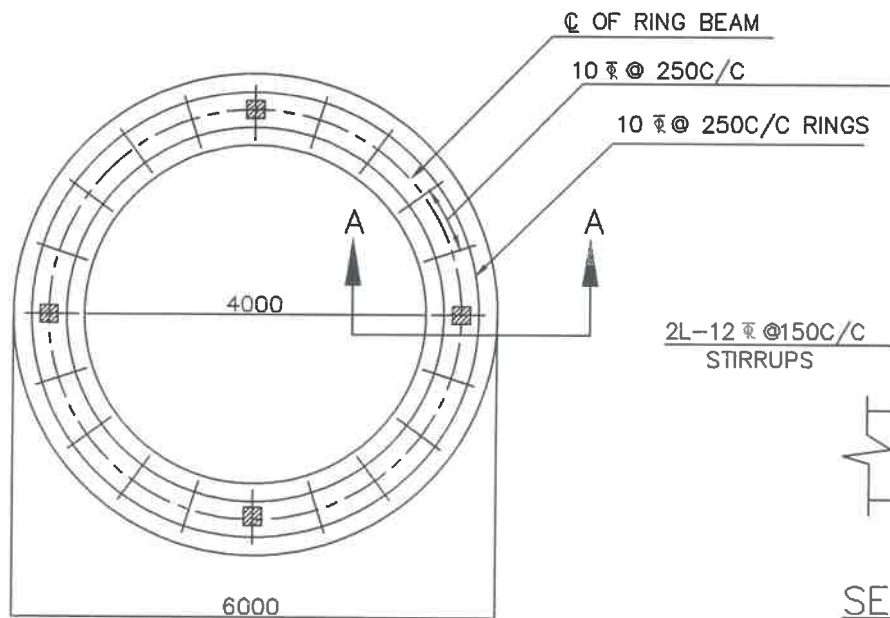
SCHEME:

40KL-OHSR-9.75m stg

SBC SOIL = 10.0T/M²



SECTION A-A



SECTION OF RING BEAM

BOTTOM REINFORCEMENT OF RING FOUNDATION

NOTE:

- | | | | |
|--|------------|--|----------------------------|
| 1. Grade of concrete | : M30 | 6. For detailing of reinforcement | IS Sp-34 shall be followed |
| Grade of steel | : Fe415 | 7. All dimensions are in mm unless specified | |
| 2. Basic wind speed | : 150 KMPH | 8. all side covers 50mm | |
| 3. Depth below foundation | : 2.0M | | |
| 4. Staging height | : 9.75m | | |
| Clear height between the braces | : 2.70 | | |
| No of stagings | 3 | | |
| 5. 8Nos of 16 diagonal bars shall be provided at column brace junction | | | |

Grade of concrete : M30

SCHEME:

40KL-OHSR-9.75m stg

SBC SOIL $\geq 15.0T/M^2$

//Approved//

AEE

AEE

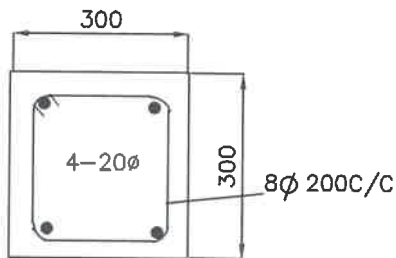
DEE

DEE

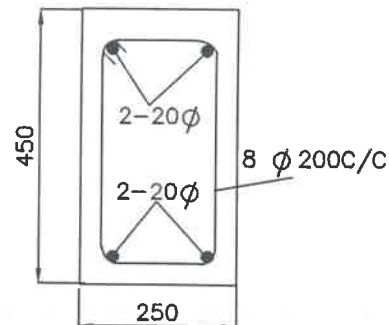
EE

EE

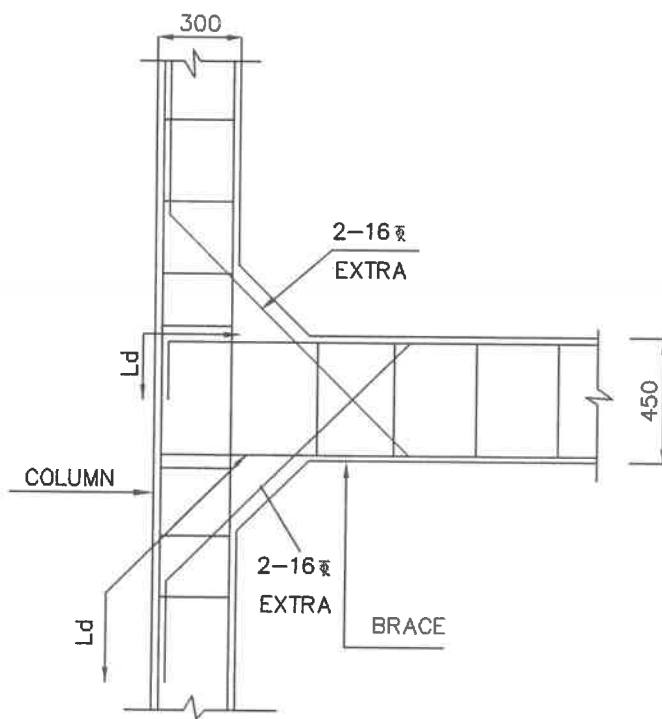
Chief Engineer-II
RWS&S, Gollapudi
Vijayawada.



SECTION OF COLUMN



SECTION OF BRACE



COLUMN BRACE JUNCTION

CONDITIONS

1. Concrete (All members) : M30
2. Steel : Tor 40, Fe415
3. Clear minimum cover
 - Side walls : 45MM
 - Top & Bottom slabs : 45MM
 - Beams : 45MM
 - Columns : 45MM
 - Footings : 50MM
4. All dimension are in 'mm' unless specified.
5. The steel should not be overlapped at the junction points
6. Not more than 1/3rd of the bars should be curtailed at a given section

Grade of concrete : M30

AEE
AEE

DEE
DEE

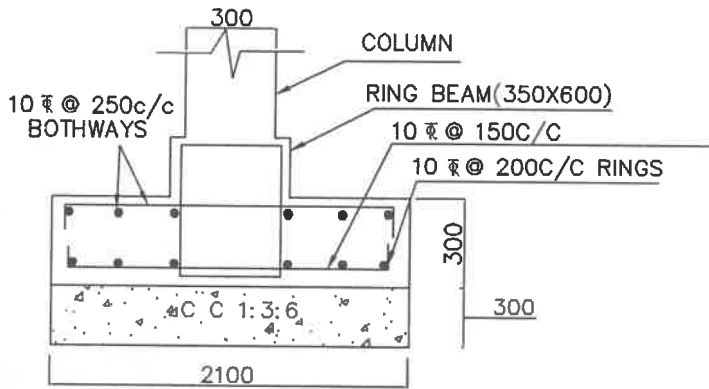
EE
EE

//Approved//
Chief Engineer-II
RWS&S, Gollapudi
Vijayawada.

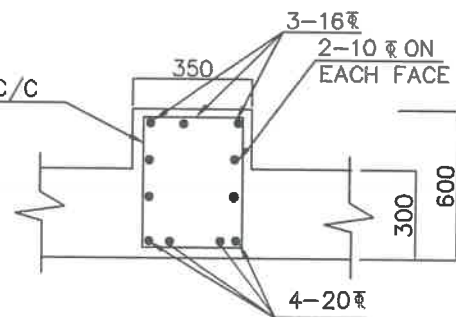
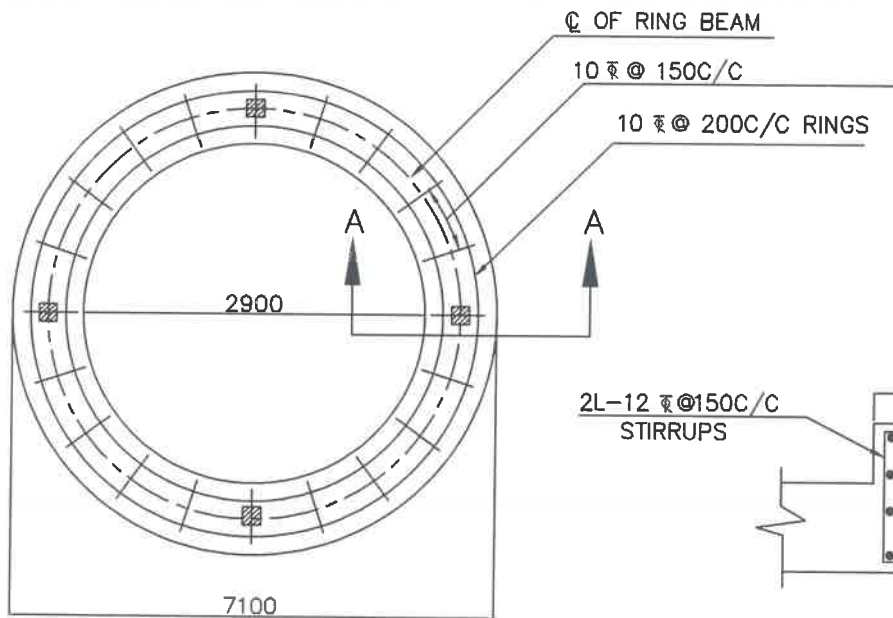
SCHEME:

40KL-OHSR-9.75m stg

WIND SPEED: 200KMPH



SECTION A-A



SECTION OF RING BEAM

BOTTOM REINFORCEMENT OF RING FOUNDATION

NOTE:

- | | | | |
|---------------------------|------------|--|----------------------------|
| 1. Grade of concrete | : M30 | 6. For detailing of reinforcement | IS Sp-34 shall be followed |
| Grade of steel | : Fe415 | 7. All dimensions are in mm unless specified | |
| 2. Basic wind speed | : 200 KMPH | 8. all side covers 50mm | |
| 3. Depth below foundation | : 2.0M | | |
| 4. Staging height | : 9.75m | | |

Clear height between the braces : 2.70
No of stagings : 3

5. 8Nos of 16 diagonal bars shall be provided at column brace junction

Grade of concrete : M30

[Signature]
AEE

[Signature]
DEE

[Signature]
EE

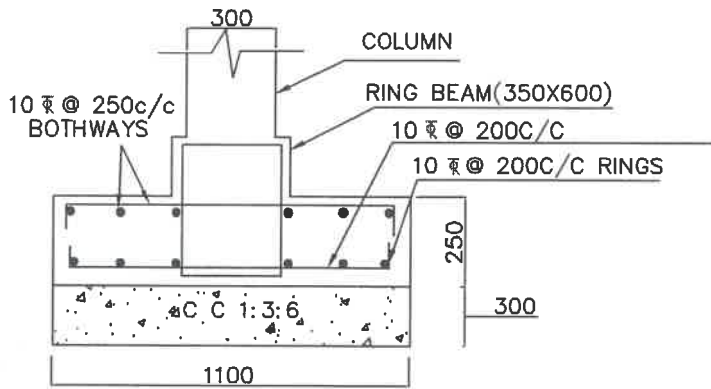
//Approved//

[Signature]
Chief Engineer-II
RWS&S, Gollapudi
Vijayawada.

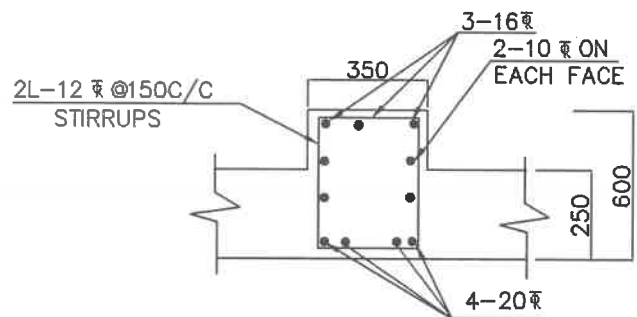
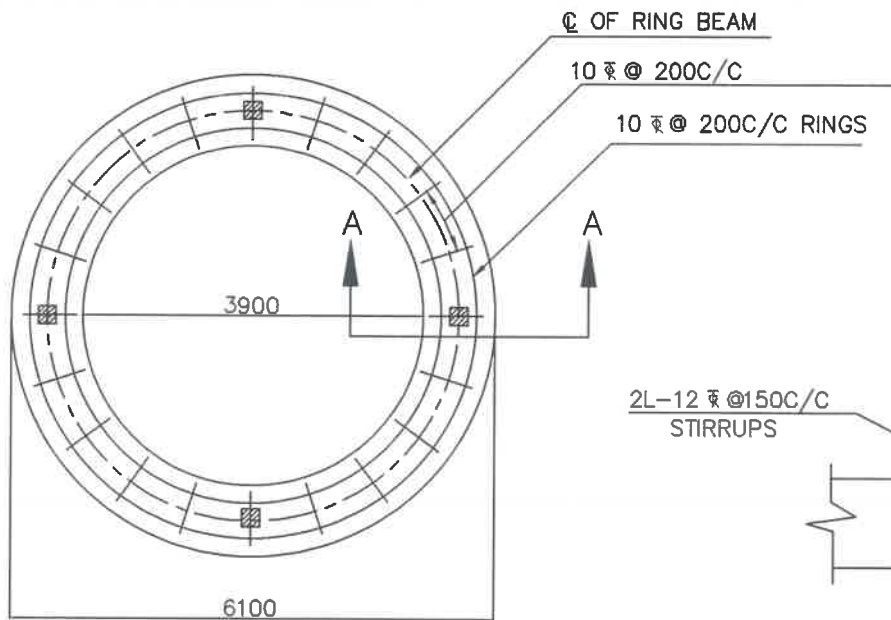
SCHEME:

40KL-OHSR-9.75m stg

SBC SOIL = 5.0T/M²



SECTION A-A



SECTION OF RING BEAM

BOTTOM REINFORCEMENT OF RING FOUNDATION

NOTE:

- | | | | |
|--|------------|--|----------------------------|
| 1. Grade of concrete | : M30 | 6. For detailing of reinforcement | IS Sp-34 shall be followed |
| Grade of steel | : Fe415 | 7. All dimensions are in mm unless specified | |
| 2. Basic wind speed | : 200 KMPH | 8. all side covers 50mm | |
| 3. Depth below foundation | : 2.0M | | |
| 4. Staging height | : 9.75m | | |
| Clear height between the braces | : 2.70 | | |
| No of stagings | 3 | | |
| 5. 8Nos of 16 diagonal bars shall be provided at column brace junction | | | |

Grade of concrete : M30

SCHEME:

40KL-OHSR-9.75m stg

SBC SOIL = 10.0T/M²

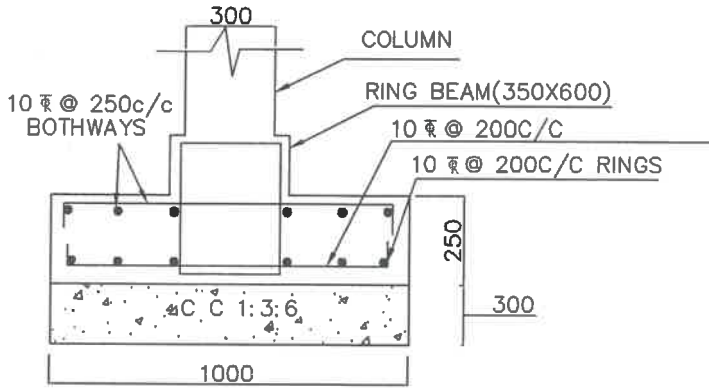
//Approved//

[Signature]
AEE

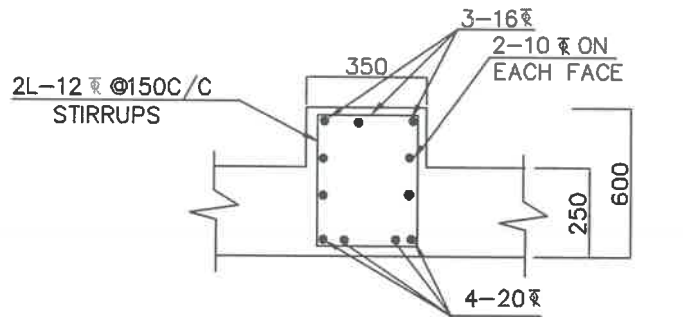
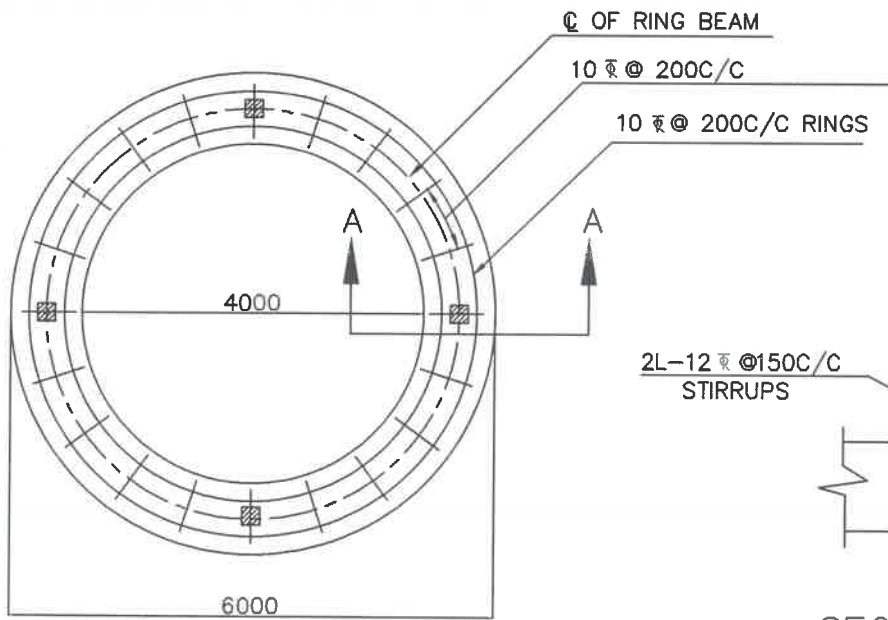
[Signature]
DEE

[Signature]
EE

[Signature]
Chief Engineer-II
RWS&S, Gollapudi
Vijayawada.



SECTION A-A



SECTION OF RING BEAM

BOTTOM REINFORCEMENT OF RING FOUNDATION

NOTE:

- | | | | |
|--|------------|--|----------------------------|
| 1. Grade of concrete | : M30 | 6. For detailing of reinforcement | IS Sp-34 shall be followed |
| Grade of steel | : Fe415 | 7. All dimensions are in mm unless specified | |
| 2. Basic wind speed | : 200 KMPH | 8. all side covers 50mm | |
| 3. Depth below foundation | : 2.0M | | |
| 4. Staging height | : 9.75m | | |
| Clear height between the braces | : 2.70 | | |
| No. of stagings | 3 | | |
| 5. 8Nos of 16 diagonal bars shall be provided at column brace junction | | | |

Grade of concrete : M30

//Approved//

AEE
AEE

DEE
DEE

EE
EE

Chief Engineer-II
Chief Engineer-II
RWS&S, Gollapudi
Vijayawada.

SCHEME:

40KL-OHSR-9.75m stg

SBC SOIL $\geq 15.0T/M^2$