

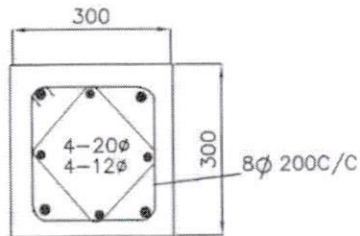
DETAILS OF SIDE WALL, TOP & BOTTOM DOMES

Por
Asst Executive Engineer

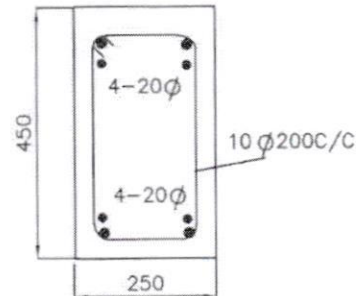
RJB
7.3.2019
Dy. Executive Engineer

// Approved //
[Signature]
Civil Engineer-II
RWS&S, Gollapudi
Vijayawada.

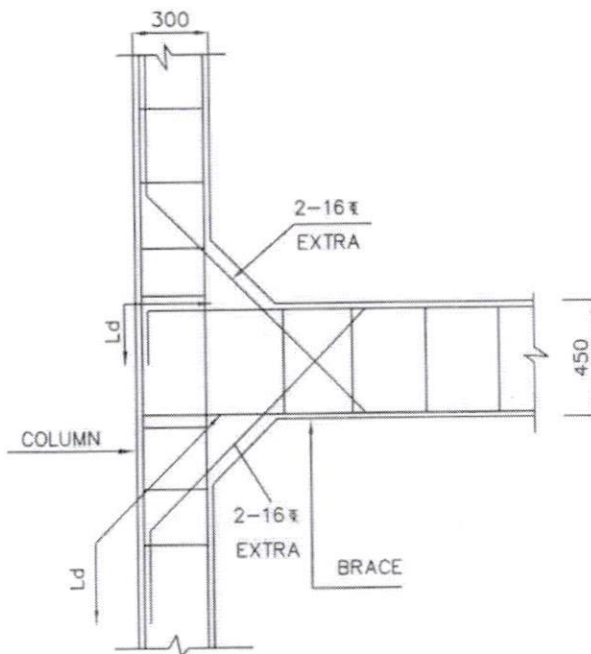
SCHEME:
90KL O.H.S.R 12.90m stg
DRG NO:



SECTION OF COLUMN



SECTION OF BRACE



COLUMN BRACE JUNCTION

CONDITIONS

1. Concrete (All members) : M30
2. Steel : Tor 40, Fe415
3. Clear cover
 - Side walls : 25MM
 - Top & Bottom slabs : 25MM
 - Beams : 25MM
 - Columns : 40MM
 - Footings : 50MM
4. All dimension are in 'mm' unless specified.
5. The steel should not be overlapped at the junction points
6. Not more than 1/3rd of the bars should be curtailed at a given section

Por
Asst Executive Engineer

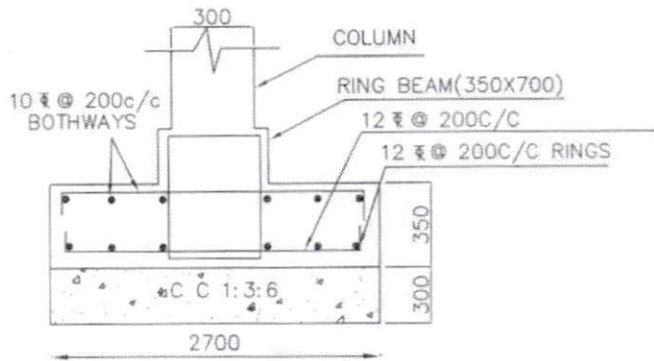
TJB
7.2.2019
Dy. Executive Engineer

//Approved//
Chief Engineer-II
RWS&S, Gollapudi
Vijayawada.

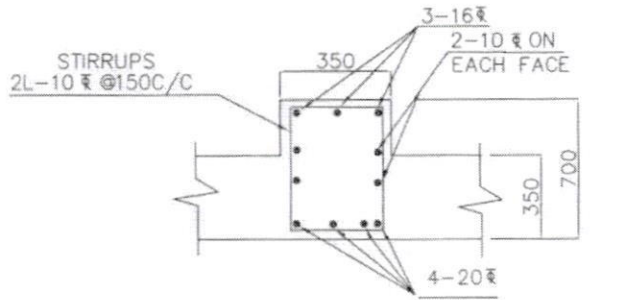
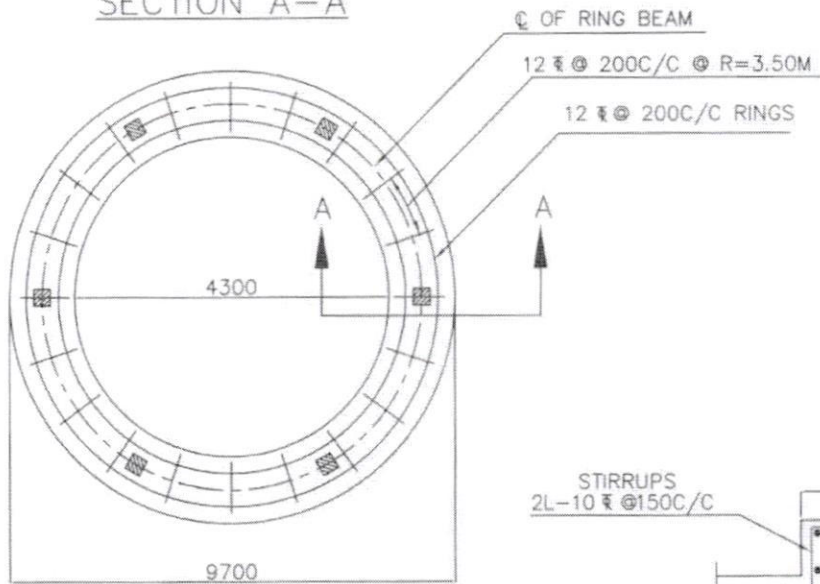
SCHEME:

90KL O.H.S.R 12.90m stg

DRG NO:



SECTION A-A



SECTION OF RING BEAM

BOTTOM REINFORCEMENT OF RING FOUNDATION


NOTE:

- | | | |
|---------------------------|------------|--|
| 1. Grade of concrete | : M30 | |
| Grade of steel | : Fe415 | |
| 2. Basic wind speed | : 200 KMPH | 6. For detailing of reinforcement IS Sp-34 shall be followed |
| 3. Depth below foundation | : 2.0M | 7. All dimensions are in mm unless specified |
| 4. Staging height | : 12.90 | |

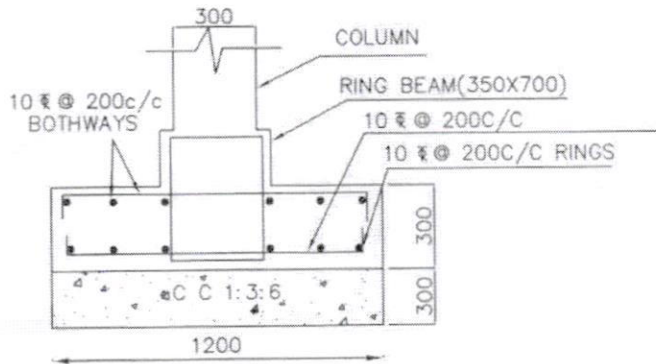
Clear height between the braces : 2.70
 No of stagings : 4
 5. Nos of 16 diagonal bars shall be provided at column brace junction


 Asst Executive Engineer

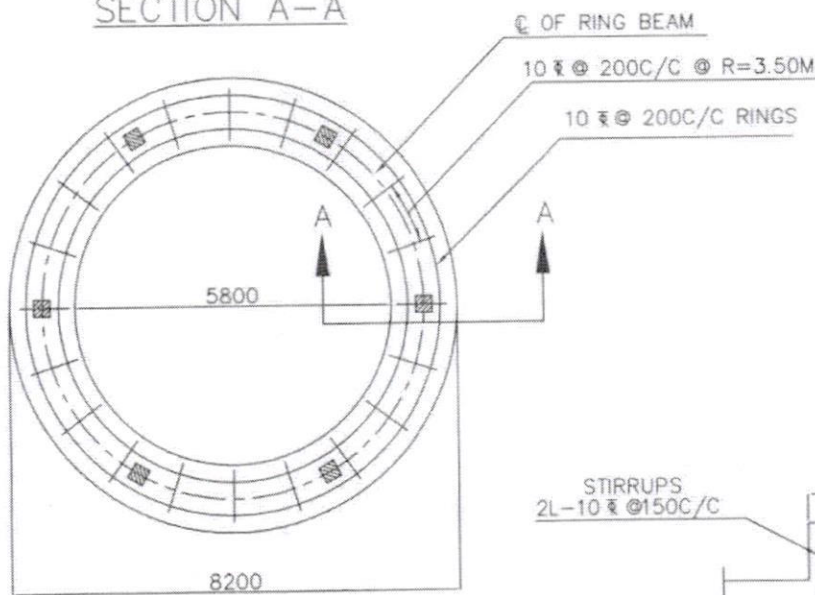
 Dy. Executive Engineer

// Approved //

 Chief Engineer-II
 RWS&S, Gollapudi
 Vijayawada.

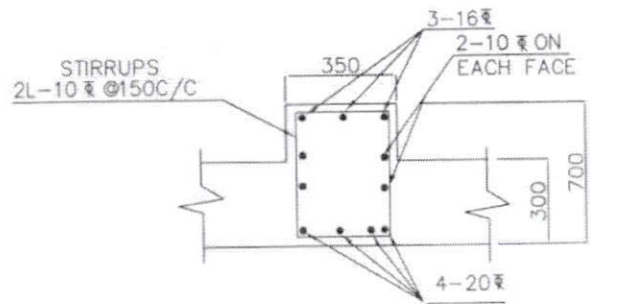
FOUNDATION DETAILS OF
90KL O.H.S.R 12.90m stg
SBC OF SOIL 5T/M ²



SECTION A-A



BOTTOM REINFORCEMENT OF RING FOUNDATION



SECTION OF RING BEAM

NOTE:

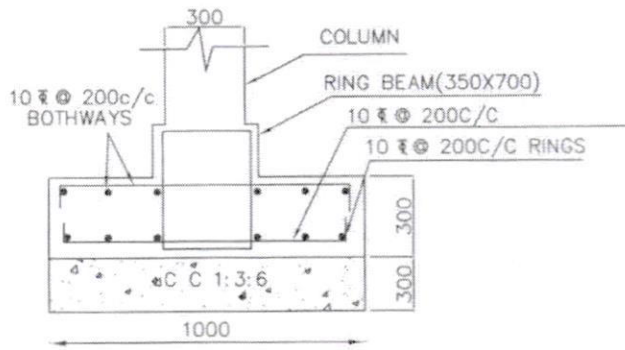
- | | | |
|---|------------|--|
| 1. Grade of concrete | : M30 | |
| Grade of steel | : Fe415 | |
| 2. Basic wind speed | : 200 KMPH | 6. For detailing of reinforcement IS Sp-34 shall be followed |
| 3. Depth below foundation | : 2.0M | 7. All dimensions are in mm unless specified |
| 4. Staging height | : 12.90 | |
| Clear height between the braces | : 2.70 | |
| No of stagings | : 4 | |
| 5. 8 Nos of 16 diagonal bars shall be provided at column brace junction | | |

POR
Asst Executive Engineer

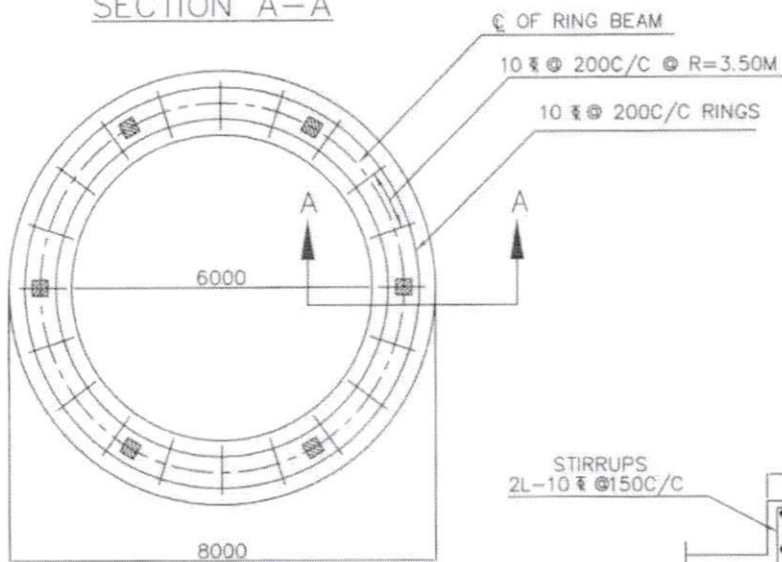
S.M.
2-2-2019
Executive Engineer

// Approved //
Chief Engineer-II
RWS&S, Gallapudi
Vijayawada.

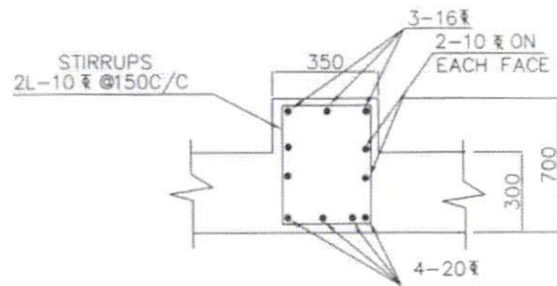
FOUNDATION DETAILS OF
90KL O.H.S.R 12.90m stg
SBC OF SOIL 10T/M²



SECTION A-A



BOTTOM REINFORCEMENT OF RING FOUNDATION



SECTION OF RING BEAM

NOTE:

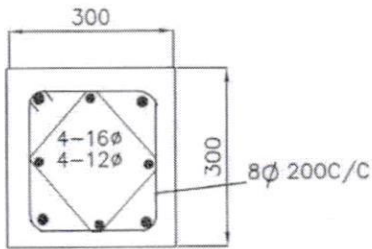
- | | | |
|---|------------|--|
| 1. Grade of concrete | : M30 | |
| Grade of steel | : Fe415 | |
| 2. Basic wind speed | : 200 KMPH | 6. For detailing of reinforcement IS Sp-34 shall be followed |
| 3. Depth below foundation | : 2.0M | 7. All dimensions are in mm unless specified |
| 4. Staging height | : 12.90 | |
| Clear height between the braces | : 2.70 | |
| No of stagings | : 4 | |
| 5. 8 Nos of 16 diagonal bars shall be provided at column brace junction | | |

Pol
Asst Executive Engineer

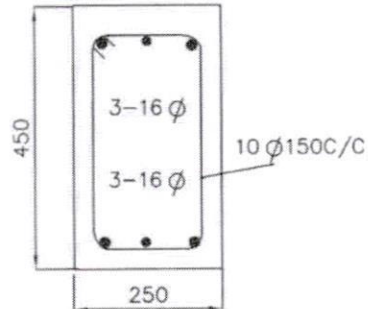
RSD
7.2.2019
Dy. Executive Engineer

Approved//
Chief Engineer-II
RWS&S, Gollapudi
Vijaywada.

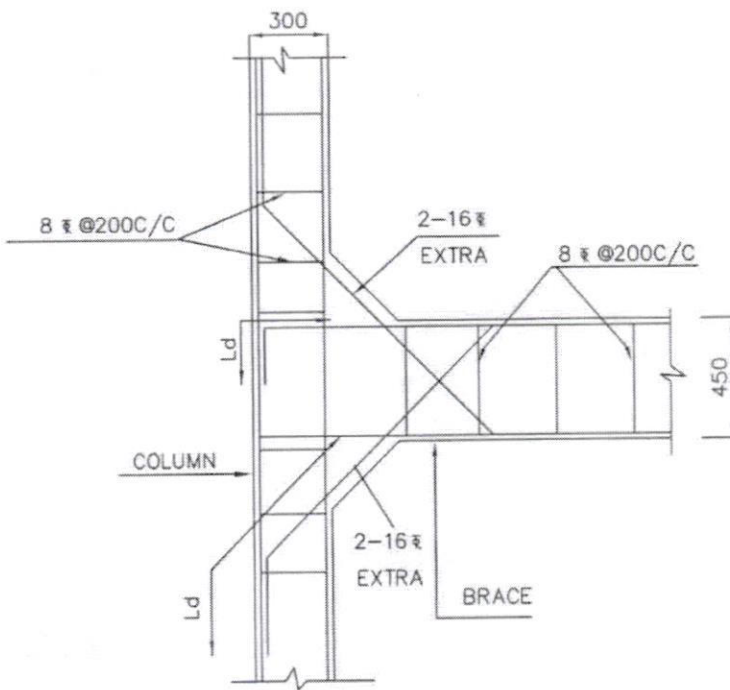
FOUNDATION DETAILS OF
90KL O.H.S.R 12.90m stg
SBC OF SOIL $\geq 15T/M^2$



SECTION OF COLUMN



SECTION OF BRACE



COLUMN BRACE JUNCTION

CONDITIONS

1. Concrete (All members) : M30
2. Steel : Tor 40, Fe415
3. Clear cover
 - Side walls : 25MM
 - Top & Bottom slabs : 25MM
 - Beams : 25MM
 - Columns : 40MM
 - Footings : 50MM
4. All dimension are in 'mm' unless specified.
5. The steel should not be overlapped at the junction points
6. Not more than 1/3rd of the bars should be curtailed at a given section

// Approved //

BK

Asst Executive Engineer

7-2-2019

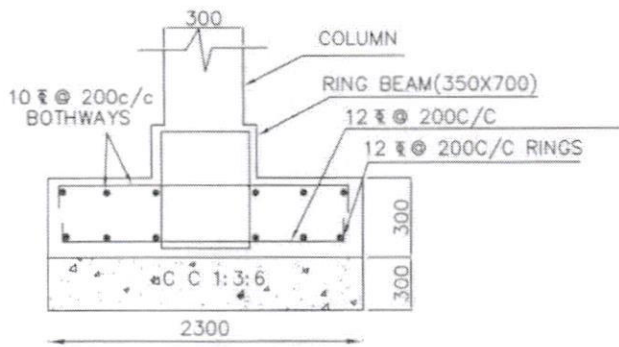
Dy. Executive Engineer

Chief Engineer-II
RWS&S, Gollapudi
Vijayawada.

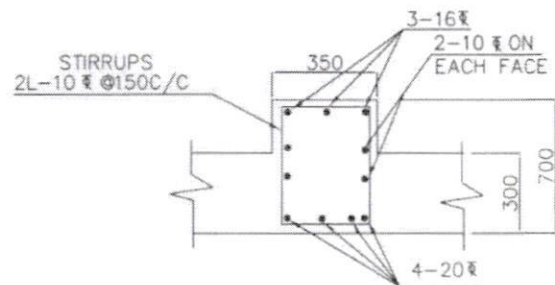
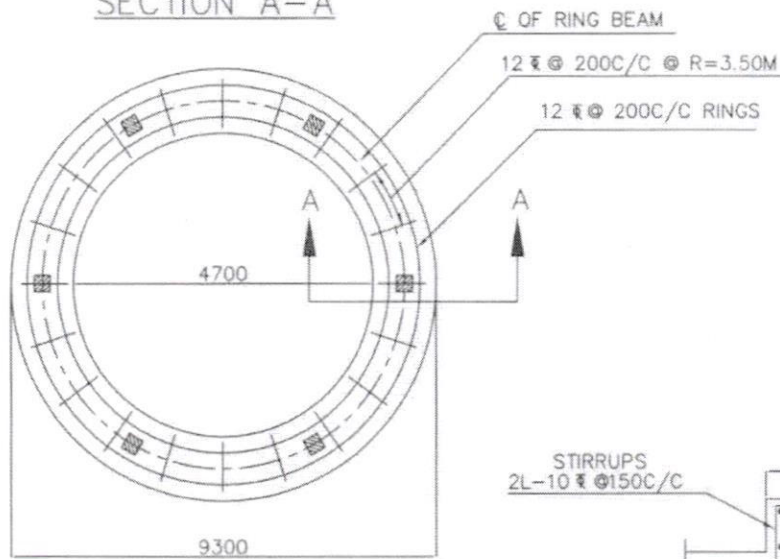
SCHEME:

90KL O.H.S.R 12.90m stg

DRG NO:



SECTION A-A



SECTION OF RING BEAM

BOTTOM REINFORCEMENT OF RING FOUNDATION

NOTE:

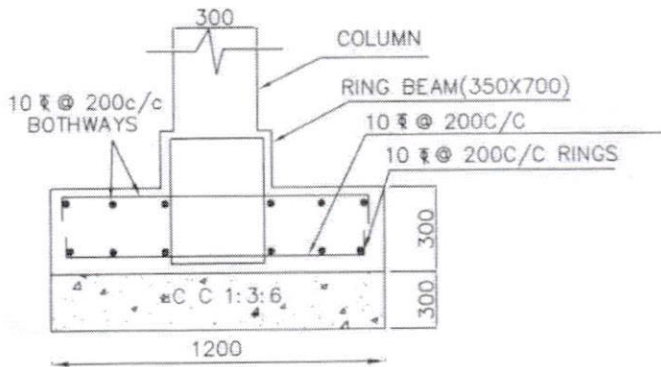
- | | | |
|---|------------|--|
| 1. Grade of concrete | : M30 | |
| Grade of steel | : Fe415 | |
| 2. Basic wind speed | : 150 KMPH | |
| 3. Depth below foundation | : 2.0M | |
| 4. Staging height | : 12.90 | |
| Clear height between the braces | : 2.70 | |
| No of stagings | 4 | |
| 5. Nos of 16 diagonal bars shall be provided at column brace junction | | |
| | | 6. For detailing of reinforcement IS Sp-34 shall be followed |
| | | 7. All dimensions are in mm unless specified |

Por
Asst Executive Engineer

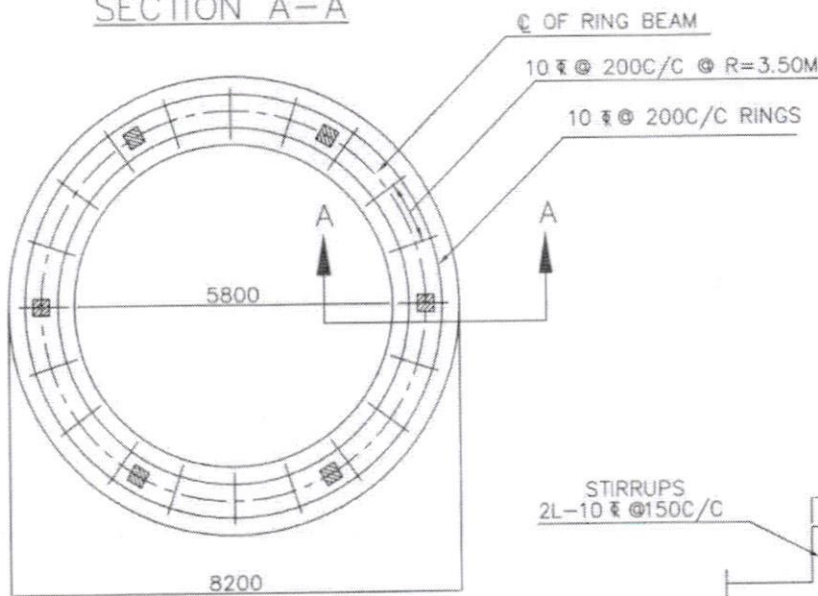
RSD
7-2-2019
Dy. Executive Engineer

// Approved //
Chief Engineer-II
RWS&S, Gollapudi
Vijayawada.

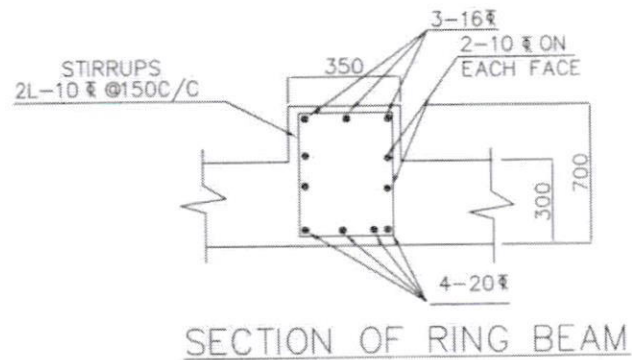
FOUNDATION DETAILS OF
90KL O.H.S.R 12.90m stg
SBC OF SOIL 5T/M ²



SECTION A-A



BOTTOM REINFORCEMENT OF RING FOUNDATION



SECTION OF RING BEAM

NOTE:

- | | | |
|---|------------|--|
| 1. Grade of concrete | : M30 | |
| Grade of steel | : Fe415 | |
| 2. Basic wind speed | : 150 KMPH | 6. For detailing of reinforcement |
| 3. Depth below foundation | : 2.0M | IS Sp-34 shall be followed |
| 4. Staging height | : 12.90 | 7. All dimensions are in mm unless specified |
| Clear height between the braces | : 2.70 | |
| No of stagings | 4 | |
| 5. 8 Nos of 16 diagonal bars shall be provided at column brace junction | | |

Asst Executive Engineer Dy. Executive Engineer

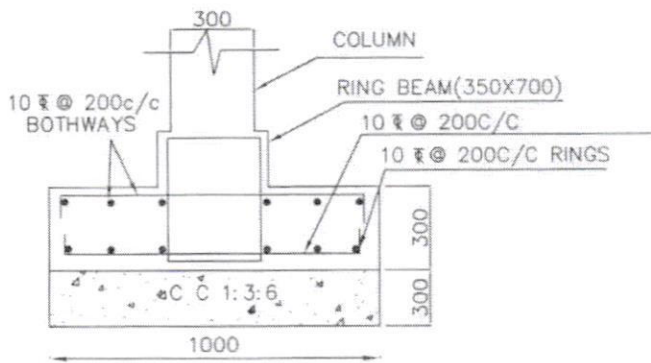
// Approved //

Chief Engineer-II
RWS&S, Gollapudi
Vijayawada.

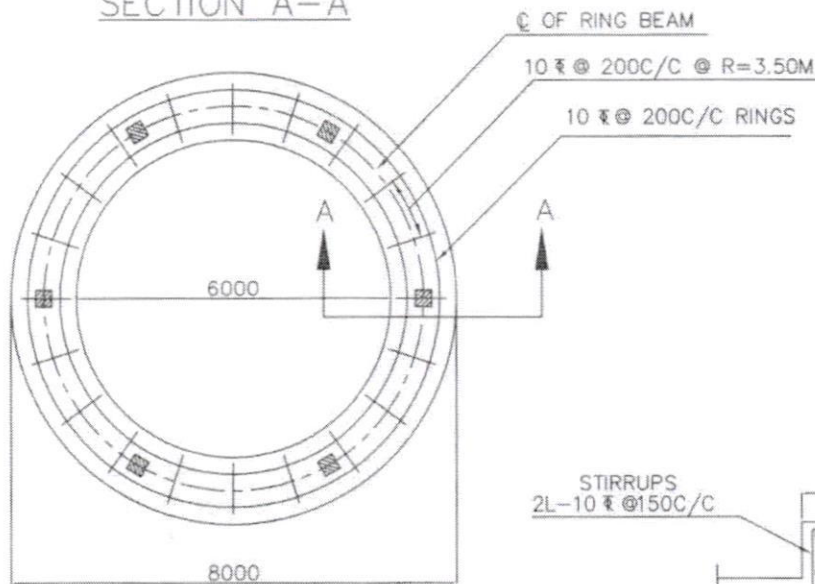
FOUNDATION DETAILS OF

90KL O.H.S.R 12.90m stg

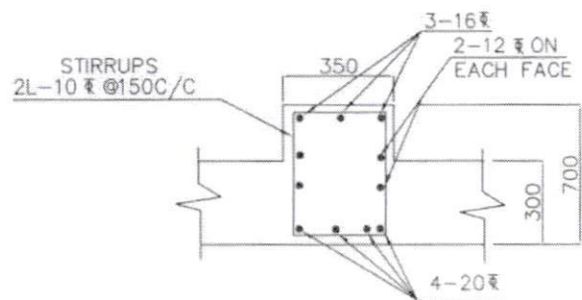
SBC OF SOIL 10T/M²



SECTION A-A



BOTTOM REINFORCEMENT OF RING FOUNDATION



SECTION OF RING BEAM

NOTE:

- | | | |
|---|------------|--|
| 1. Grade of concrete | : M30 | |
| Grade of steel | : Fe415 | |
| 2. Basic wind speed | : 150 KMPH | |
| 3. Depth below foundation | : 2.0M | 6. For detailing of reinforcement IS Sp-34 shall be followed |
| 4. Staging height | : 12.90 | 7. All dimensions are in mm unless specified |
| Clear height between the braces | : 2.70 | |
| No of stagings | : 4 | |
| 5. 8 Nos of 16 diagonal bars shall be provided at column brace junction | | |

Poh
Asst Executive Engineer

P2M
Dy. Executive Engineer
7.2.2019

// Approved //
Chief Engineer-II
RWS&S, Gollapudi
Vijayawada.

FOUNDATION DETAILS OF

90KL O.H.S.R 12.90m stg

SBC OF SOIL $\geq 15T/M^2$