

INTAKEWELL CUM PUMP HOUSE

S.B.C  $\geq 10t/m^2$

CONCRETE - M30

Provide sand bed-300 thick

//Approved//

*Pos*

Asst Executive Engineer

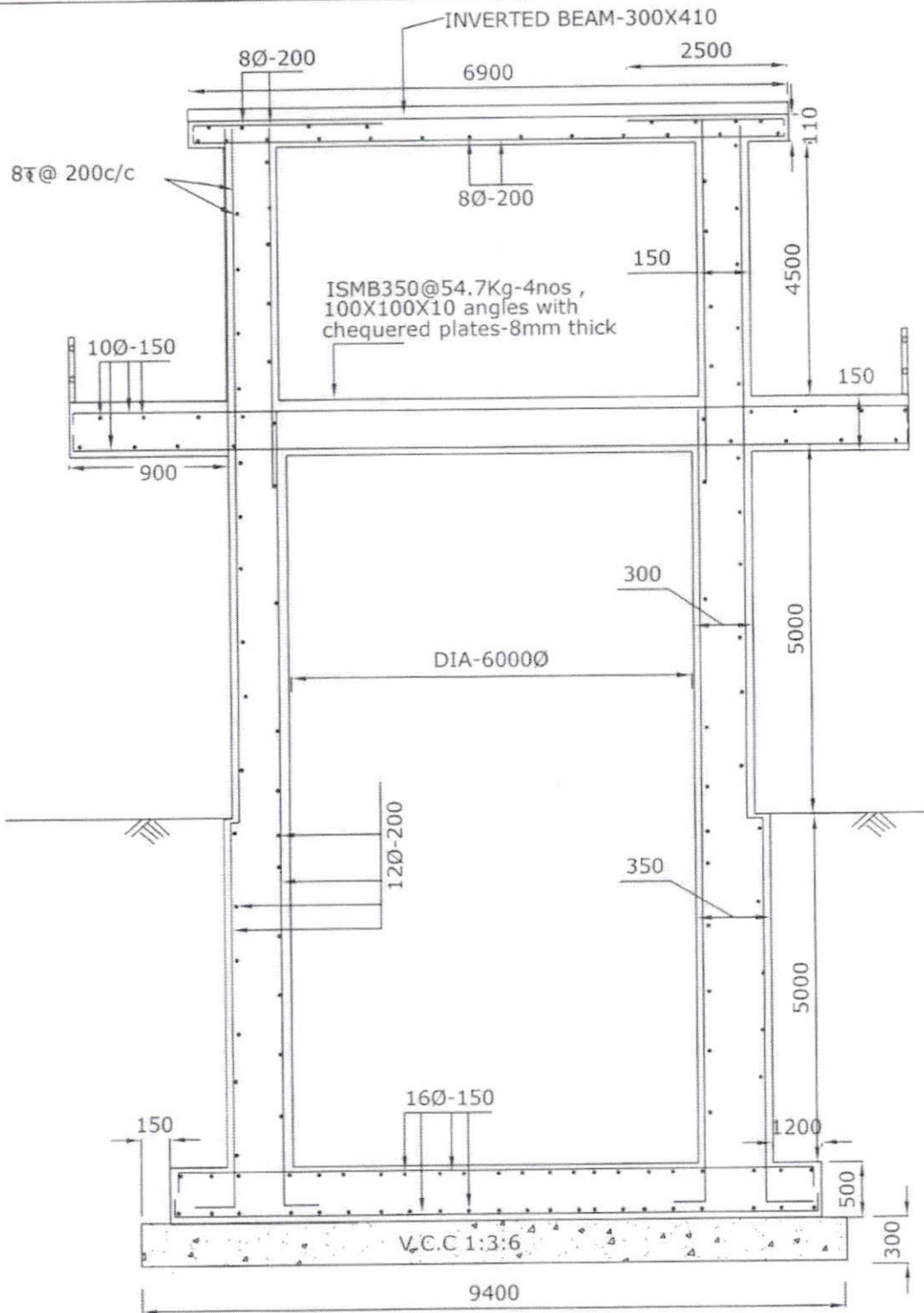
*RWS*  
27-2-19

Dy. Executive Engineer

Chief Engineer-II  
RWS&S, Gollapudi  
Vijayawada.

SCHEME:

DRGNO:1



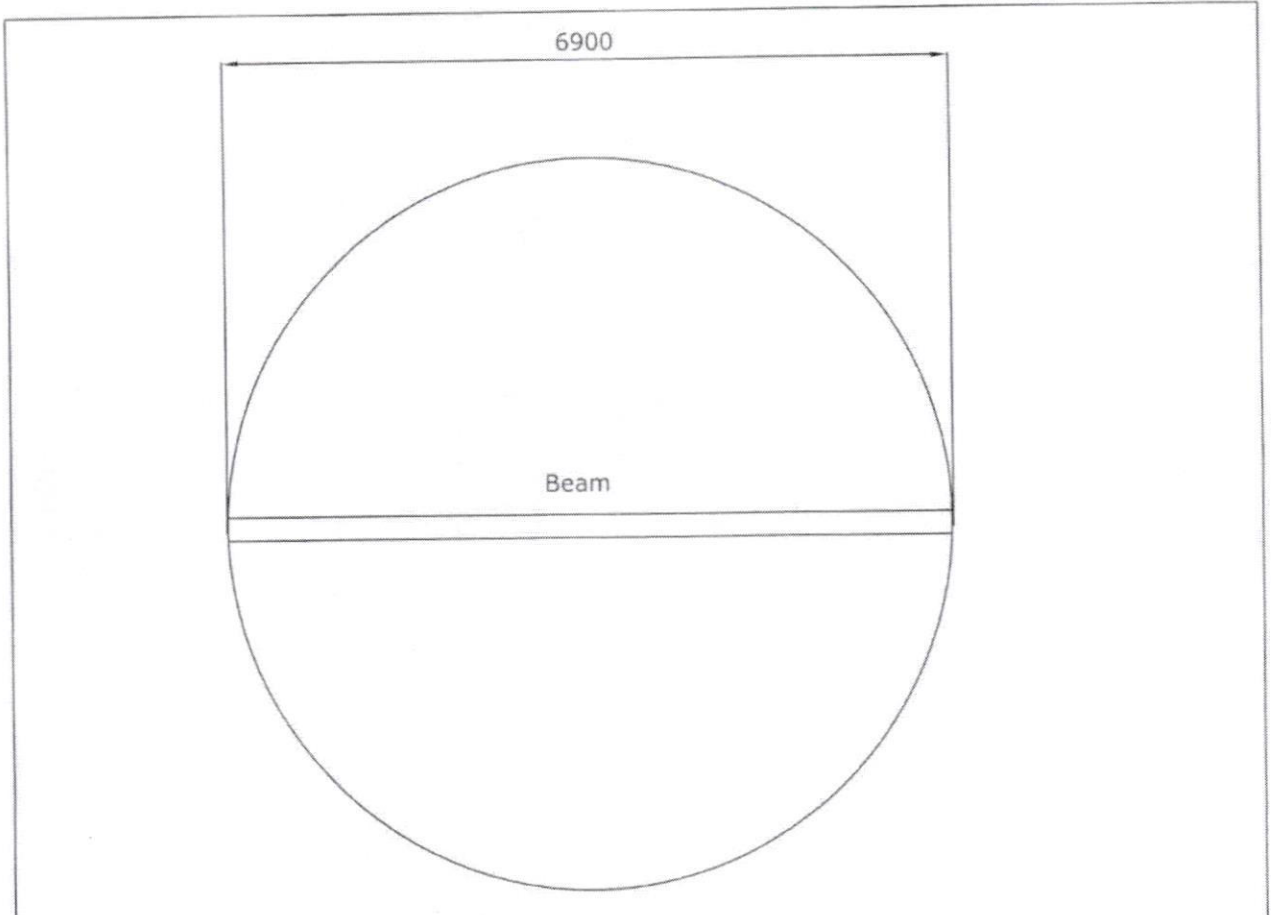
INTAKEWELL CUM PUMP HOUSE

S.B.C  $\geq 5t/m^2$   
 CONCRETE - M30  
 Provide sand bed-300 thick

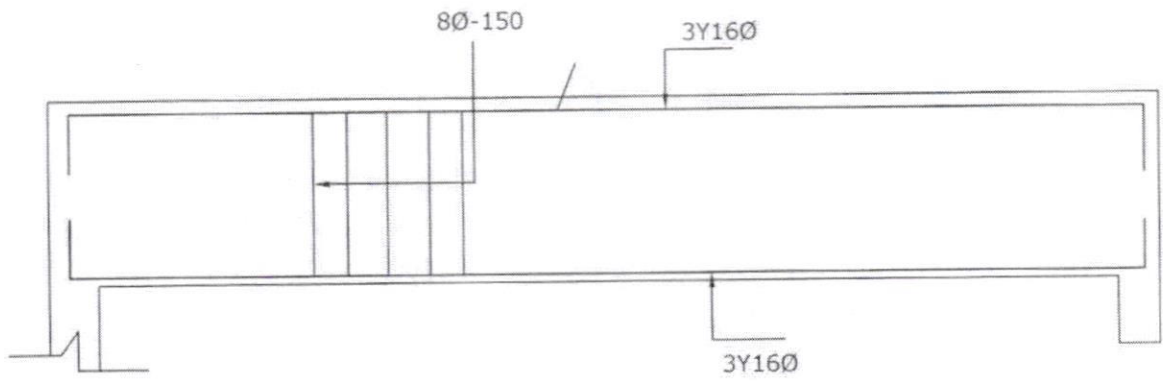
*BR*  
 Asst Executive Engineer  
*RSD*  
 Dy. Executive Engineer

//Approved//  
*[Signature]*  
 Chief Engineer-II  
 RWS&S, Gollapudi  
 Vijayawada.


SCHEME:  
 DRGNO:1

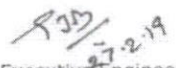


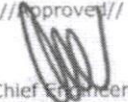
PLAN OF TOP SLAB



INVERTED BEAM (300X410)

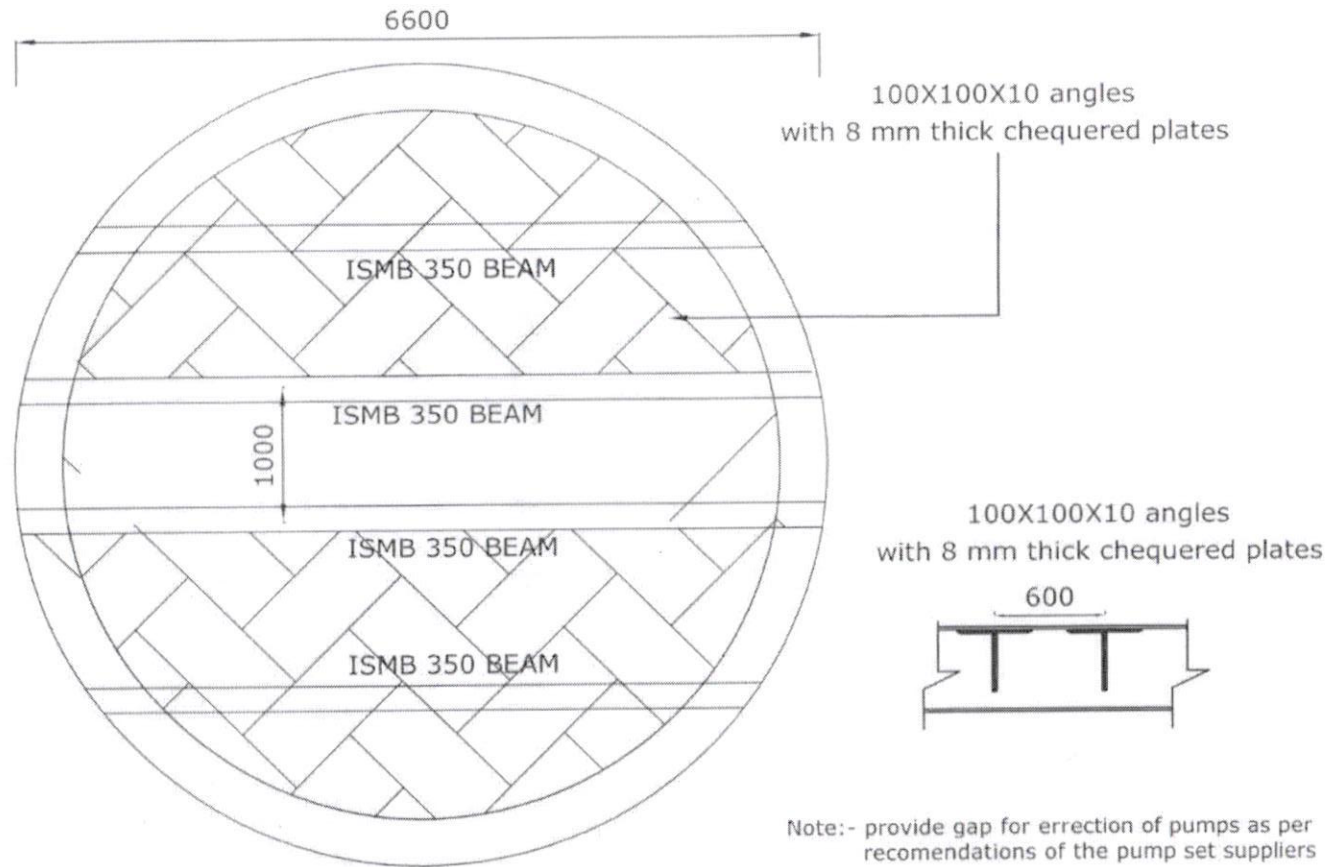
  
 Asst Executive Engineer

  
 Dy. Executive Engineer

  
 Chief Engineer-II  
 RWS&S, Gollapudi  
 Vijayawada.

SCHEME:
DRGNO:2

127



PLAN OF FLOOR SLAB

*Por*  
Asst Executive Engineer

*RSD*  
27.2.19  
Dy. Executive Engineer

//Approved//  
*[Signature]*  
Chief Engineer-II  
RWS&S, Gollapudi  
Vijayawada.

SCHEME:
DRGNO:4