

INFILTRATION WELL

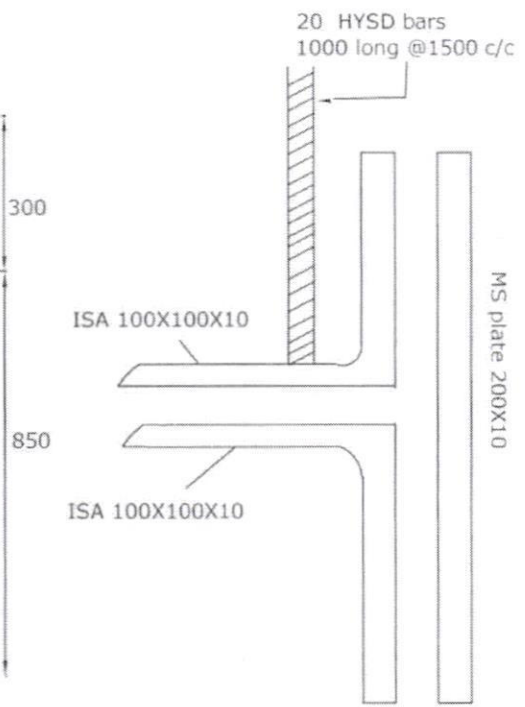
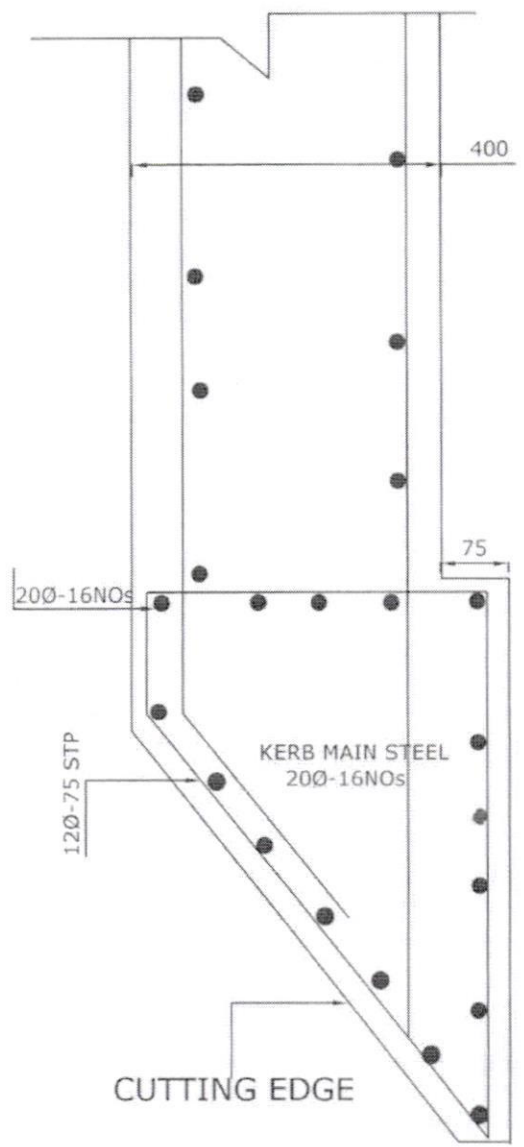
PUR
Asst Executive Engineer

933
27-2-15
Dy. Executive Engineer

Approved//
[Signature]
Chief Engineer-II
RWS&S, Gollapudi
Vijayawada.

SCHEME:
LOCATION:
DRGNO:

KERB DETAILS



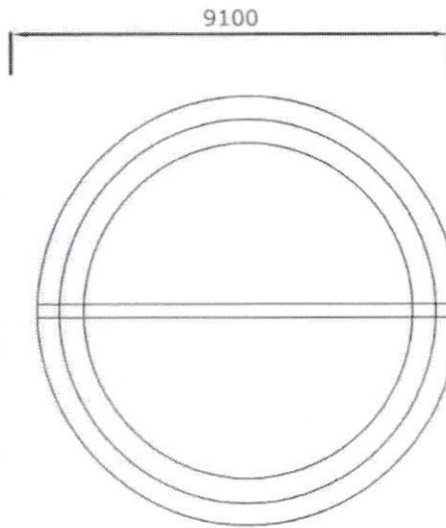
PGR
Asst Executive Engineer

RSD
27.2.19
Dy. Executive Engineer

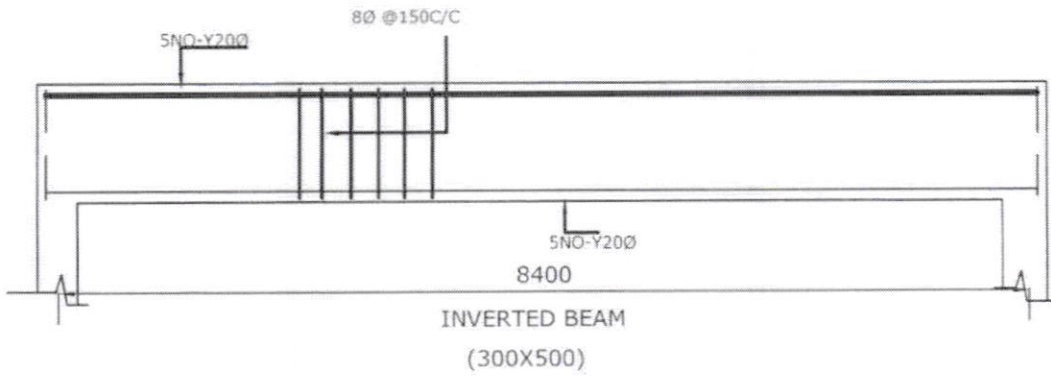
//Approved//
[Signature]
Chief Engineer-II
RWS&S, Gollapudi
Vijayawada.

NOTE:
Concrete mix-M30
Steel-Fe415
All dimensions are in mm.
Reinforcement details as per IS SP34

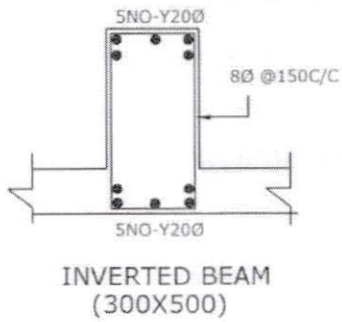
SCHEME:
LOCATION:
DRGNO:



PLAN OF TOP SLAB



INVERTED BEAM
(300X500)



INVERTED BEAM
(300X500)

PUR
Asst Executive Engineer

907
27-2-19
Dy. Executive Engineer

// Approved //
[Signature]
Chief Engineer-II
RWS&S, Gollapudi
Vijayawada.

SCHEME:

LOCATION:

DRGNO: