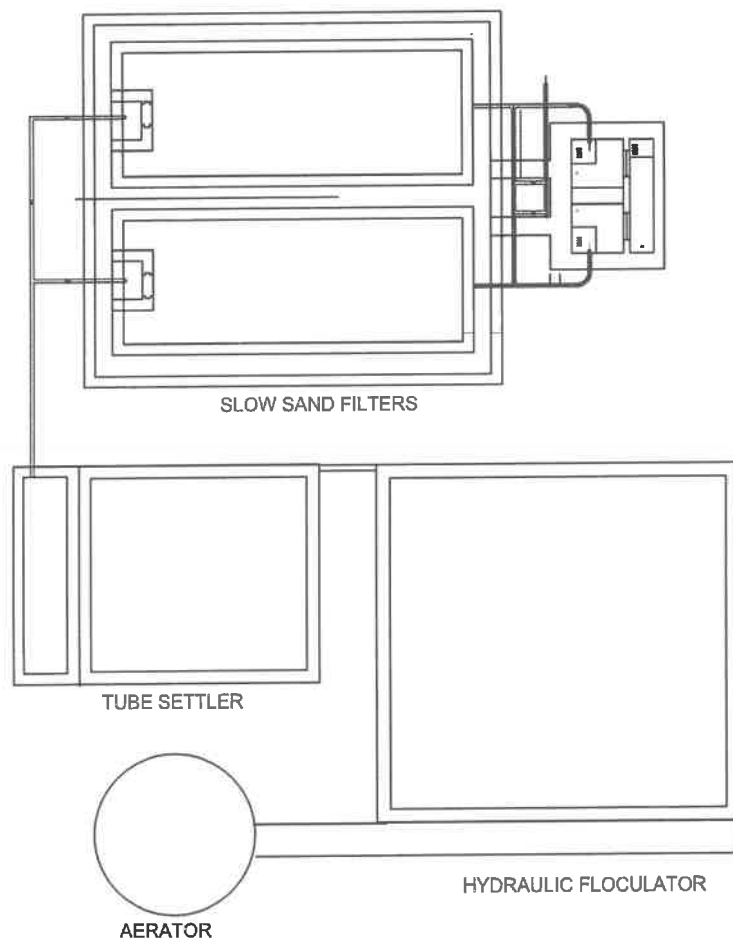
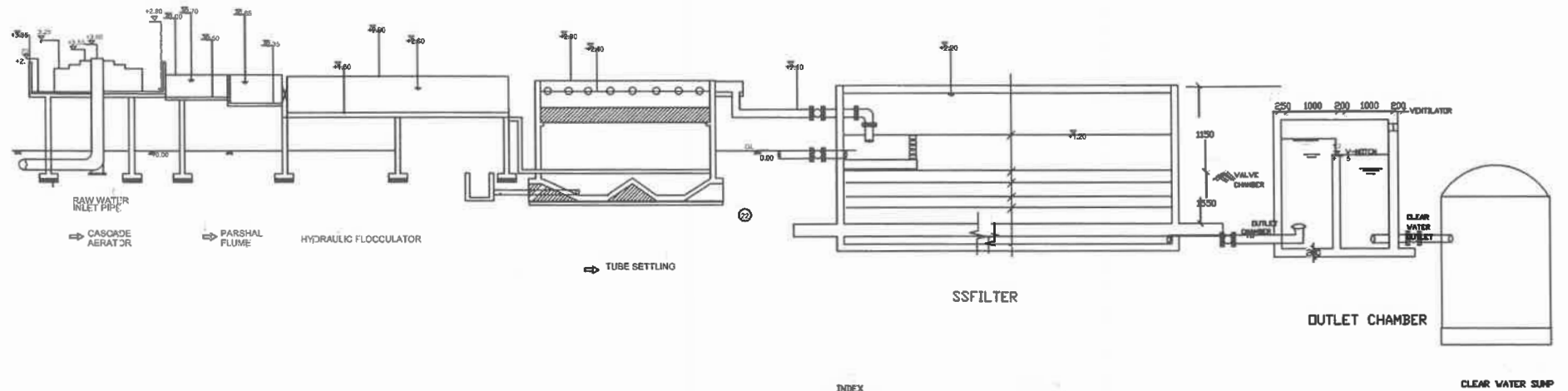


PLAN OF SLOW SAND FILTERS



36

FLOW DIAGRAM FOR SLOW SAND FILTER WITH FREE TREATMENT UNITS



- INDEX**
- | | |
|----------------------|------------------|
| 1. FREEBOARD | 4. FINE SAND |
| 2. SUPERNATANT WATER | 5. GRAVEL GRAD |
| 3. COURSE SAND | 6. UNDER DRAIN |
| | 7. CENTRAL DRAIN |